

PLEASE CHECK WWW.MOLEX.COM FOR LATEST PART INFORMATION

Part Number: [0475340001](#)
Status: **Active**
Overview: [battery connectors](#)
Description: 2.00mm (.079") Pitch L-Cap Battery Connector, SMT, 4 Circuits, PBT Housing, Lead-free

Documents:

[Drawing \(PDF\)](#) [RoHS Certificate of Compliance \(PDF\)](#)
[Product Specification PS-47534-001 \(PDF\)](#)

General

Product Family	PCB Headers
Series	47534
Application	Board-to-Board
Overview	battery connectors
Product Name	Battery Connector, Compression Connector

Physical

Breakaway	No
Circuits (Loaded)	4
Circuits (maximum)	4
Color - Resin	Black
Durability (mating cycles max)	10,000
First Mate / Last Break	No
Glow-Wire Compliant	No
Guide to Mating Part	No
Keying to Mating Part	None
Lock to Mating Part	None
Material - Metal	Copper Alloy
Material - Plating Mating	Gold
Material - Plating Termination	Nickel
Material - Resin	High Temperature Thermoplastic
Number of Rows	1
Orientation	Right Angle
PCB Locator	No
PCB Retention	None
Packaging Type	Tray
Pitch - Mating Interface (in)	0.079 In
Pitch - Mating Interface (mm)	2.00 mm
Pitch - Term. Interface (in)	0.079 In
Pitch - Term. Interface (mm)	2.00 mm
Plating min: Mating (µin)	30
Plating min: Mating (µm)	0.76
Polarized to Mating Part	No
Polarized to PCB	No
Shrouded	No
Stackable	No
Temperature Range - Operating	-40°C to +85°C
Termination Interface: Style	Surface Mount

Electrical

Current - Maximum per Contact	1.5A
Voltage - Maximum	200V (RMS)

Solder Process Data

Duration at Max. Process Temperature (seconds)	48
--	----

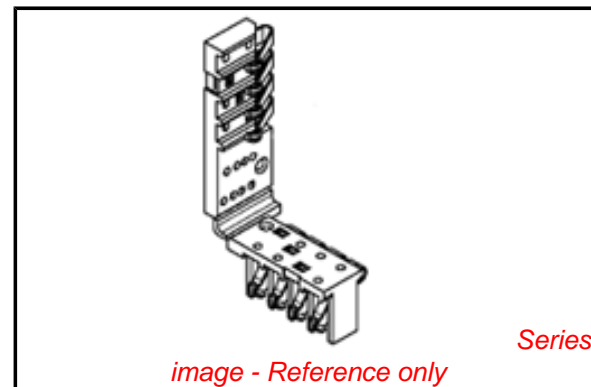


image - Reference only

EU RoHS

ELV and RoHS Compliant
REACH SVHC
 Not Reviewed
Halogen-Free Status

China RoHS



Need more information on product environmental compliance?

Email productcompliance@molex.com
 For a multiple part number RoHS Certificate of Compliance, [click here](#)

Please visit the [Contact Us](#) section for any non-product compliance questions.

Search Parts in this Series
[47534Series](#)

Material Info

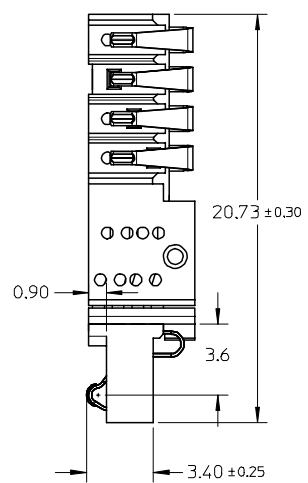
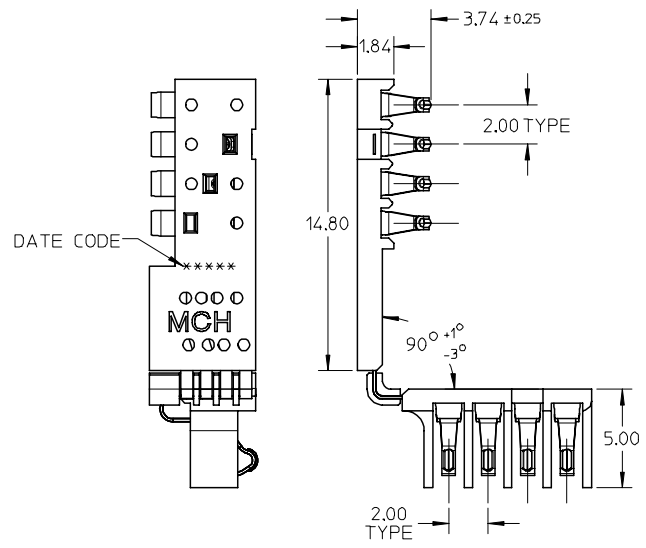
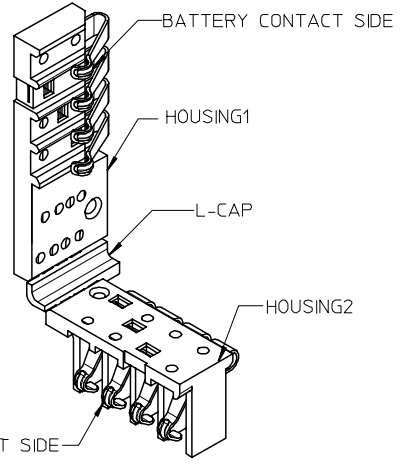
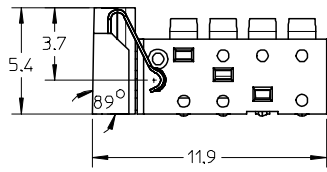
Reference - Drawing Numbers

Packaging Specification
Product Specification
Sales Drawing

PK-47534-001
PS-47534-001
SD-47534-001

This document was generated on 05/26/2010

PLEASE CHECK WWW.MOLEX.COM FOR LATEST PART INFORMATION



- NOTE:
- MATERIAL:
HOUSING1&2: LCP, UL 94V-0, COLOR IS BLACK
L-CAP: PBT(Polybutylene Terephthalate), UL 94V-0, COLOR IS BLACK
TERMINAL: COPPER ALLOY C17200 TM06, 0.15 mm
 - FINISH:
CONTACT AREA: 30 MICRO INCHES MIN GOLD PLATING OVER 50 MICRO INCHES MIN NICKEL
 - RECOMMENED WORKING RANGE AND FORCE:
BATTERY SIDE: 0.50mm/30gMIN, 1.00mm/102±30g, 1.25mm/165gMAX
PCB SIDE: 0.60mm/35gMIN, 0.80mm/65±30g, 1.00mm/120gMAX
 - PRODUCT SPECIFICATION: PS-47534-001
 - DATE CODE: * * * * * (5 DIGITS)

DAY	MONTH	YEAR
┌──┐	┌──┐	┌──┐
└──┘	└──┘	└──┘

NEW PRODUCT EC NO: SH2008-0184 DRWN: JYANG13 CHKD: YLZHU APPR: HWANG	DESCRIPTION 2007/11/19 2007/11/29	QUALITY SYMBOLS	GENERAL TOLERANCES (UNLESS SPECIFIED)	DIMENSION STYLE	SCALE	DESIGN UNITS	THIRD ANGLE PROJECTION																	
		$\nabla = 0$ $\triangle = 0$	<table border="1"> <tr> <th></th> <th>mm</th> <th>INCH</th> </tr> <tr> <td>4 PLACES</td> <td>± ---</td> <td>± ---</td> </tr> <tr> <td>3 PLACES</td> <td>± ---</td> <td>± ---</td> </tr> <tr> <td>2 PLACES</td> <td>± 0.2</td> <td>± ---</td> </tr> <tr> <td>1 PLACE</td> <td>± 0.3</td> <td>± ---</td> </tr> </table>		mm	INCH	4 PLACES	± ---	± ---	3 PLACES	± ---	± ---	2 PLACES	± 0.2	± ---	1 PLACE	± 0.3	± ---	MM ONLY	4:1	METRIC			
			mm	INCH																				
		4 PLACES	± ---	± ---																				
3 PLACES	± ---	± ---																						
2 PLACES	± 0.2	± ---																						
1 PLACE	± 0.3	± ---																						
DRAFT WHERE APPLICABLE MUST REMAIN WITHIN DIMENSIONS	<table border="1"> <tr> <td>DRAWN BY</td> <td>DATE</td> <td>TITLE</td> </tr> <tr> <td>YLZHU02</td> <td>2007/02/08</td> <td rowspan="2">SD DRAWING 4 PIN COMPRESSION BATTERY CONNECTOR</td> </tr> <tr> <td>CHECKED BY</td> <td>DATE</td> </tr> <tr> <td>XIXU</td> <td>2007/02/08</td> <td rowspan="2">MOLEX INCORPORATED</td> </tr> <tr> <td>APPROVED BY</td> <td>DATE</td> </tr> <tr> <td>JNCHEN</td> <td>2007/02/08</td> <td> </td> </tr> </table>	DRAWN BY	DATE	TITLE	YLZHU02	2007/02/08	SD DRAWING 4 PIN COMPRESSION BATTERY CONNECTOR	CHECKED BY	DATE	XIXU	2007/02/08	MOLEX INCORPORATED	APPROVED BY	DATE	JNCHEN	2007/02/08		<table border="1"> <tr> <td>MATERIAL NO.</td> <td>DOCUMENT NO.</td> <td>SHEET NO.</td> </tr> <tr> <td>475340001</td> <td>SD-47534-001</td> <td>1 OF 1</td> </tr> </table>	MATERIAL NO.	DOCUMENT NO.	SHEET NO.	475340001	SD-47534-001	1 OF 1
DRAWN BY	DATE	TITLE																						
YLZHU02	2007/02/08	SD DRAWING 4 PIN COMPRESSION BATTERY CONNECTOR																						
CHECKED BY	DATE																							
XIXU	2007/02/08	MOLEX INCORPORATED																						
APPROVED BY	DATE																							
JNCHEN	2007/02/08																							
MATERIAL NO.	DOCUMENT NO.	SHEET NO.																						
475340001	SD-47534-001	1 OF 1																						
A	REV	THIS DRAWING CONTAINS INFORMATION THAT IS PROPRIETARY TO MOLEX INCORPORATED AND SHOULD NOT BE USED WITHOUT WRITTEN PERMISSION																						