

PLEASE CHECK WWW.MOLEX.COM FOR LATEST PART INFORMATION

Part Number: [0433745001](#)
Status: **Active**
Overview: [sabre](#)
Description: Sabre™ Crimp Terminal, Female, With Tin (Sn) Plated Brass Contact, Double 20 AWG, Reel Packaged, without TPA, UL1007 or UL1015 Wire

Documents:

[Drawing \(PDF\)](#) [RoHS Certificate of Compliance \(PDF\)](#)

General

Product Family Crimp Terminals
 Series [43374](#)
 Crimp Quality Equipment Yes
 Overview [sabre](#)
 Product Literature Order No USA-113
 Product Name Sabre™

Physical

Durability (mating cycles max) 25
 Gender Female
 Material - Metal Brass
 Material - Plating Mating Tin
 Material - Plating Termination Tin
 Packaging Type Reel
 Plating min: Mating (µin) 20
 Plating min: Mating (µm) 0.50
 Plating min: Termination (µin) 20
 Plating min: Termination (µm) 0.50
 Termination Interface: Style Crimp or Compression
 Wire Insulation Diameter .071mm-.112mm
 Wire Size AWG 20+20
 Wire Size mm² N/A

Electrical

Current - Maximum per Contact 12A

Material Info

Reference - Drawing Numbers

Sales Drawing SD-43374-331

EU RoHS

**ELV and RoHS
Compliant
REACH SVHC
Not Reviewed
Halogen-Free
Status
Not Reviewed**

China RoHS



Need more information on product environmental compliance?

Email productcompliance@molex.com
 For a multiple part number RoHS Certificate of Compliance, [click here](#)

Please visit the [Contact Us](#) section for any non-product compliance questions.

Search Parts in this Series

[43374Series](#)

Mates With

[43178 Male Crimp Terminals](#)

Use With

[44441 Receptacle Housings](#)

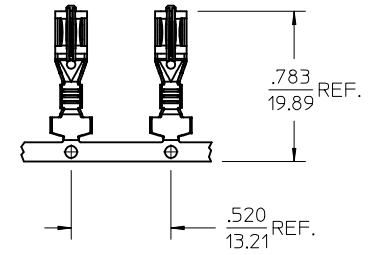
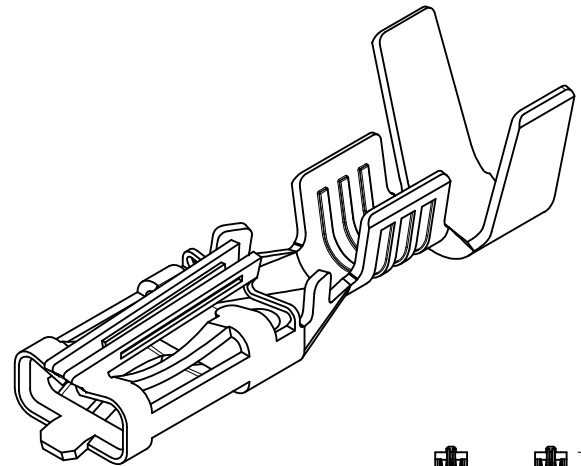
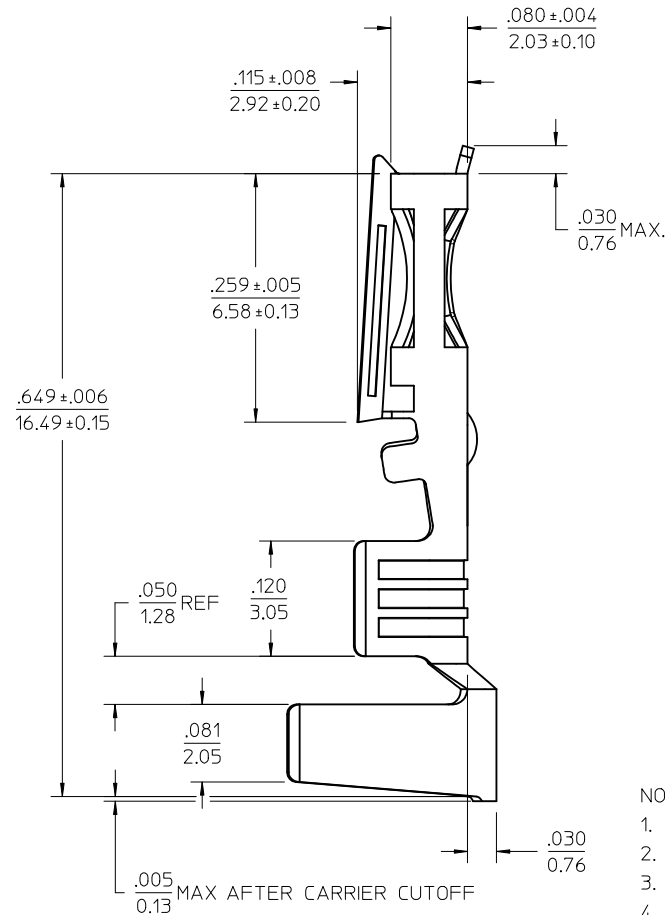
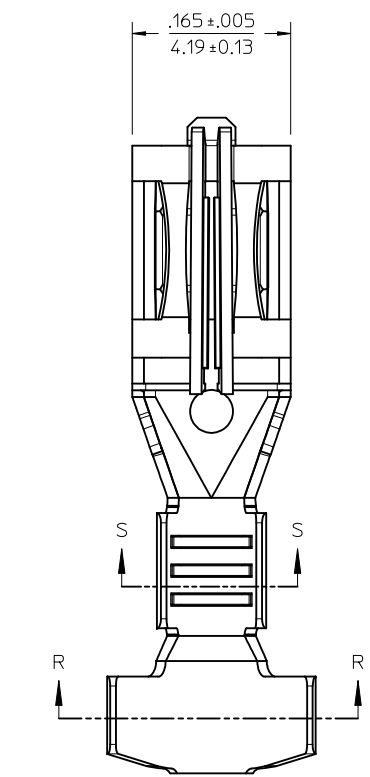
Application Tooling | FAQ

Tooling specifications and manuals are found by selecting the products below. Crimp Height Specifications are then contained in the Application Tooling Specification document.

Global

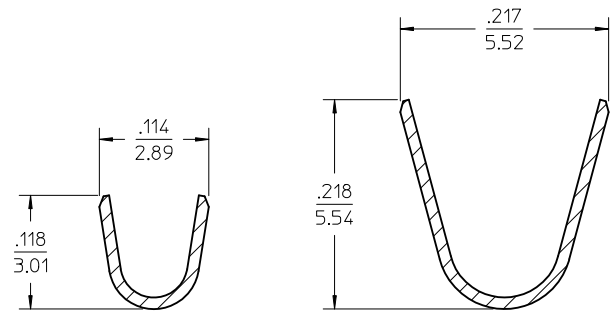
Description	Product #
Fine Adjust Applicator for Sabre™ Flat Blade Crimp Terminal	0639012900
Fine Adjust Applicator for Sabre™ Flat Blade Crimp Terminal	0639013000
T2 Terminator for Sabre™ Flat Blade Crimp Terminal	0639112900
T2 Terminator Tooling Die for Sabre™ Flat Blade Crimp Terminal	0639113000

PLEASE CHECK WWW.MOLEX.COM FOR LATEST PART INFORMATION



CARRIER STRIP PROGRESSION

- NOTES:
1. MATERIAL: BRASS
 2. FINISH: 20 MICRORINCH / (0.5 MICROMETER) MIN. PREPLATED HOT TIN DIP FINISH.
 3. PRODUCT SPECIFICATION: PS-44441-001.
 4. PACKAGING: TERMINALS WOUND ON 24" REELS WITH PAPER INTERLEAF, 3000 PER REEL.
 5. THIS TERMINAL INTENDED FOR USE WITH TWO 20 AWG STRANDED WIRES, UL STYLE 1007 OR 1015.
 6. TERMINAL MATES TO .125/3.18 WIDE X .020/0.51 THICK FLAT BLADE TERMINALS. MATING TERMINAL: 43178 SERIES
 7. SEE PRODUCT SPECIFICATION FOR INSULATOR HOUSINGS USED WITH TERMINAL.



SECTION R-R
INSULATION CRIMP

REL 2X20 VERSION EC NO: UCP2010-1804 DRAWN: BWIRKUS 2010/02/11 CHKD: BWIRKUS 2010/02/11 APPR: BWIRKUS 2010/02/15	QUALITY SYMBOLS ▽=0 ▽=0 ▽=0	GENERAL TOLERANCES (UNLESS SPECIFIED)		DIMENSION STYLE IN/MM		SCALE 10:1	DESIGN UNITS INCH	THIRD ANGLE PROJECTION	
		4 PLACES ± --- ± ---	3 PLACES ± --- ± .010	2 PLACES ± 0.25 ± .014	1 PLACE ± 0.35 ± ---	DRAWN BY BWIRKUS	DATE 1-25-2010	TITLE TERMINAL, FEM, 2X20 AWG FOR .125/(3.18) WIDE TAB W/O TPA; UL1007, 1015	
A	DESCRIPTION	ANGULAR ±1/2°		APPROVED BY APATEL		DATE 1-25-2010	MATERIAL NO. 433745001		
		DRAFT WHERE APPLICABLE MUST REMAIN WITHIN DIMENSIONS		MATERIAL NO. 433745001		DATE 1-25-2010	DOCUMENT NO. SD-43374-331		
				SIZE C		THIS DRAWING CONTAINS INFORMATION THAT IS PROPRIETARY TO MOLEX INCORPORATED AND SHOULD NOT BE USED WITHOUT WRITTEN PERMISSION			