

PLEASE CHECK WWW.MOLEX.COM FOR LATEST PART INFORMATION

Part Number: [0357254810](#)
Status: **Active**
Description: Flag Quick Disconnect, Female, for 14-18 AWG (2.00-0.80mm²) Wire, Metal Strip, Tab 6.35 by 0.81mm (.250 by .032"), Open Barrel, Pre Tin Plating

Documents:

[Drawing \(PDF\)](#) [RoHS Certificate of Compliance \(PDF\)](#)
[Product Specification PS-35165-003 \(PDF\)](#)

Agency Certification

UL E92853

General

Product Family Quick Disconnects
 Series [35725](#)
 Crimp Quality Equipment Yes
 Product Name N/A
 Type Quick Disconnect

Physical

Barrel Type Open
 Gender Female
 Glow-Wire Compliant No
 Insulation None
 Lock to Mating Part Yes
 Material - Metal Brass
 Material - Plating Mating Tin
 Material - Plating Termination Tin
 Orientation Flag
 Packaging Type Reel
 Plating min: Mating (µin) 32.00
 Plating min: Mating (µm) 0.800
 Plating min: Termination (µin) 32.00
 Plating min: Termination (µm) 0.80
 Polarized to Mating Part No
 Tab Thickness 0.81mm (.032")
 Tab Width 6.35mm (.250")
 Temperature Range - Operating -40°C to +105°C
 Wire Insulation Diameter 2.80-3.80mm (.110-.150")
 Wire Size AWG 14, 16, 18
 Wire Size mm² 0.80 - 2.00

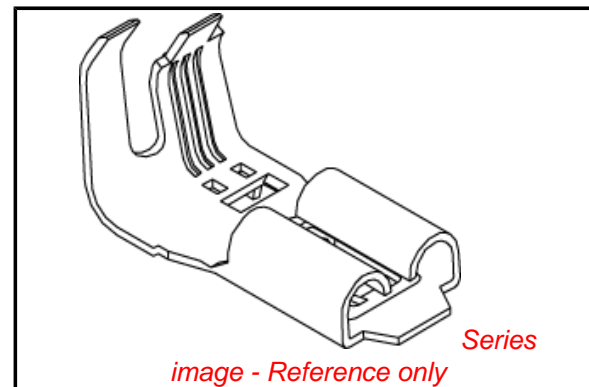
Electrical

Voltage - Maximum 300V

Material Info

Reference - Drawing Numbers

Product Specification PS-35165-003
 Sales Drawing SD-35165-0100, SD-35725-4810



EU RoHS

ELV and RoHS Compliant
REACH SVHC Contains SVHC: No
Halogen-Free Status

China RoHS



Need more information on product environmental compliance?

Email productcompliance@molex.com
 For a multiple part number RoHS Certificate of Compliance, [click here](#)

Please visit the [Contact Us](#) section for any non-product compliance questions.

Search Parts in this Series

[35725Series](#)

Use With

6.35mm (.250") Tab|35165-010* housing

DO NOT SCALE DRAWING
DIMENSION IN METRIC

DWG. NO.
SD 35165-0100

SIMILAR ITEM

PROJECT NO.

8 7 6 5 4 3 2 1

F

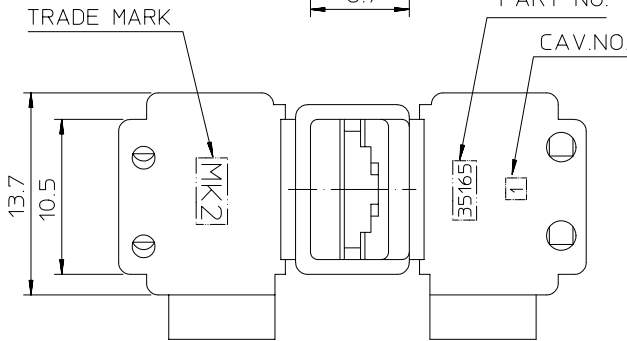
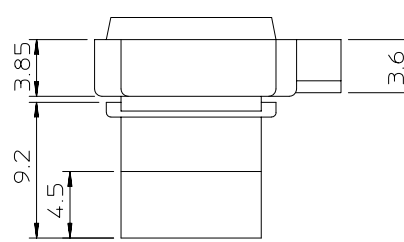
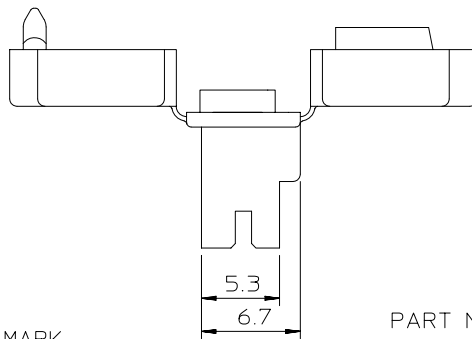
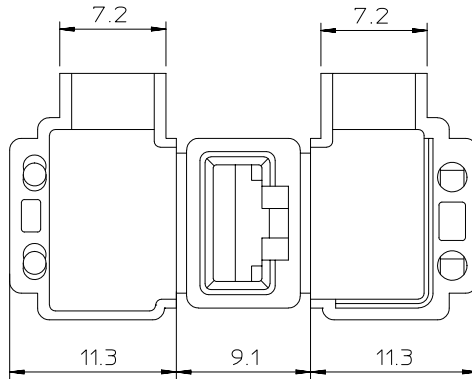
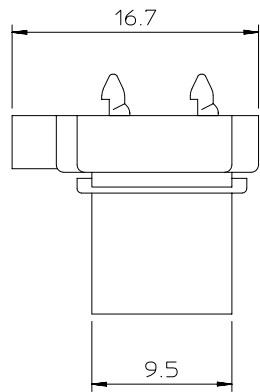
E

D

C

B

A



MATERIAL NO.	ENG NO.	COLOR
351650100	35165-0100	NATURAL
351650102	35165-0102	RED

NOTES

- MATERIAL: NYLON66 UL94V-2
- APPLICABLE TERMINAL: 35725-4810

EC NO. KOR2000-0088 DRWN: C.B.CHIN 001106 CHK: APPR:	QUALITY SYMBOLS MAJOR - CRITICAL -	GENERAL TOLERANCES: (UNLESS SPECIFIED)		SCALE 3:1	DESIGN UNITS <input checked="" type="checkbox"/> mm <input type="checkbox"/> INCH	THIRD ANGLE PROJECTION	DIMENSIONS: <input type="checkbox"/> mm <input type="checkbox"/> INCH <input checked="" type="checkbox"/> mm ONLY		SHT REV
		4 PLACES ±0.	3 PLACES ±0.	2 PLACES ±0.	1 PLACE ±0.3	DRAWN BY & DATE W.Y.YANG 95.125	TITLE: 250 SAFE LOCK FLAG HOUSING		
B	REV	DRAFT WHERE APPLICABLE MUST REMAIN WITHIN DIMENSIONS		ANGULAR: ± °	APPROVED BY & DATE C.W.LEE 95.125	MOLEX INCORPORATED KOREA			
		CAD FILENAME SD 35165-0100.MI		MATERIAL NO. SEE TABLE	DRAWING NO. SD 35165-0100	SHEET NO 1of1	THIS DRAWING CONTAINS INFORMATION THAT IS PROPRIETARY TO MOLEX INCORPORATED AND SHOULD NOT BE USED WITHOUT WRITTEN PERMISSION.		SIZE B

8 7 6 5 4 3 2 1

MX-A3

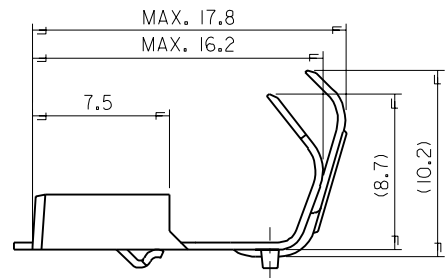
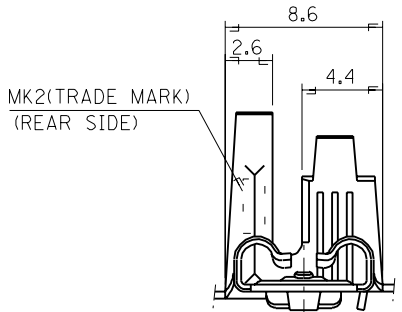
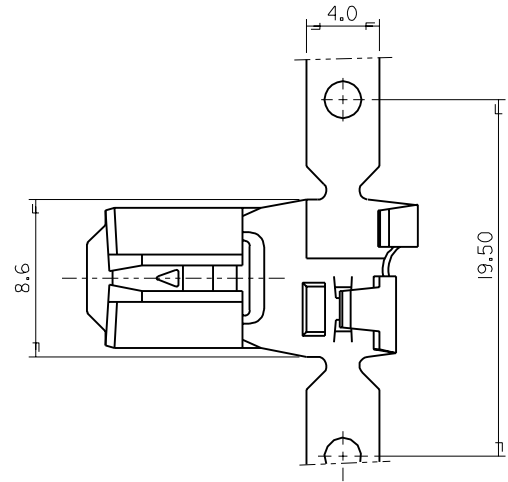
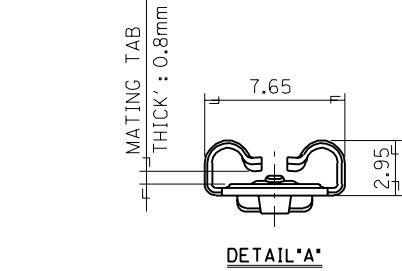
8 7 6 5 4 3 2 1

PROJECT NO. **SD 35725-4810**

SIMILAR ITEM **---**

EDP NO. **---**

ENG. NO. **---**



NOTES

1. MATERIAL : BRASS, 0.4mm Thk'
2. FINISH : PRE-TIN PLATING
3. MATING TAB THICKNESS : 0.8mm
4. APPLICABLE HOUSING: 35165-010*

WIRE RANGE AWG #18-#14					MATERIAL SEE NOTES	molex MOLEX-KOREA CO.,LTD.	
INSULATION RANGE 2.8-3.8mm DIA.					GENERAL TOLERANCE DIMENSION : +0.3 ANGLE :	DRAWN BY W.Y.YANG	CHK'D BY
DIE FEED: ---	A	NEW RELEASED	95-012	95.1.25	DIMENSION CLASSIFICATION ▽ : CRITICAL ▼ : MAJOR () : REFERENCE	APP'D BY	SCALE 4:1
APPLICATOR FEED: 19.5	LTR	REVISION RECORD	ECN	DATE	ASS'Y PART DESCRIPTION ENG. NO.	TITLE : .250 SAFE LOCK FLAG RECEPTACLE	
Q'TY/ REEL OR PACK 3,000 Q'ty/Reel	REVISE ONLY ON CAD SYSTEM				---	ENG. NO. SD 35725-4810	SHEET 1 OF 1 REV A