

PLEASE CHECK WWW.MOLEX.COM FOR LATEST PART INFORMATION

Part Number: [0194290036](#)
Status: **Active**
Overview: [mx150l sealed connector system](#)
Description: MX150L™ 6 Circuit Panel Mount Plug for 14 to 22 AWG Wire, Rear Mount Flange Assembly, with Gasket

Documents:

[3D Model](#) [Product Specification PS-19417-001 \(PDF\)](#)
[Drawing \(PDF\)](#) [RoHS Certificate of Compliance \(PDF\)](#)

Agency Certification

UL E152602

General

Product Family Crimp Housings
 Series [19429](#)
 Comments For Inside Panel Mount Application
 MolexKits Yes
 Overview [mx150l sealed connector system](#)
 Product Literature Order No 987650-2181
 Product Name MX150L™

Physical

Circuits (maximum) 6
 Flammability 94V-0
 Gender Male
 Glow-Wire Compliant No
 Lock to Mating Part Yes
 Number of Rows 2
 Packaging Type Bag
 Panel Mount Yes
 Pitch - Mating Interface (in) 0.230 In
 Pitch - Mating Interface (mm) 5.84 mm
 Polarized to Mating Part Yes
 Stackable No
 Temperature Range - Operating -40°C to +125°C

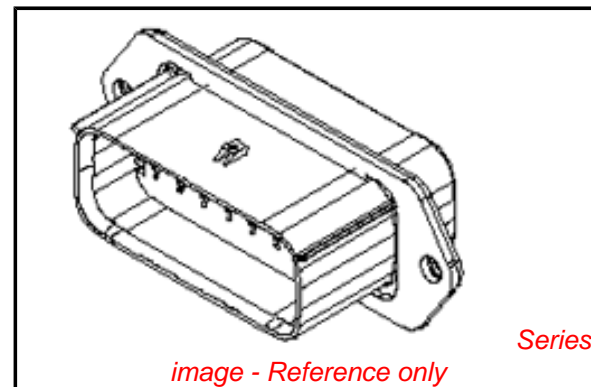
Electrical

Current - Maximum per Contact 18A

Material Info

Reference - Drawing Numbers

Packaging Specification PK-19429-001
 Product Specification PS-19417-001
 Sales Drawing SD-19429-003



EU RoHS

**ELV and RoHS
Compliant**
REACH SVHC
 Not Reviewed
**Halogen-Free
Status**
Not Reviewed

China RoHS



**Need more information on product
environmental compliance?**

Email productcompliance@molex.com
 For a multiple part number RoHS Certificate of Compliance, [click here](#)

Please visit the [Contact Us](#) section for any non-product compliance questions.

Search Parts in this Series

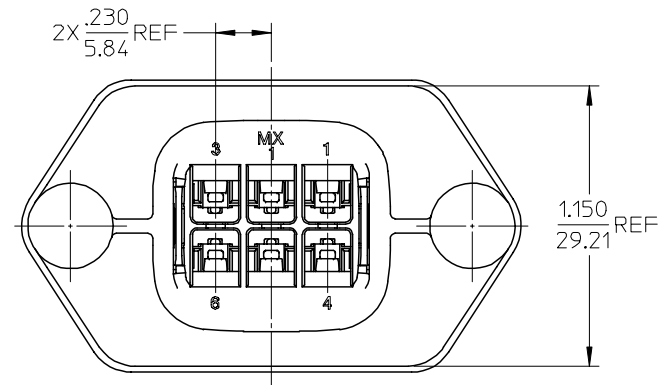
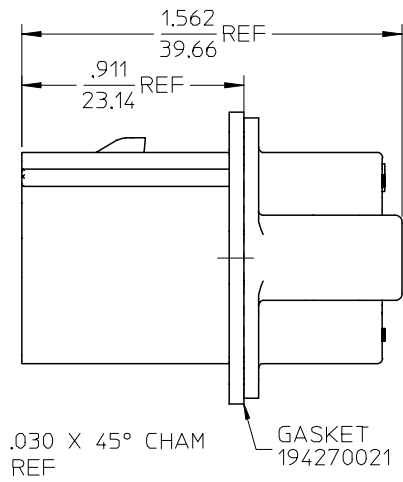
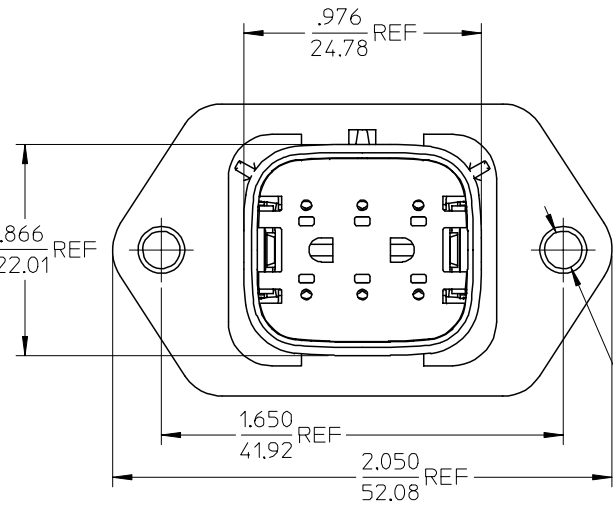
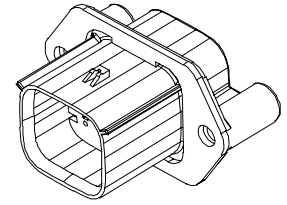
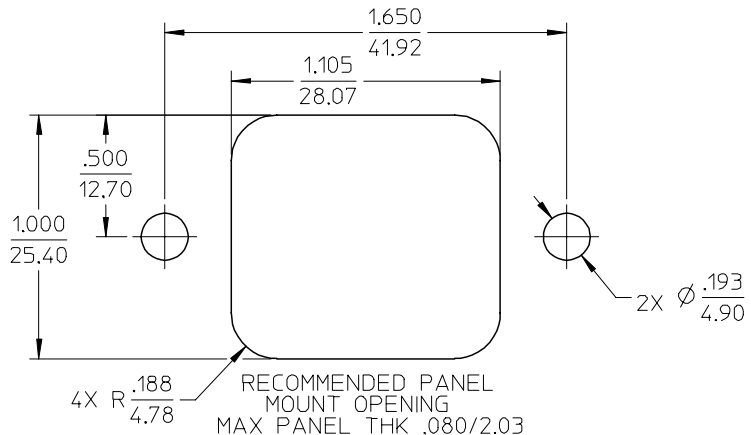
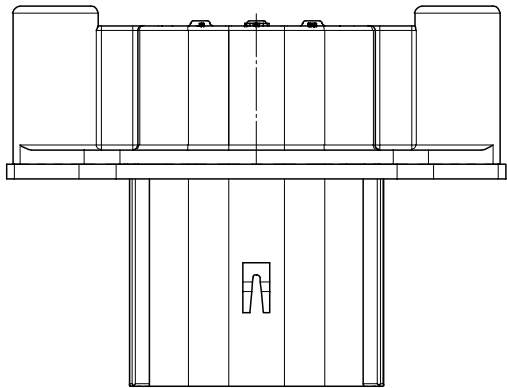
[19429Series](#)

Mates With

[19418 Receptacle Assemblies](#)

Use With

[19417 Male Crimp Terminals](#)



194290036	YES
194290010	NO
MATERIAL NUMBER	GASKET

(A)

- NOTES:
1. ASSEMBLY BULK PACKAGED PER PK-19429-001.
 2. USE CONNECTOR WITH MALE CRIMP TERMINAL: SERIES 19417.
 3. RECOMMENDED MOUNTING HARDWARE: (2) #10 X .62/18.9 LONG PLASTIC THREAD CUTTING SCREWS. SUGGESTED SOURCE: ITW SHAKEPROOF INDUSTRIAL BOSSCREW OR EQUIVALENT. RECOMMENDED TORQUE: 15-17 IN-LBS.

EC NO: ETC2005-0118 DRWN:BRUPERT 2005/01/20 CHKD:JPALWICK 2005/01/20 APPR:RDEROSS 2005/01/20	QUALITY SYMBOLS	GENERAL TOLERANCES (UNLESS SPECIFIED)	SCALE 2:1	DESIGN UNITS INCH
	▽ = 0 ◻ = 0	4 PLACES ± --- ± --- 3 PLACES ± --- ± .015 2 PLACES ± 0.38 ± --- 1 PLACE ± --- ± --- ANGULAR ± 1 °	DIMENSION STYLE IN/MM DRAWN BY DMYRICK DATE 03/11/10 CHECKED BY JPAWLICK DATE 03/11/10 APPROVED BY RDEROSS DATE 03/11/10	THIRD ANGLE PROJECTION REVISE ON CAD ONLY
REV A	DESCRIPTION	DRAFT WHERE APPLICABLE MUST REMAIN WITHIN DIMENSIONS	TITLE 6 WAY PLUG PANEL MOUNT ASSEMBLY 22-14 AWG MOLEX MOLEX INCORPORATED MATERIAL NO. SEE CHART DOCUMENT NO. SD-19429-003 SHEET NO. 1 OF 1	

THIS DRAWING CONTAINS INFORMATION THAT IS PROPRIETARY TO MOLEX INCORPORATED AND SHOULD NOT BE USED WITHOUT WRITTEN PERMISSION	
---	--