



# TAL-SAW TECHNOLOGY CO., LTD.

No. 3, Industrial 2nd Rd., Ping-Chen Industrial District,  
Taoyuan, 324, Taiwan, R.O.C.

TEL: 886-3-4690038 FAX: 886-3-4697532

E-mail: [tstsales@mail.talsaw.com](mailto:tstsales@mail.talsaw.com) Web: [www.talsaw.com](http://www.talsaw.com)

## Approval Sheet For Product Specification

Issued Date: Nov, 4, 2008

Product Name: SAW Filter 611 MHz SMD 3.8X3.8 mm

TST Parts No.: TA0914A

Customer Parts No.: \_\_\_\_\_

Company: _____
Division: _____
Approved by: _____
Date: _____

Checked by: \_\_\_\_\_ Bob Chau 

Approval by: \_\_\_\_\_ Francis Chen 

Date: \_\_\_\_\_ 11. 4. 2008



# TAI-SAW TECHNOLOGY CO., LTD.

No. 3, Industrial 2nd Rd., Ping-Chen Industrial District,  
Taoyuan, 324, Taiwan, R.O.C.

TEL: 886-3-4690038 FAX: 886-3-4697532

E-mail: [tstsales@mail.taisaw.com](mailto:tstsales@mail.taisaw.com) Web: [www.taisaw.com](http://www.taisaw.com)

## SAW Filter 611 MHz

MODEL NO.:TA0914A

REV. NO.:2

### A. MAXIMUM RATING:

1. Input Power Level: 10 dBm
2. DC Voltage : 3V
3. Operating Temperature: 0°C to +50°C
4. Storage Temperature: -30°C to +85°C

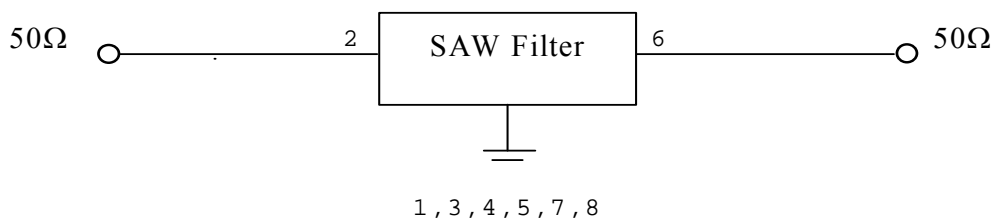
RoHS Compliant  
Lead free  
Lead-free soldering

### B. ELECTRICAL CHARACTERISTICS:

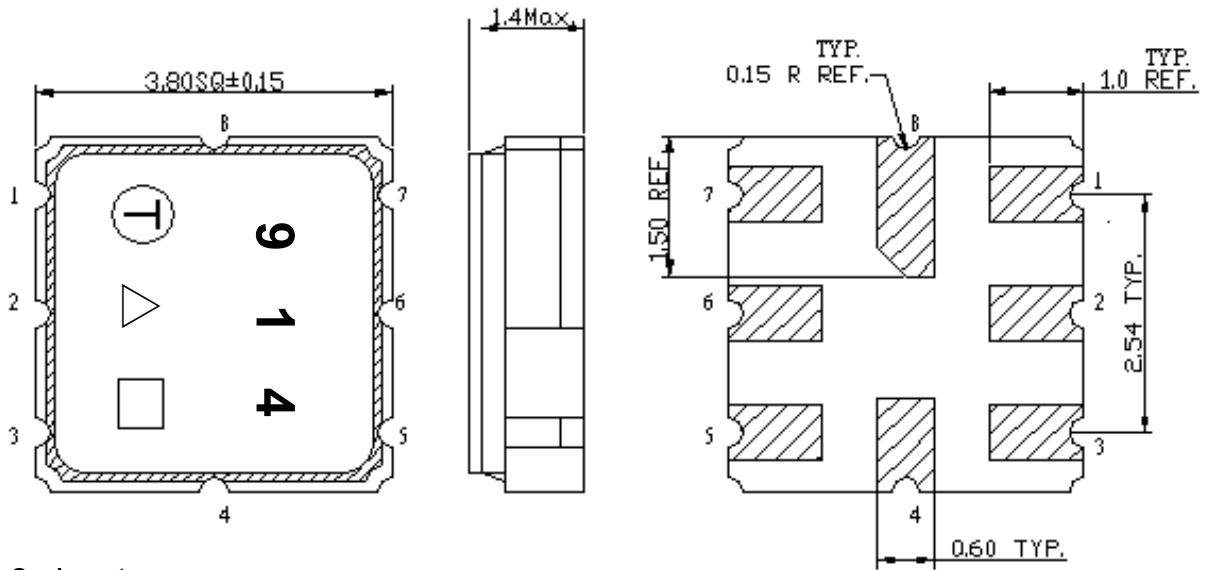
Item	Unit	Min.	Typ.	Max.	Note
<b>Center Frequency</b> <b>Fc</b>	MHz	-	611	-	-
<b>Insertion loss</b> (608~614 MHz) <b>IL</b>	dB	-	1.7	2.7	-
<b>Amplitude Ripple</b> (608 ~ 614 MHz)	dB	-	0.5	1.2	-
<b>Return Loss</b> (608~614 MHz)	dB	10	14	-	-
<b>Attenuation</b> (Reference level from 0 dB)					
D.C ~ 580 MHz	dB	45	47	-	-
736 ~ 792 MHz	dB	45	52	-	-
792 ~ 1000 MHz	dB	40	47	-	-
1000 ~ 2300 MHz	dB	20	25	-	-
2300 ~ 3000 MHz	dB	12	18	-	-

### C. MEASUREMENT CIRCUIT:

HP Network analyzer



**D.OUTLINE DRAWING:**

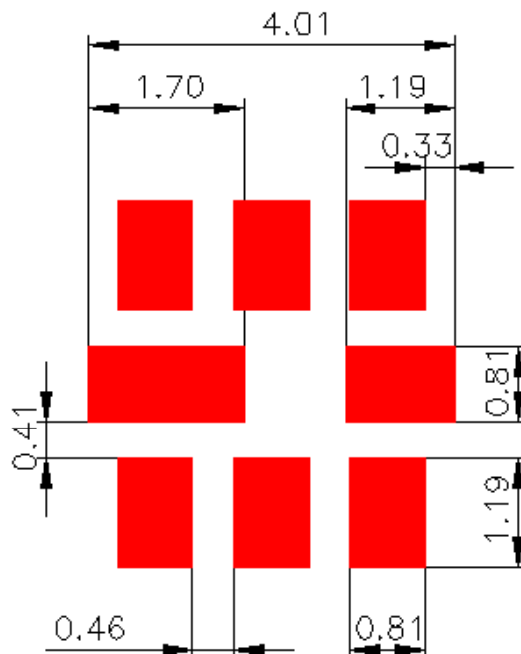


- 2 : Input
- 6: Output
- 1,3,4,5,7,8: Ground
- △ : Year Code
- : Date Code (W01->A, W02->B,...W52->z)
- Unit: mm

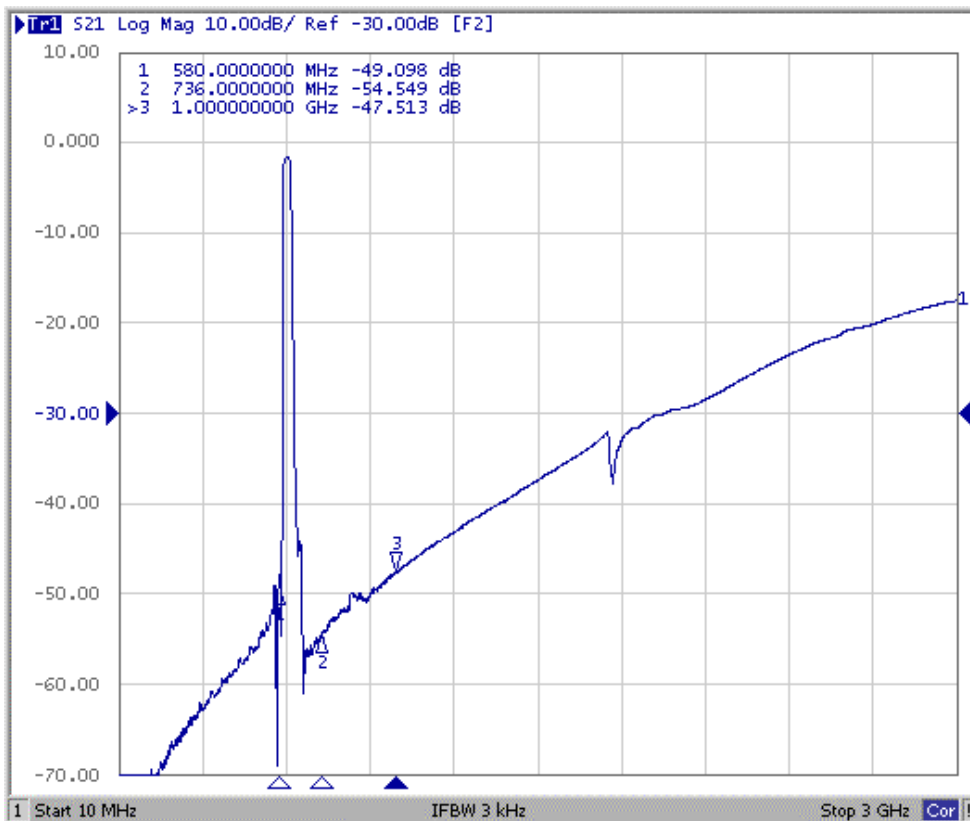
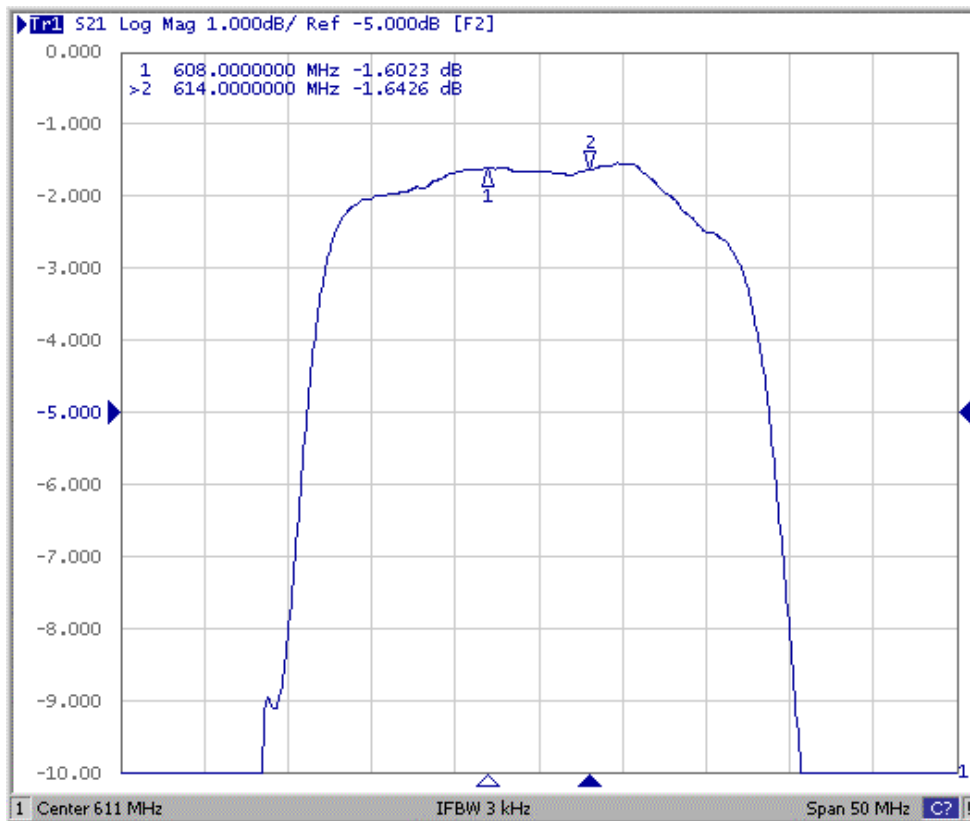
**Product Year Code**

Year	2001	2002	2003	2004
	2005	2006	2007	2008
Product Code	A	a	A	a

**E. PCB Footprint:**

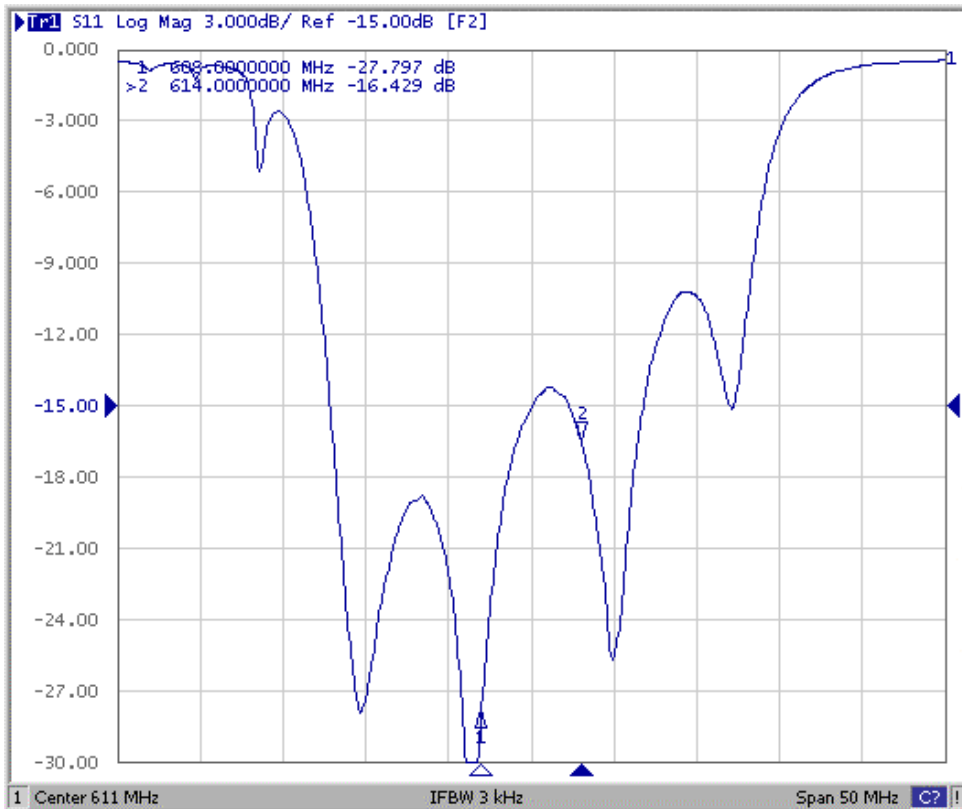


## F. Frequency Characteristics :

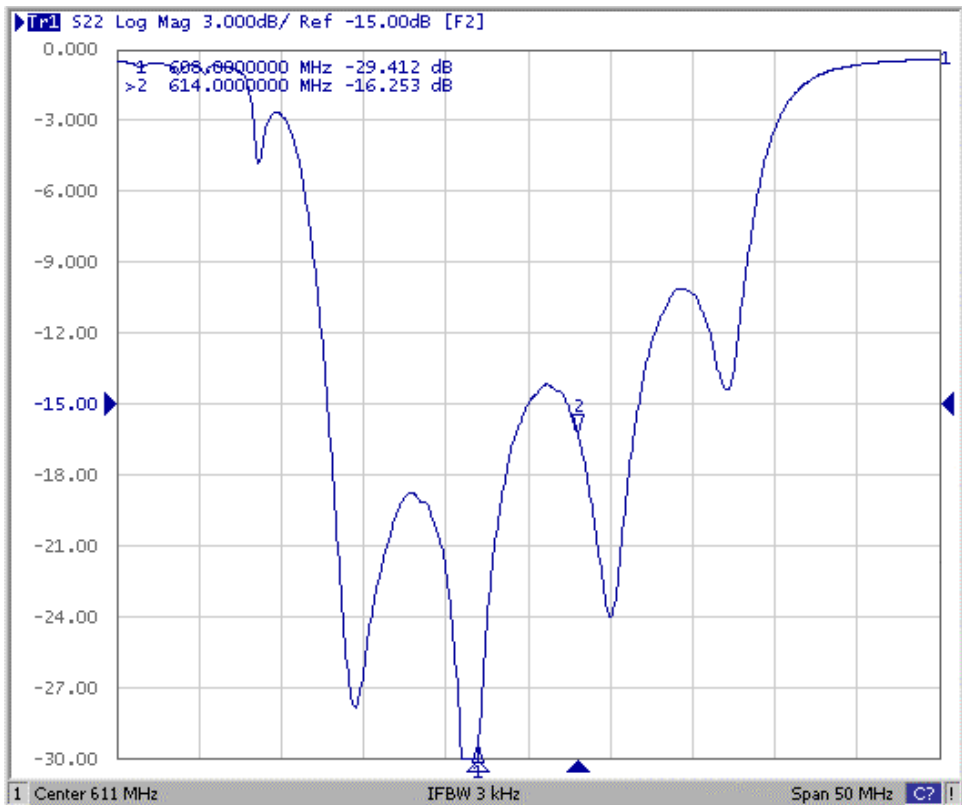


# Reflection Functions :

## S11



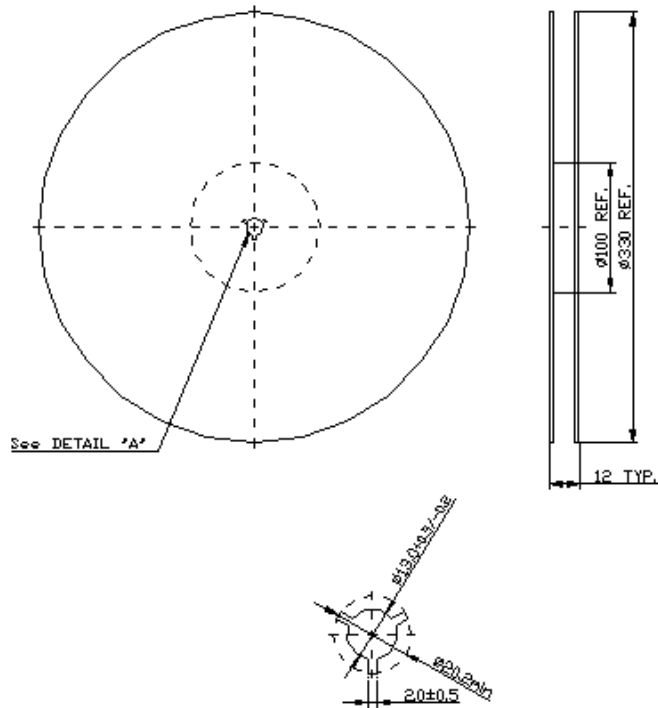
## S22



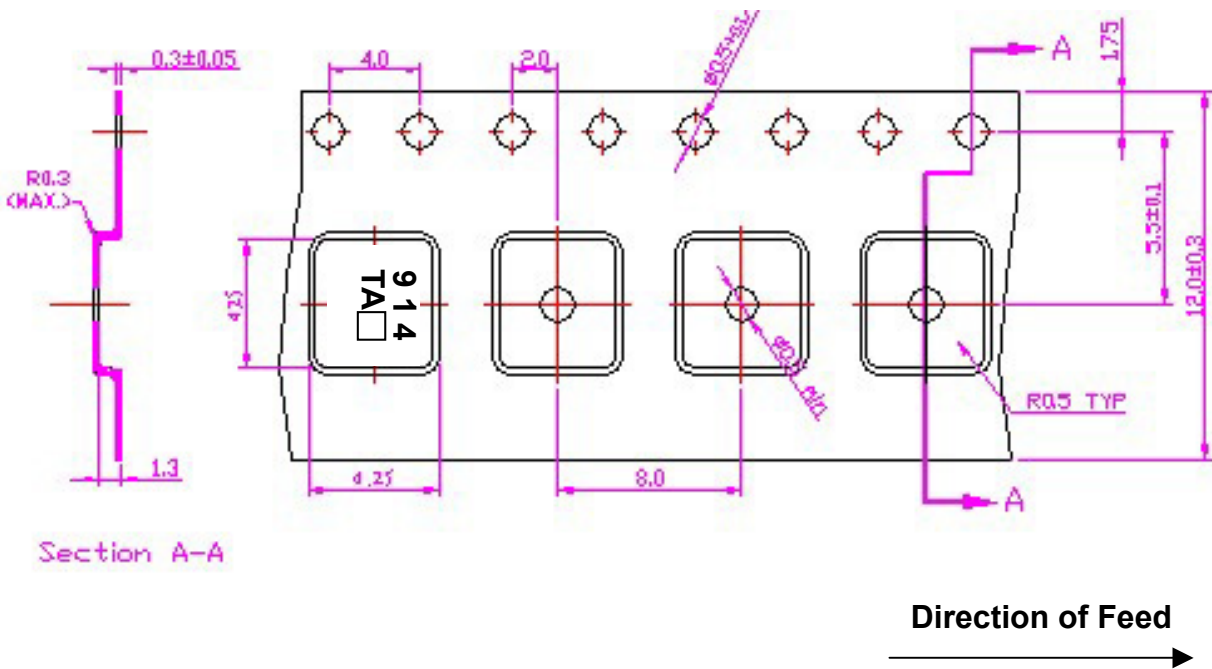
**G. PACKING:**

**1. REEL DIMENSION**

(Reel Count : 7"=1000 ; 13"=3000 )



**2.TAPE DIMENSION**



**H. RECOMMENDED REFLOW PROFILE :**

