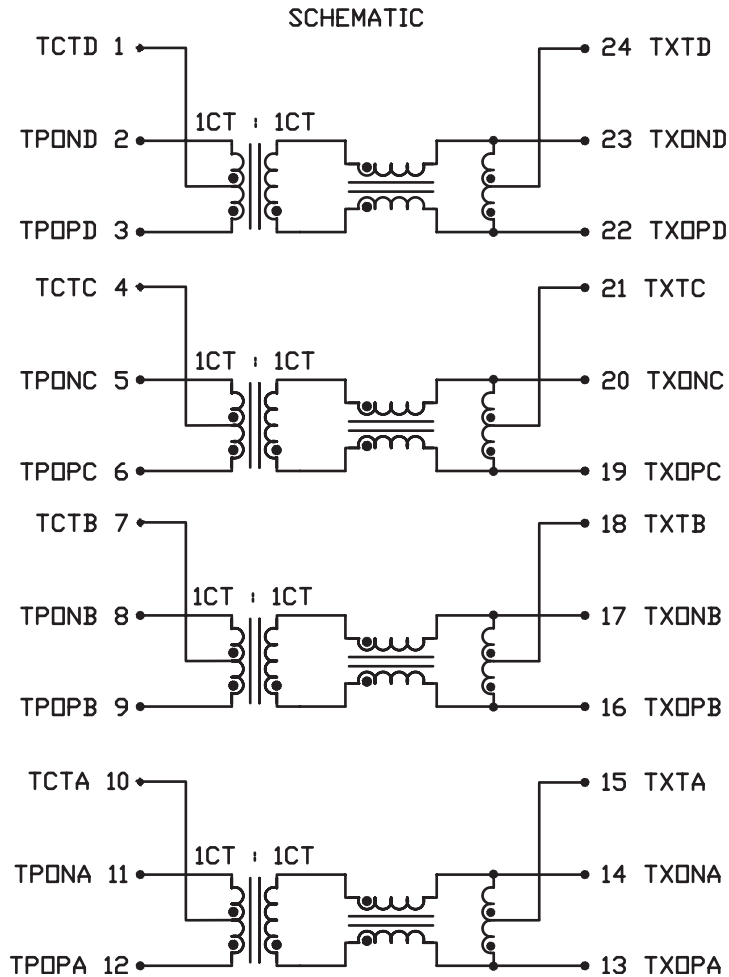


GIGABIT ETHERNET MAGNETICS

S558-5999-P3-F Single Port Transformer Module



ELECTRICAL CHARACTERISTICS @ 25°C



URNS RATIO

PIN(3-1-2) : (22-24-23)	1CT : 1CT
PIN(6-4-5) : (19-21-20)	1CT : 1CT
PIN(9-7-8) : (16-18-17)	1CT : 1CT
PIN(12-10-11) : (13-15-14)	1CT : 1CT

DCL

350μH MIN. AT 100 kHz, 100mV
WITH 8mA DC BIAS @25°C

INSERTION LOSS

1.1dB MAX. @ 0.1 MHz
0.5dB MAX. @ 1 MHz
0.8dB MAX. @ 65 MHz
1.0dB MAX. @ 100 MHz
1.5dB MAX. @ 125 MHz

RETURN LOSS

UNDER 100 OHMS±15% ENVIRONMENT
18dB MIN. @ 0.5 TO 40 MHz
12-20LOG (f/80 MHz) dBMIN.
@ 40 TO 100 MHz

COMMON TO COMMON REJECTION

30dB MIN. @ 0.1 TO 100 MHz

CROSSTALK

@ 1-100 MHz
33-20LOG (f/100 MHz) dB MIN.

HIPOT

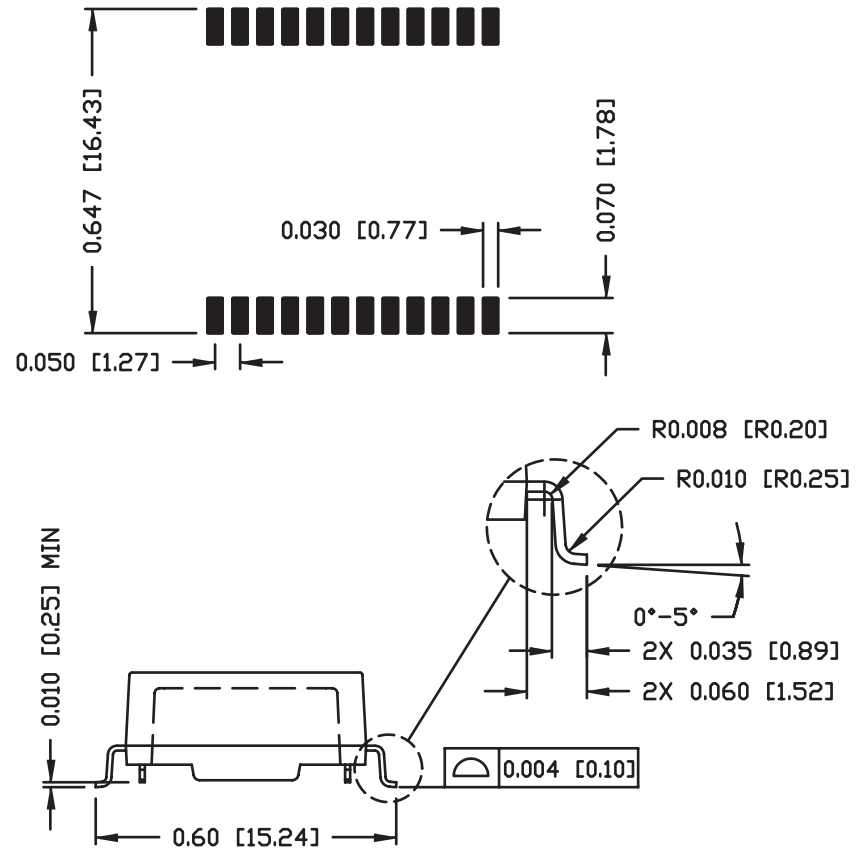
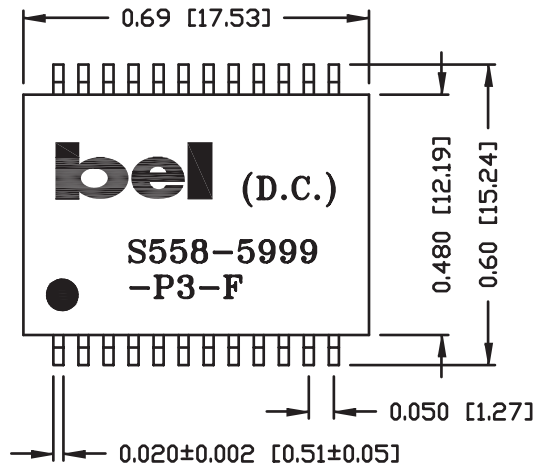
PER HAND-WORK-03

GIGABIT ETHERNET MAGNETICS

S558-5999-P3-F Single Port Transformer Module



SUGGESTED PCB PAD LAYOUT



NOTES:

- STANDARD MARKING REFER TO DOC. HAND-WORK-04.
- PACKAGE CODE: 'RQS001'.