

Features

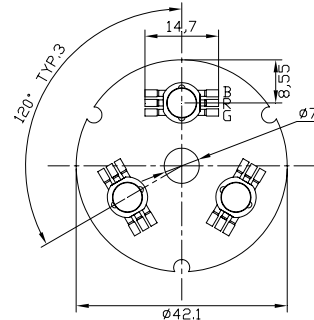
- Highest Luminous Flux
- Super Energy Efficiency
- Long Life
- Quick Response
- Superior ESD Protection
- Superior UV Resistance
- Can be equipped with lens:OS-OLTH5025X

Applications

- Small Space Lighting
- Mechanical equipment lights

Outline Size

Unit: mm

 Tolerance: ± 0.30 mm


Absolute Maximum Rating

(Ta=25)

Item	Symbol	Value	Unit
Operating Temperature	Tope	-30 ~ +85	
Storage Temperature	Tstg	-40~ +100	
Input Voltage(DC)	V _i (R)	9	V
	V _i (B/G)	12	V
Input Current(DC)	I _i	400	mA
Power Dissipation	Pa(R)	3.6	W
	Pa(B/G)	4.8	W

Picture



Electrical -Optical Characteristics

(Ta=25)

Item	Symbol	Condition	Min.	Typ.	Unit
Input Voltage(DC)	V _i (R)	I _f =350mA	6.0	7.5	V
	V _i (B/G)	I _f =350mA	9	10	V
Power Dissipation	Pa(R)	I _f =350mA	2.1	2.625	W
	Pa(B/G)	I _f =350mA	3.15	3.5	W
Whole Luminous Flux*	v(R)	I _f =350mA	120	150	lm
	v(G)	I _f =350mA	150	210	lm
	v(B)	I _f =350mA	30	45	lm
Beam Pattern	BP	-	-	120	Deg
Net Weight	Wei	-	-	5	g

Circuit

