

MTD2003G

Dual Full-bridge PWM Stepper Motor Driver

Features

- Dual full bridge for a bipolar stepper motor driver
- Output current 1.2A , Output voltage 35V
- Constant current control(fixed frequency PWM control)
- 2-bit digital current selection
- Noise cancellation function
- Built-in flywheel and flyback diodes
- Cross conduction protection
- Thermal shutdown with hysteresis
- Surface mount package with heat sink(HSOP24)

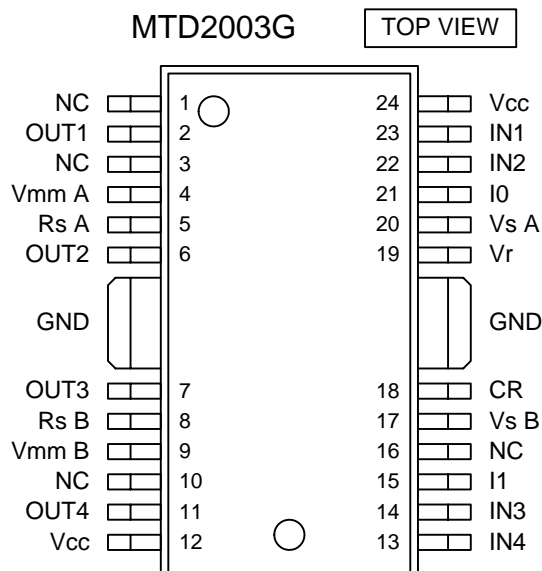


Absolute maximum ratings / Ta=25

Parameter	Symbol	Rating	Unit
Output voltage	V _{mm}	35	V
Output current	I _{OUT}	1.2	A
Logic supply	V _{CC}	0 ~ 6	V
Logic input	V _{LOGIC}	0 ~ V _{CC}	V
Allowable power dissipation *	P _D	2.1	W
Storage temperature range	T _{stg}	-40 ~ 150	
Maximum Junction temperature	T _j	150	

*50.8 × 50.8 × 1mm³ Glass Epoxy Board(FR4),200mm² Copper Pattern

Pin Assignment



Truth table

IN 1 or 4	IN 2 or 3	OUT 1 or 4	OUT 2 or 3
L	L	OFF	OFF
L	H	L	H
H	L	H	L
H	H	OFF	OFF

I ₀	I ₁	Output current ratio[%]	V _{ref} [V] (at V _r =5V)
L	L	100	0.50 ± 5%
H	L	70	0.35 ± 8%
L	H	33	0.17 ± 10%
H	H	0	-

Stepper Motor Driver IC

MTD2003G

Electrical Characteristics

 $V_{CC}=5V$, $T_a=25$ unless otherwise specified

Parameter	Symbol	Condition	MIN	TYP	MAX	Unit
Output stage						
Upper transistor saturation voltage	$V_{CE(sat)H}$	$I_C=1.0A$	-	1.2	1.4	V
Lower transistor saturation voltage	$V_{CE(sat)L}$	$I_C=1.0A$	-	0.7	1.0	V
Upper transistor leak current	I_{rH}	$V_{mm}=30V, V_{OUT}=0V$	-	-	10	μA
Lower transistor leak current	I_{rL}	$V_{OUT}=30V, V_{RS}=0V$	-	-	10	μA
Upper diode forward drop	V_{FH}	$I_F=1.0A$	-	1.4	1.6	V
Lower diode forward drop	V_{FL}	$I_F=1.0A$	-	1.3	1.5	V
Logic stage						
Logic supply current (2circuit ON)	$I_{CC(ON)}$		-	50	65	mA
Logic supply current (2circuit OFF)	$I_{CC(OFF)}$	$V_{IN}=\text{all } 0V \text{ or all } 5V$	-	15	25	mA
IN "H" input voltage	V_{INH}		2.3	-	V_{CC}	V
IN "L" input voltage	V_{INL}		GND	-	0.6	V
IN "H" input current	I_{INH}	$V_{IN}=3.3 \text{ or } 5V$	-	-	10	μA
IN "L" input current	I_{INL}	$V_{IN}=0V$	-	-3	-20	μA
I0,11 "H" input voltage	$V_{I0/11H}$		2.3	-	V_{CC}	V
I0,11 "L" input voltage	$V_{I0/11L}$		GND	-	0.6	V
I0,11 "H" input current	$I_{I0/11H}$	$V_{I0/11}=3.3 \text{ or } 5V$	-	-	10	μA
I0,11 "L" input current	$I_{I0/11L}$	$V_{I0/11}=0V$	-	-75	-100	μA
Vr input current	I_{ref}	$V_r=5V$	-	500	650	μA
Vs input current	I_s	$V_s=0V$	-	-1	-10	μA
Comparator threshold (100%)	V_{s1}	$V_r=5V, V_{I0}=0V, V_{I1}=0V$	0.475	0.5	0.525	V
Comparator threshold (70%)	V_{s2}	$V_r=5V, V_{I0}=5V, V_{I1}=0V$	0.322	0.35	0.378	V
Comparator threshold (33%)	V_{s3}	$V_r=5V, V_{I0}=0V, V_{I1}=5V$	0.153	0.17	0.187	V
Chopping frequency	f_{CHOP}		-	20	-	kHz
Blanking time	t_b	$C_t=3300pF$	-	1.55	-	μs
Thermal shutdown temperature	T_{TSD}		-	150	-	

Recommended operation conditions

Parameter	Symbol	Recommendation	Unit
Junction temperature	T_j	-25 ~ 120	
Logic supply	V_{CC}	4.75 ~ 5.25	V
Load supply	V_{mm}	~ 31	V

Thermal resistance

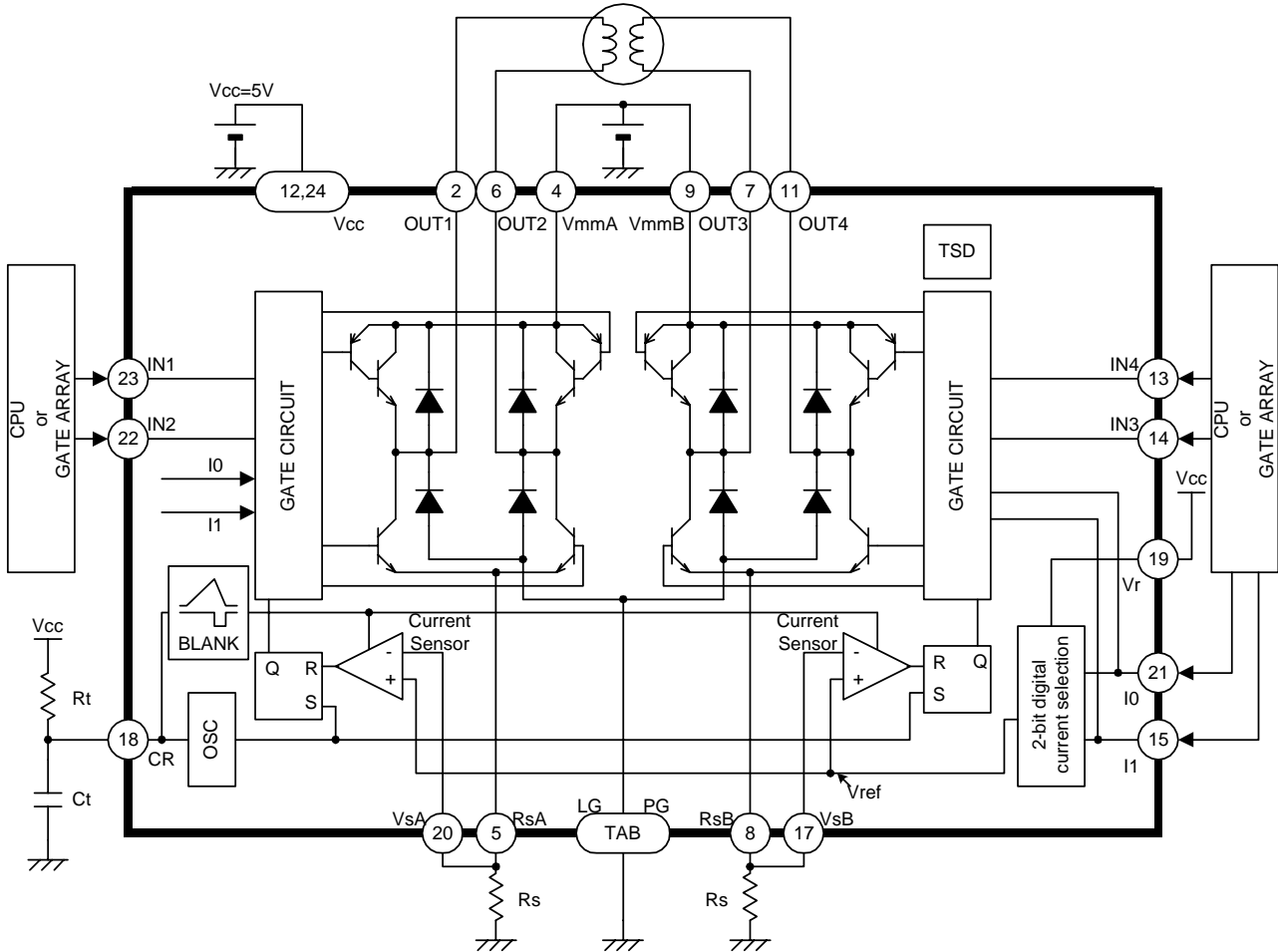
Symbol	Rating	Unit
j_a	58	/W

 *50.8 × 50.8 × 1mm³ Glass Epoxy Board(FR4),200mm² Copper Pattern

Stepper Motor Driver IC

MTD2003G

Block diagram / Typical application



Constant chopping current level

$$I_{chop} = \frac{V_r}{10 \times R_s} - 0.015$$

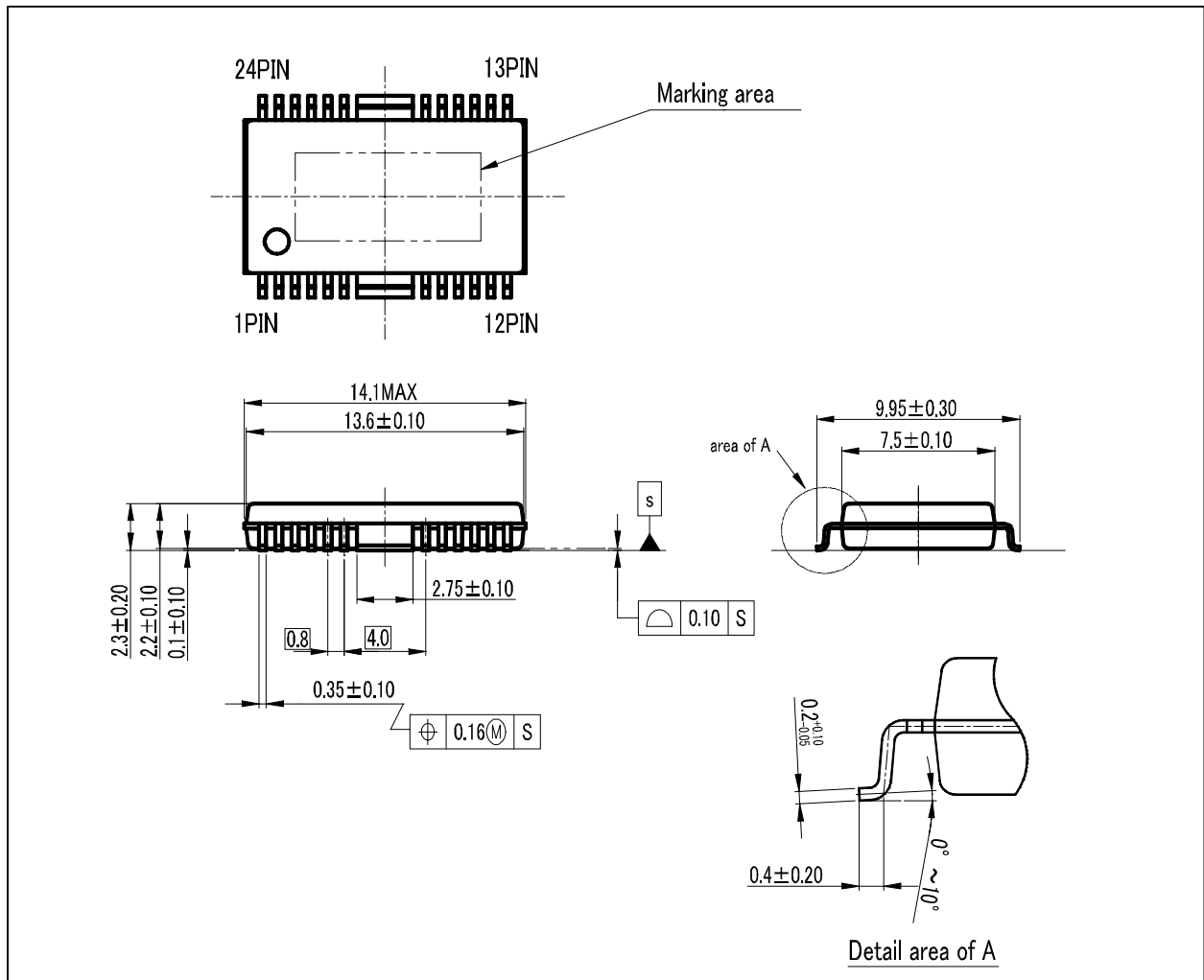
Recommended component values

Symbol	Recommended component values	Unit
Rt	18	k
Ct	3300	pF
Vr	Vcc	V


ONE SHOT OFF TIME


$$f = \frac{1}{0.72 \times C_t \times R_t}$$

Outline Drawing



(Unit : mm)

 Although we are constantly making every effort to improve the quality and reliability of our products, there nevertheless remains a certain probability that the semiconductor products may occasionally fail or malfunction. Please take careful precautions against product failures or malfunctions to avoid any injuries, fire accidents or social loss by implementing safety designs such as redundancy designs, designs for fire spread prevention, and designs for preventing malfunctions.

 Our semiconductor products listed in this document are not designed or manufactured to be used in devices or systems requiring extremely high levels of quality and reliability, or the failure or malfunction of which may directly threaten human lives or cause injury. In the cases where the products are to be used in devices or systems for special applications or devices or systems for specialized applications shown below, always make sure to consult us in advance.

Special Applications

Transportation devices (automotive, marine, etc.), communication devices for core network, traffic signal devices, fire prevention/anticrime devices, various safety devices, medical devices, etc.

Specialized Applications

Nuclear power control systems, aircraft and aerospace devices, submarine relay devices, and systems for preserving life, etc.

Even if it is not for a special or specialized application, when IC products are to be used for devices or systems that are desired to last for a long period under continuous operation, please make sure to consult our sales representative in advance.

We reserve the right to make any changes to the contents of this manual without prior notice in accordance with modifications to IC products. Details of specifications should be exchanged at the adoption of the IC products.

All information included in this manual is believed to be accurate and reliable. However, our company takes no responsibility for any injury or damage incurred when using the IC products as described in this manual. Neither do we take any responsibility for issues arising from infringement of patent or other rights caused by using this manual.

The provision of this manual does not guarantee the right to use any third party's patent or other rights, or grant permission to use the patent or other rights of our company.

No part of this manual may be reproduced or copied without the specific written consent of Shindengen Electric Mfg. Co., Ltd.