

Features:

- Low Optical Insertion Loss
- Cost-effective CWDM technology
- Terminates four wavelengths
- SC or LC connectors for interfacing
- Reliable passive WDM optical technology
- Ring or point-to-point applications
- Low-profile modular design
- Compliance with RoHS

CWDM MUX/DEMUX-4-2 Optibox Module



The Finisar MUX/DEMUX-4-2 optibox module is a passive optical multiplexer/demultiplexer designed for metro access applications that represents the state of the art in fiber optics design. The MUX/DEMUX-4-2 optibox module multiplexes and demultiplexes four CWDM wavelength channels from a two-fiber circuit. Finisar's design allows the creation of cost-effective unidirectional network traffic rings or point-to-point links.

Multiplexed wavelengths are interfaced to any of Finisar's CWDM transceivers on the equipment side. A grid of eight CWDM wavelengths is available from Finisar.

The Finisar MUX/DEMUX optibox module delivers dramatic cost savings to network equipment manufacturers, enabling them to develop metro access systems that are lower in cost, easier to provision and simpler to operate.

MUX/DEMUX-4-2 Optibox Module

Specifications

Mechanical

Dimensions:
5.5" x 3.2" x 0.5",
139mm x 81mm x 13mm

Connectors:
• SC or LC connectors

Optical

Center Wavelengths:

MUX/DEMUX-4-2 Optibox

- 1491 nm
- 1531 nm
- 1571 nm
- 1611 nm

Directivity:

≥ 55 dB

Return Loss:

≥ 45 dB

Passband Ripple:

≤ 0.5dB

PDL:

≤ 0.15dB

PMD:

≤ 0.2 ps

Environmental:

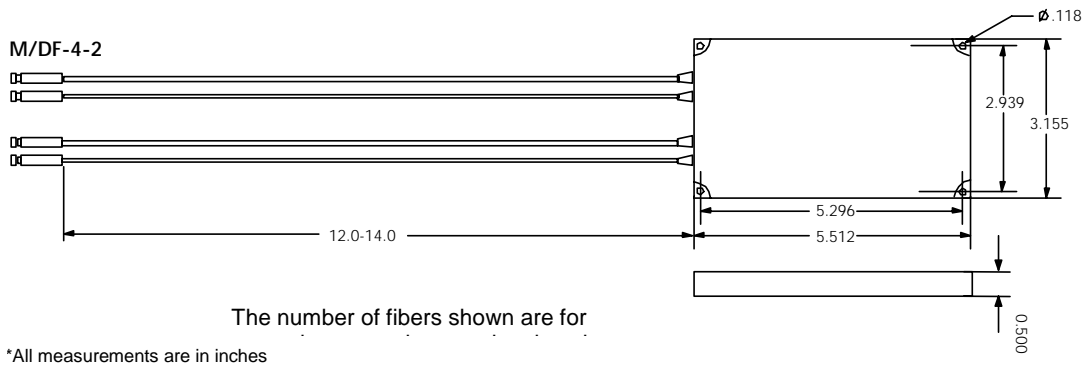
- Operating 0 to 70°C,
- Relative humidity: 10 to 85%, non-condensing
- Storage - 40 to 85°C

MUX/DEMUX-4-2 Optibox Module Parameter Specifications

Passband	Max Insertion Loss (dB)		Min Isolation (dB)	
	Mux	Demux	Mux	Demux
+/- 6.5nm	2.30	2.30	30	50

Note: Connector loss included.

Dimensions (Unit: inch)



Ordering Information

Part Number Description

M/DF-4-2-LC Four Wavelength MUX/DEMUX Optibox Module, LC connectors, 1491nm, 1531nm, 1571nm, 1611nm.
M/DF-4-2-SC Four Wavelength MUX/DEMUX Optibox Module, SC connectors, 1491nm, 1531nm, 1571nm, 1611nm.