

TITLE:

T1 LINE INTERFACE XFMR



1000 PARKERS LAKE ROAD
WAYZATA, MN 55391
(952) 475-1173

PART NUMBER

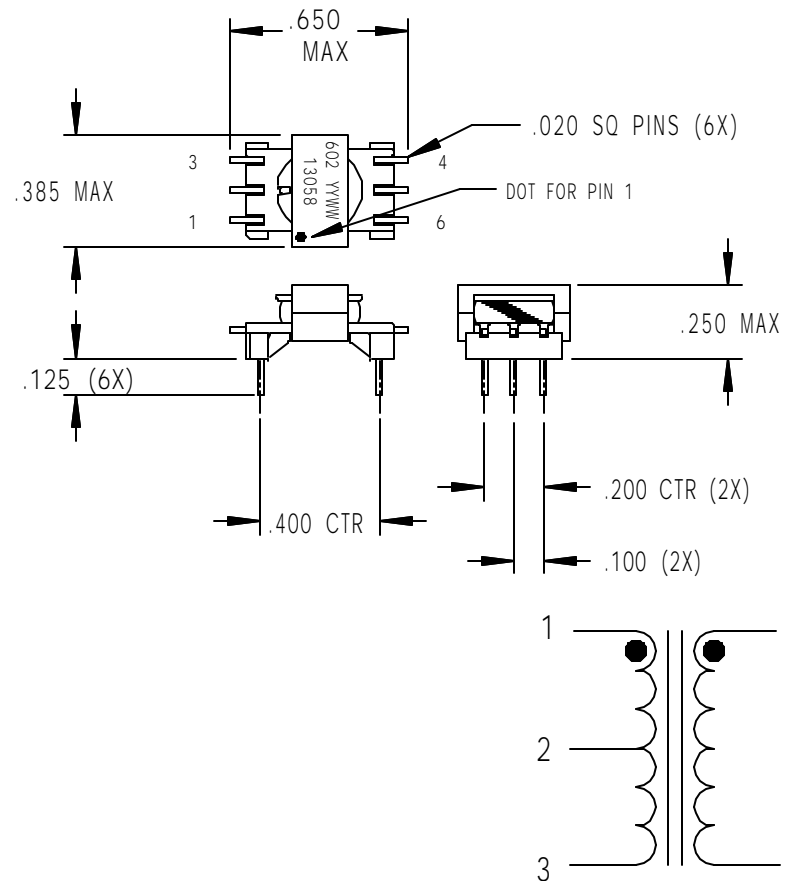
24059

REV D

PAGE 1 END

SPECIFICATIONS:

1. TEMP. CLASS: 105 ° C
2. INDUCTANCE: @ 10 KHz, 0.1 V
(1-3) = 700 μHy MIN.
3. LEAKAGE INDUCTANCE:
@ 100 KHz, (6-4) SHORTED
(1-3) = 0.3 μHy MAX.
4. INTERWINDING CAPACITANCE: @ 100 KHz
(1-3) TO (6-4) = 80 pf MAX.
5. TURNS RATIO: (1-3):(6-4) = 1 CT:1 ± 2 %
6. DCR: (1-3) = 0.5 • MAX
(6-4) = 0.5 • MAX
7. HI- POT: 1500 Vac



SCHOTT CORPORATION
1000 PARKERS LAKE ROAD
MINNEAPOLIS, MN 55391

CAGE CODE
80023

SIZE
A

CUST. NAME
ABLE TELECOMMUNICATIONS

CUST. PART NO.
600310-00-3058

CUST. REV
REF

EIA CODE
602

TOLERANCES
UNLESS OTHERWISE NOTED

2 PLACE	3 PLACE	ANGLE
.01	± .005	± 1 °

SHEET
1 of 2

DWG NO.
D67130580\24059

REV
D

FORM 1167