

PLEASE CHECK WWW.MOLEX.COM FOR LATEST PART INFORMATION

Part Number: [0747125003](#)
Status: **Active**
Overview: [ganged_rf](#)
Description: 6.25mm (.246") Pitch Ganged RF Header, Vertical, 6 Circuits

Documents:

[Drawing \(PDF\)](#) [Product Specification PS-74854-001 \(PDF\)](#)
[Packaging Specification \(PDF\)](#) [RoHS Certificate of Compliance \(PDF\)](#)

General

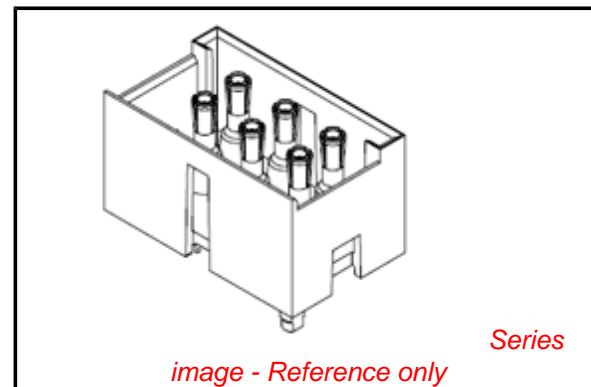
Product Family	Backplane Connectors
Series	74712
Application	Backplane
Comments	Port Numbered 2 Loaded
Component Type	PCB Header
Overview	ganged_rf
Product Name	Ganged RF
Style	N/A

Physical

Circuits (Loaded)	2
Circuits (maximum)	6
Circuits Detail	2
Color - Resin	Black, Natural
Durability (mating cycles max)	500
First Mate / Last Break	No
Guide to Mating Part	No
Keying to Mating Part	Yes
Material - Metal	Copper
Material - Resin	High Temperature Thermoplastic, Polyester
Number of Columns	N/A
Number of Pairs	N/A
Number of Rows	2
Orientation	Vertical
PC Tail Length (in)	0.088 In
PC Tail Length (mm)	2.24 mm
PCB Locator	Yes
PCB Retention	None
PCB Thickness Recommended (in)	0.177 In
PCB Thickness Recommended (mm)	4.50 mm
Packaging Type	Tray
Pitch - Mating Interface (in)	0.246 In
Pitch - Mating Interface (mm)	6.25 mm
Pitch - Term. Interface (in)	0.246 In
Pitch - Term. Interface (mm)	6.25 mm
Polarized to PCB	Yes
Stackable	No
Surface Mount Compatible (SMC)	Yes
Temperature Range - Operating	-40°C to +85°C
Termination Interface: Style	Through Hole - Compliant Pin

Electrical

Current - Maximum per Contact	1A
Data Rate	3.0 Gbps
Real Signals (per 25mm)	8
Shield Type	N/A



EU RoHS

RoHS Compliant by Exemption

REACH SVHC

Not Reviewed

Halogen-Free

Status

Not Reviewed

China RoHS



Pb

Need more information on product environmental compliance?

Email productcompliance@molex.com
 For a multiple part number RoHS Certificate of Compliance, [click here](#)

Please visit the [Contact Us](#) section for any non-product compliance questions.

Search Parts in this Series

[74712Series](#)

Mates With

[74642 Ganged RF Receptacle](#)

Shielded
Voltage - Maximum

No
50V AC

Material Info

Reference - Drawing Numbers

Packaging Specification
Product Specification
Sales Drawing

PK-74712-101
PS-74854-001
SD-74712-002

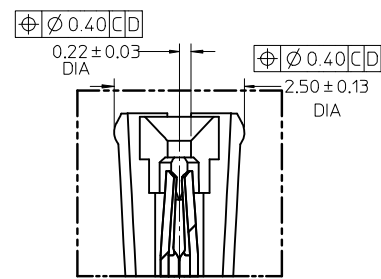
This document was generated on 05/17/2010

PLEASE CHECK WWW.MOLEX.COM FOR LATEST PART INFORMATION

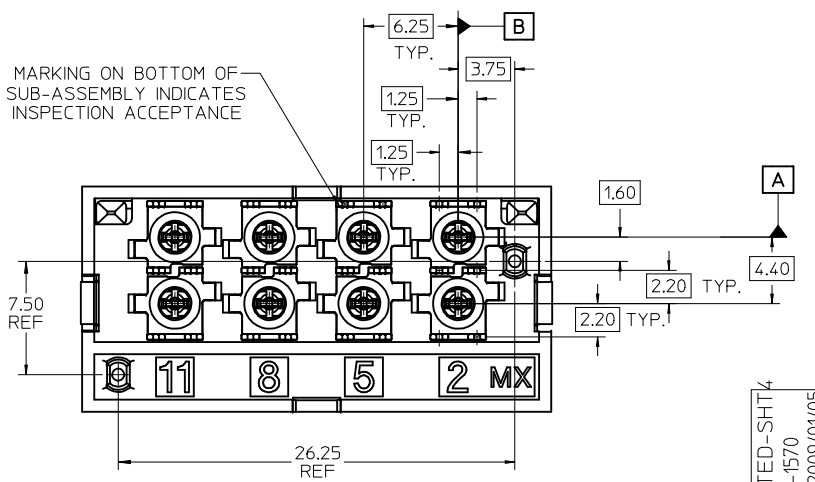
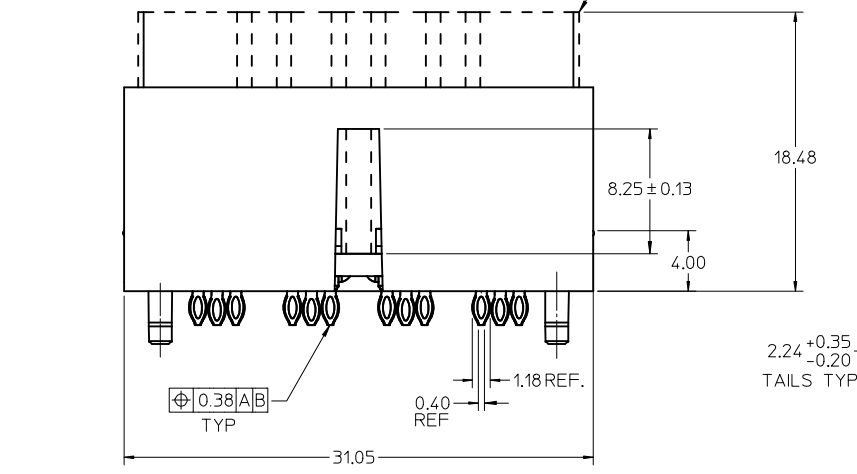
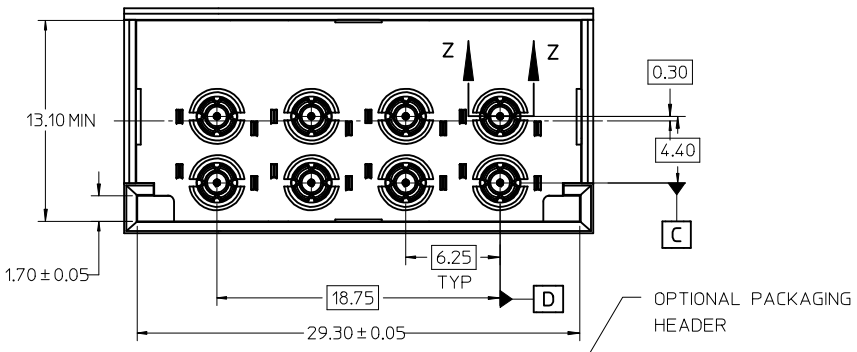
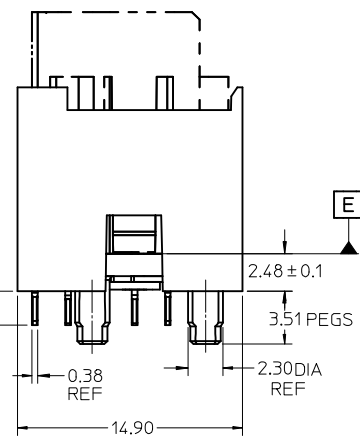
MATERIAL NO.	POSITION OF LOADED TERMINAL(S)	PACKAGING SPEC.
74712-4001	2, 5, 8, 11	PK-74712-001
74712-4002	2	
74712-4003	2, 5, 8, 11	PK-74712-002

NOTES:

- MATERIAL:
 - HOUSING: GLASS FILLED THERMO PLASTIC, 94V-0
 - INSULATOR: GLASS FILLED THERMO PLASTIC, 94V-0
 - PACKAGING HEADER: GLASS FILLED THERMO PLASTIC, 94V-0
 - TERMINALS AND GROUND: TIN BRASS
 - OUTER GROUND CONTACT: PHOSPHOR BRONZE
- PLATING:
 - TERMINALS:
 - SELECTIVE 0.76 MICRONS MIN. GOLD IN CONTACT AREA
 - SELECTIVE 0.88 MICRONS MIN. TIN BOTH OVER
 - 1.27 MICRONS MIN. NICKEL UNDERPLATE
 - GROUNDS:
 - 0.88 MICRONS MIN. TIN OVERALL OVER
 - 1.27 MICRONS MIN. NICKEL UNDERPLATE
 - OUTER GROUND CONTACT:
 - 0.76 MICRONS MIN. GOLD OVERALL OVER
 - 1.27 MICRONS MIN. NICKEL UNDERPLATE
- REFER TO PRODUCT SPEC.: PS-74854-001 FOR ELECTRICAL, MECHANICAL AND ENVIRONMENTAL REQUIREMENTS.
- REFER TO PACKAGING SPEC STATED IN CHARTS FOR DETAILS OF THE PACKAGING REQUIREMENTS.
- DATE CODE MARKING TO BE LOCATED ANYWHERE ON PLASTIC HOUSING. FIRST TWO DIGITS = WEEK NUMBER. LAST TWO DIGITS = YEAR.

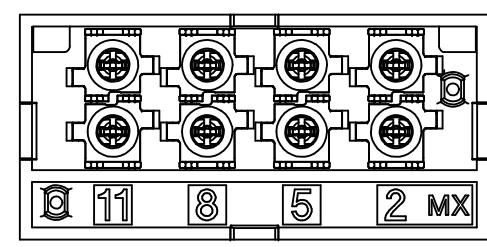


SECTION Z Z
SCALE 14:1

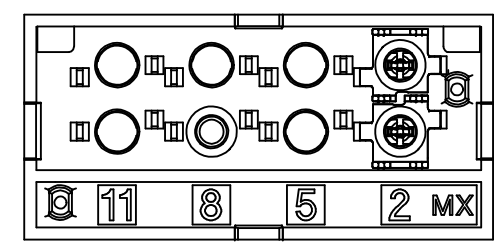


8 POS. CONNECTOR SHOWN

CONTACT LOADING OPTIONS FOR 8 POS CONNECTORS



MAT'L NO. 74712-4001/-4003
POSITION 2, 5, 8 & 11 LOADED



MAT'L NO. 74712-4002
POSITION 2 LOADED

ADDED-UNPLATED-SHT4
EC NO: UCP2009-1570
DRWN: JMENDOZA2009/01/05
CHKD: JBINGHAM 2009/01/05
APPR: JBINGHAM 2009/01/05

REV	DESCRIPTION
0	
1	

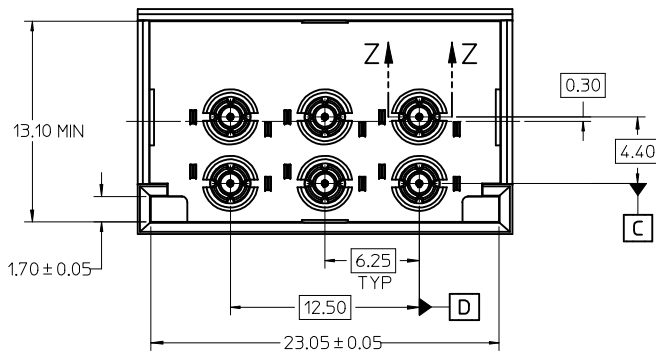
QUALITY SYMBOLS	GENERAL TOLERANCES (UNLESS SPECIFIED)	
	mm	INCH
▽ -0	± ---	± ---
▽ -0	± ---	± ---
▽ -0	± ---	± ---
▽ -0	± ---	± ---
▽ -0	ANGULAR ± 2 °	

DRAFT WHERE APPLICABLE
MUST REMAIN WITHIN DIMENSIONS

SCALE	DESIGN UNITS
4:1	METRIC
DIMENSION STYLE	
MM ONLY	
DRAWN BY	DATE
SREED	2006/06/06
CHECKED BY	DATE
JBINGHAM	2006/06/06
APPROVED BY	DATE
SREED	2006/06/06

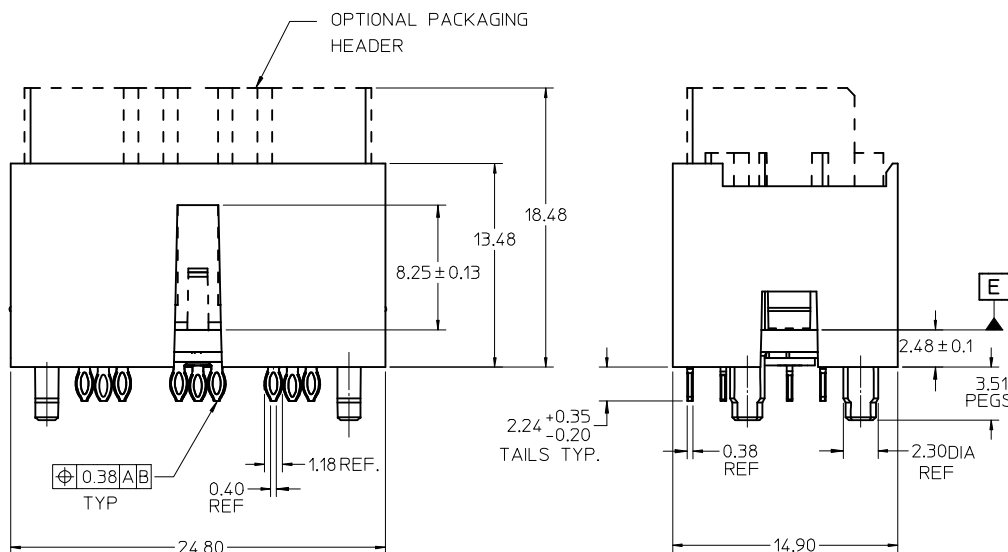
TITLE	THIRD ANGLE PROJECTION	REVISE ON CAD ONLY
SALES DRAWING FOR VERTICAL GANGED RF CONNECTOR, SHORT TAILS		
MOLEX INCORPORATED		
MATERIAL NO.	DOCUMENT NO.	SHEET NO.
SEE CHART	SD-74712-002	1 OF 5

THIS DRAWING CONTAINS INFORMATION THAT IS PROPRIETARY TO MOLEX INCORPORATED AND SHOULD NOT BE USED WITHOUT WRITTEN PERMISSION

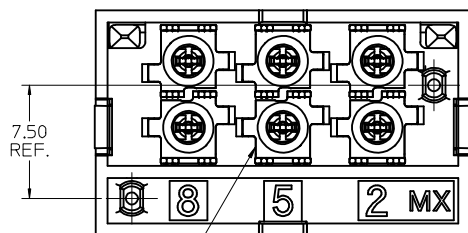


MATERIAL NO.	POSITION OF LOADED TERMINAL(S)	OPTIONAL PACKAGING HEADER	PACKAGING SPEC.
74712-5001	2, 5, 8	YES	PK-74712-101
74712-5002	2, 8	YES	
74712-5003	2	YES	
74712-5004	8	YES	PK-74712-102
74712-5005	2, 5, 8	YES	
74712-5006	2	YES	

NOTE: REFER TO SHEET 1 FOR ALL DIMENSIONS, SECTION VIEW AND NOTES NOT SHOWN.

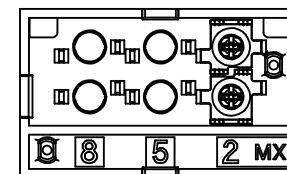


6 POS. CONNECTOR SHOWN

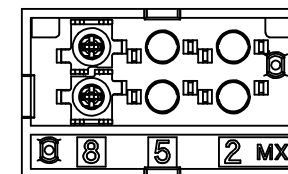


MARKING ON BOTTOM OF SUB-ASSEMBLY INDICATES INSPECTION ACCEPTANCE

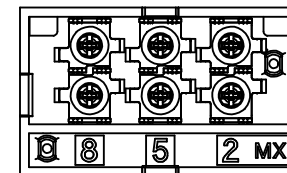
CONTACT LOADING OPTIONS FOR 6 POS. CONNECTOR



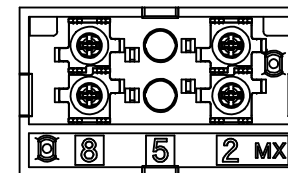
MATL NO.: 74712-5003/-5006
POSITION 2 LOADED ONLY



MATL NO.: 74712-5004
POSITION 8 LOADED ONLY

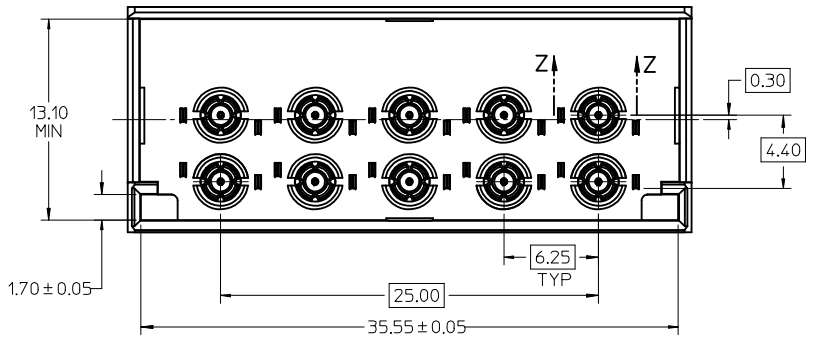


MATL NO.: 74712-5001/-5005
POSITIONS 2, 5 & 8 LOADED



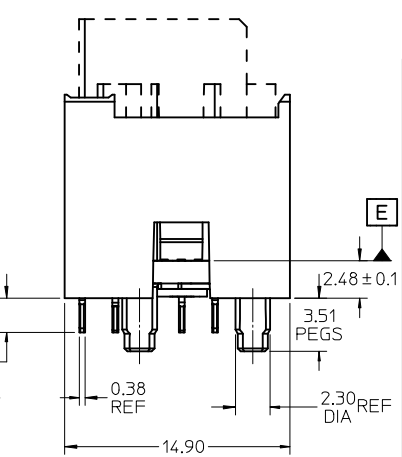
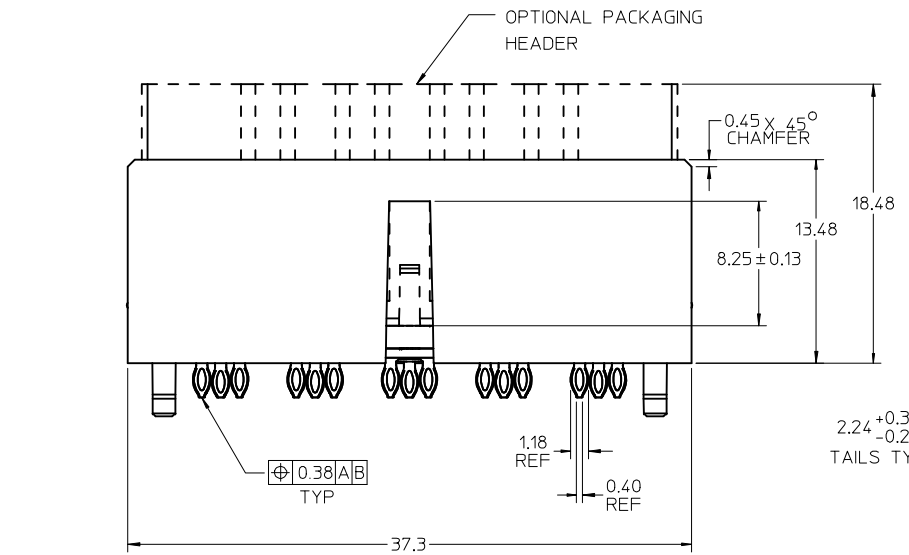
MATL NO.: 74712-5002
POSITIONS 2 & 8 LOADED

SEE SHEET 1 EC NO: UCP2009-1570 DRWN: JMENDOZA2009/01/05 CHKD: BINGHAM 2009/01/05 APPR: BINGHAM 2009/01/05	QUALITY SYMBOLS ▽ -0 ∇ -0	GENERAL TOLERANCES (UNLESS SPECIFIED)		SCALE 4:1	DESIGN UNITS METRIC	THIRD ANGLE PROJECTION	REVISE ON CAD ONLY	
		mm	INCH	DIMENSION STYLE MM ONLY		TITLE SALES DRAWING FOR VERTICAL GANGED RF CONNECTOR, SHORT TAILS		
		4 PLACES ± --- ± ---	3 PLACES ± --- ± ---	DRAWN BY SREED	DATE 2006/06/06	MOLEX INCORPORATED		
		2 PLACES ± --- ± ---	1 PLACE ± --- ± ---	CHECKED BY JBINGHAM	DATE 2006/06/06	MATERIAL NO. SEE CHART	DOCUMENT NO. SD-74712-002	SHEET NO. 2 OF 5
DRAFT WHERE APPLICABLE MUST REMAIN WITHIN DIMENSIONS		ANGULAR ± 2 °		APPROVED BY SREED	DATE 2006/06/06	THIS DRAWING CONTAINS INFORMATION THAT IS PROPRIETARY TO MOLEX INCORPORATED AND SHOULD NOT BE USED WITHOUT WRITTEN PERMISSION		

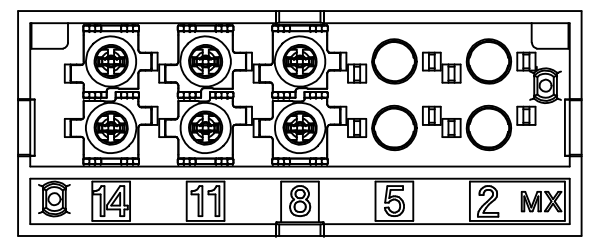


NOTE: REFER TO SHEET 1 FOR ALL DIMENSIONS, SECTION VIEW AND NOTES NOT SHOWN.

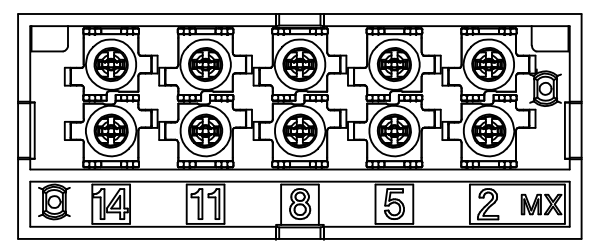
MATERIAL NO.	POSITION OF LOADED TERMINAL(S)	PACKAGING SPEC.
74712-6001	2, 5, 8, 11, 14	PK-74712-210
74712-6002	8, 11, 14	



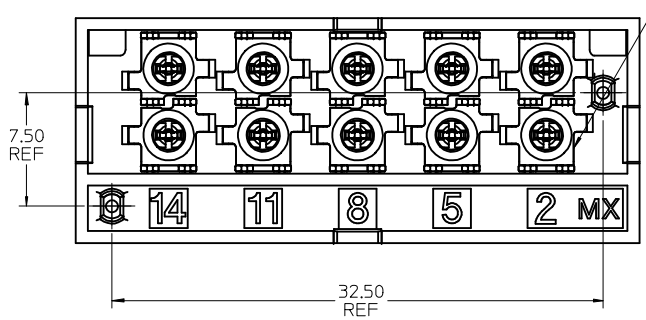
CONTACT LOADING OPTIONS FOR 10 POSITION CONNECTORS



MAT'L NO. 74712-6002
POSITIONS 8, 11 & 14 LOADED

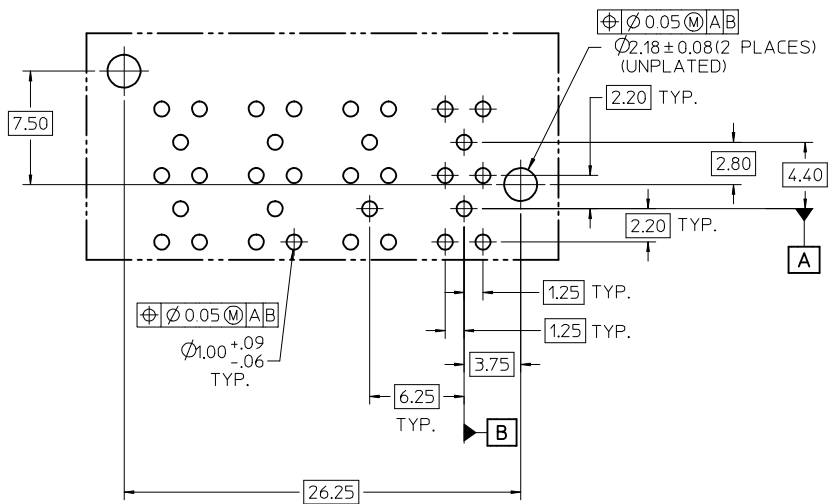


MAT'L NO. 74712-6001
POSITIONS 2, 5, 8, 11 & 14 LOADED

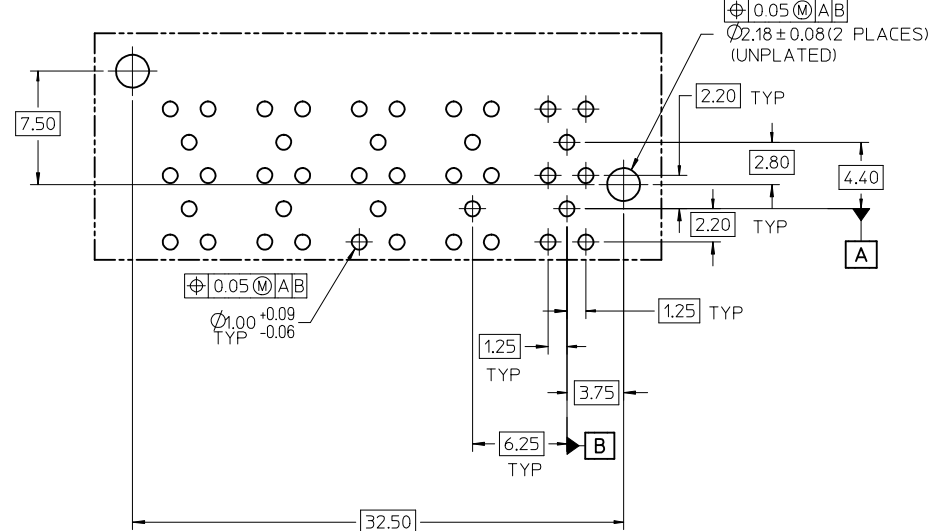


10 POSITION CONNECTOR SHOWN

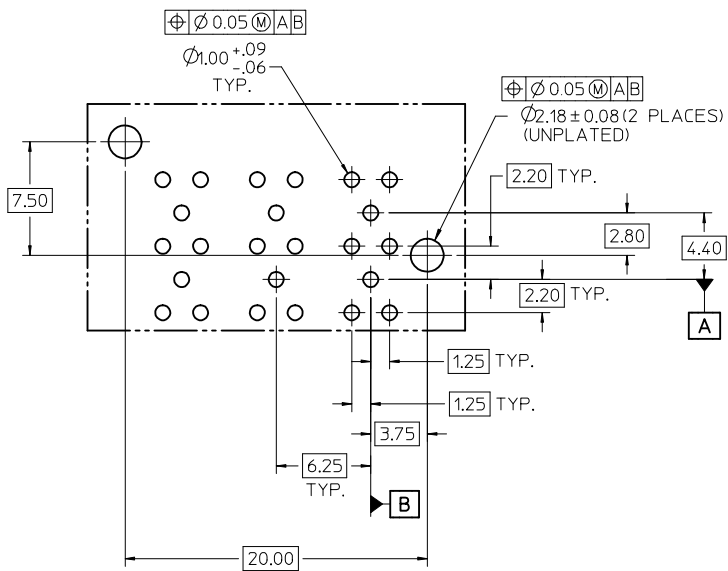
SEE SHEET 1 EC NO: UCP2009-1570 DRWN: JMENDOZA2009/01/05 CHKD: JBINGHAM 2009/01/05 APPR: JBINGHAM 2009/01/05	QUALITY SYMBOLS	GENERAL TOLERANCES (UNLESS SPECIFIED)	SCALE 4:1	DESIGN UNITS METRIC	THIRD ANGLE PROJECTION	REVISE ON CAD ONLY															
	▽ 0 ∇ 0	<table border="1"> <thead> <tr> <th></th> <th>mm</th> <th>INCH</th> </tr> </thead> <tbody> <tr> <td>4 PLACES</td> <td>± ---</td> <td>± ---</td> </tr> <tr> <td>3 PLACES</td> <td>± ---</td> <td>± ---</td> </tr> <tr> <td>2 PLACES</td> <td>± ---</td> <td>± ---</td> </tr> <tr> <td>1 PLACE</td> <td>± ---</td> <td>± ---</td> </tr> </tbody> </table>		mm	INCH	4 PLACES	± ---	± ---	3 PLACES	± ---	± ---	2 PLACES	± ---	± ---	1 PLACE	± ---	± ---	DIMENSION STYLE MM ONLY	TITLE	SALES DRAWING FOR VERTICAL GANGED RF CONNECTOR, SHORT TAILS	
			mm	INCH																	
	4 PLACES	± ---	± ---																		
3 PLACES	± ---	± ---																			
2 PLACES	± ---	± ---																			
1 PLACE	± ---	± ---																			
DRAFT WHERE APPLICABLE MUST REMAIN WITHIN DIMENSIONS	DRAWN BY SREED DATE 2006/06/06 CHECKED BY JBINGHAM DATE 2006/06/06 APPROVED BY SREED DATE 2006/06/06	DIMENSION STYLE ANGULAR ± 2 °	MOLEX INCORPORATED MATERIAL NO. SEE CHART DOCUMENT NO. SD-74712-002	SHEET NO. 3 OF 5																	



RECOMMENDED PCB LAYOUT
FOR THE 8 POSITION CONNECTOR
COMPONENT SIDE
MAX. BOARD THICKNESS: 4.50



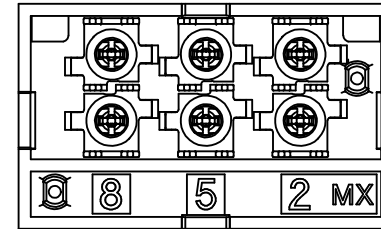
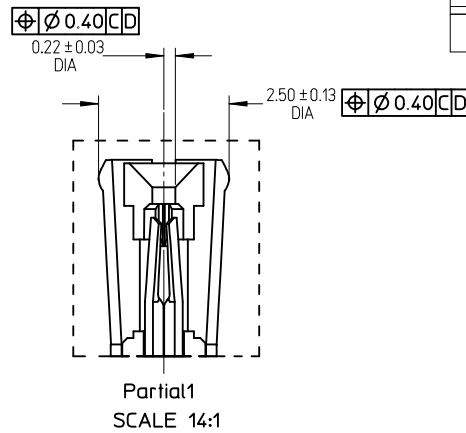
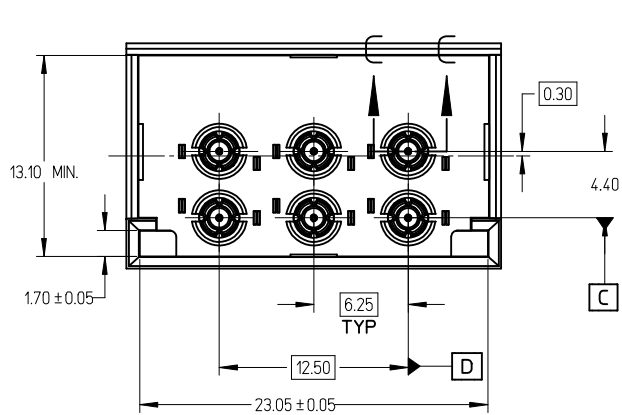
RECOMMENDED PCB LAYOUT
FOR THE 10 POSITION CONNECTOR
COMPONENT SIDE
MAX. BOARD THICKNESS: 4.50



RECOMMENDED PCB LAYOUT
FOR THE 6 POSITION CONNECTOR
COMPONENT SIDE
MAX. BOARD THICKNESS: 4.50

SEE SHEET 1 EC NO: JCP2009-1570 DRWN: JMENDOZA2009/01/05 CHKD: JBINGHAM 2009/01/05 APPR: JBINGHAM 2009/01/05	QUALITY SYMBOLS	GENERAL TOLERANCES (UNLESS SPECIFIED)		SCALE 4:1	DESIGN UNITS METRIC	THIRD ANGLE PROJECTION	REVISE ON CAD ONLY
	▽ - 0 ∇ ± 0		mm	INCH	DIMENSION STYLE MM ONLY		TITLE
		4 PLACES	± ---	± ---	DRAWN BY DATE		SALES DRAWING FOR VERTICAL GANGED RF CONNECTOR, SHORT TAILS
		3 PLACES	± ---	± ---	SREED 2006/06/06	DATE	
	2 PLACES	± ---	± ---	CHECKED BY DATE		MOLEX INCORPORATED	
	1 PLACE	± ---	± ---	JBINGHAM 2006/06/06	DATE		
		ANGULAR ± 2 °		APPROVED BY DATE		MATERIAL NO.	DOCUMENT NO.
		DRAFT WHERE APPLICABLE		SREED 2006/06/06		SEE CHARTS	SD-74712-002
		MUST REMAIN WITHIN DIMENSIONS		THIS DRAWING CONTAINS INFORMATION THAT IS PROPRIETARY TO MOLEX INCORPORATED AND SHOULD NOT BE USED WITHOUT WRITTEN PERMISSION		SHEET NO. 4 OF 5	

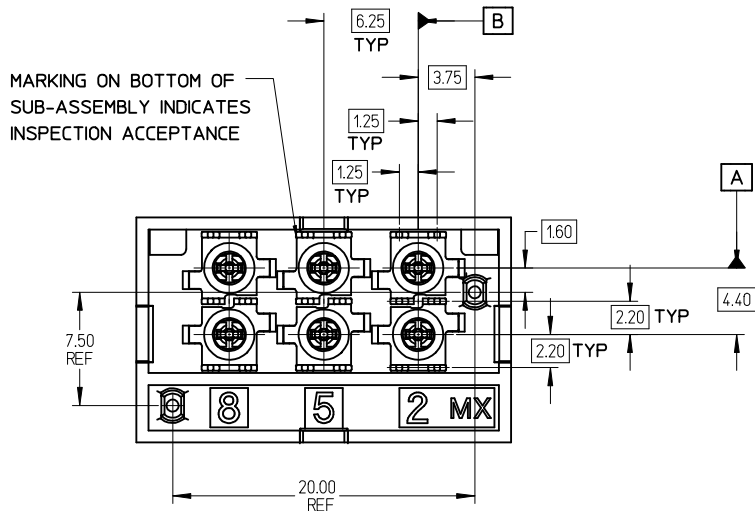
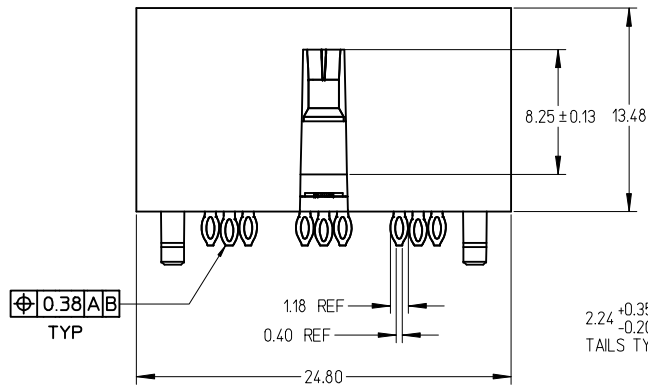
MATERIAL NO.	POSITION OF LOADED TERMINAL(S)	OPTIONAL PACKAGING HEADER	PACKAGING SPEC.
74712-5007	2, 5, 8	NO	PK-74712-101



MATL NO.: 74712-5007
POSITIONS 2, 5 & 8 LOADED

NOTES:

- MATERIAL:
HOUSING: GLASS FILLED THERMO PLASTIC, 94V-0
INSULATOR: GLASS FILLED THERMO PLASTIC, 94V-0
TERMINALS AND GROUND: TIN BRASS
OUTER GROUND CONTACT: PHOSPHOR BRONZE
- PLATING:
TERMINALS:
SELECTIVE 0.76 MICRONS MIN. GOLD IN CONTACT AREA
SELECTIVE 0.88 MICRONS MIN. TIN BOTH OVER
1.27 MICRONS MIN. NICKEL UNDERPLATE
GROUNDS:
0.88 MICRONS MIN. TIN OVERALL OVER
1.27 MICRONS MIN. NICKEL UNDERPLATE
OUTER GROUND CONTACT:
0.76 MICRONS MIN. GOLD OVERALL OVER
1.27 MICRONS MIN. NICKEL UNDERPLATE
- REFER TO PRODUCT SPEC.: PS-74854-001 FOR ELECTRICAL, MECHANICAL AND ENVIRONMENTAL REQUIREMENTS.
- REFER TO PACKAGING SPEC STATED IN CHARTS FOR DETAILS OF THE PACKAGING REQUIREMENTS.
- DATE CODE MARKING TO BE LOCATED ANYWHERE ON PLASTIC HOUSING. FIRST TWO DIGITS = WEEK NUMBER. LAST TWO DIGITS = YEAR.



6 POS. CONNECTOR SHOWN

REV	DESCRIPTION	QUALITY SYMBOLS	GENERAL TOLERANCES (UNLESS SPECIFIED)		DIMENSION STYLE MM ONLY	SCALE 4:1	DESIGN UNITS METRIC	THIRD ANGLE PROJECTION
			mm	INCH				
D	SEE SHEET 1 EC NO: UCP2009-1570 DRWN: MENDOZA 2009/01/05 CHKD: BINGHAM 2009/01/05 APPR: BINGHAM 2009/01/05	▽=0 ▽=0	4 PLACES ± --- ± ---	3 PLACES ± --- ± ---	2 PLACES ± --- ± ---	1 PLACE ± --- ± ---	ANGULAR ± 2 °	DRAFT WHERE APPLICABLE MUST REMAIN WITHIN DIMENSIONS
			DRAWN BY DATE SREED 2006/06/06		CHECKED BY DATE JB INGHAM 2006/06/06	APPROVED BY DATE SREED 2006/06/06	SALES DRAWING FOR VERTICAL GANGED RF CONNECTOR, SHORT TAILS	
			MATERIAL NO. SEE CHART		DOCUMENT NO. SD-74712-002	MOLEX INCORPORATED		SHEET NO. 5 OF 5
THIS DRAWING CONTAINS INFORMATION THAT IS PROPRIETARY TO MOLEX INCORPORATED AND SHOULD NOT BE USED WITHOUT WRITTEN PERMISSION								