

**PLEASE CHECK WWW.MOLEX.COM FOR LATEST PART INFORMATION**

**Part Number:** [0740760005](#)  
**Status:** **Active**  
**Overview:** [vhdm\\_hsd](#)  
**Description:** VHDM-HSD™ Free-Standing Guide Pin

**Documents:**

[Drawing \(PDF\)](#) [RoHS Certificate of Compliance \(PDF\)](#)

**General**

Product Family	Backplane Connectors
Series	<a href="#">74076</a>
Application	Backplane
Application Tooling Documents	<a href="http://www.molex.com/pdm_docs/ats/TM-622010999.pdf">Tooling Manual</a>
Comments	Dimension C = 6/8 row
Component Type	Guide
Overview	<a href="#">vhdm_hsd</a>
Product Name	VHDM®, VHDM-HSD™
Style	N/A

**Physical**

Circuits (Loaded)	0
Circuits (maximum)	0
Durability (mating cycles max)	200
Keying to Mating Part	None
Number of Columns	N/A
Number of Pairs	Open Pin Field
Number of Rows	0
Orientation	N/A
PCB Retention	None
PCB Thickness Recommended (in)	0.070 In, 0.157 In
PCB Thickness Recommended (mm)	1.80 mm, 4.00 mm
Packaging Type	Bag
Pitch - Mating Interface (in)	0.000 In
Pitch - Mating Interface (mm)	0.00 mm
Stackable	No
Surface Mount Compatible (SMC)	No
Temperature Range - Operating	N/A

**Electrical**

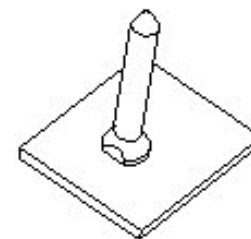
Current - Maximum per Contact	N/A
Data Rate	N/A
Shielded	No
Voltage - Maximum	N/A

**Material Info**

**Reference - Drawing Numbers**

Sales Drawing [SD-74076-002](#), [SD-74076-005](#)

VHDM, VHDM-HSD and Very High Density Metric are trademarks of Amphenol Corporation



*image - Reference only*

*Series*

**EU RoHS**

**ELV and RoHS  
Compliant**  
**REACH SVHC**  
 Not Reviewed  
**Halogen-Free  
Status**  
 Not Reviewed

**China RoHS**



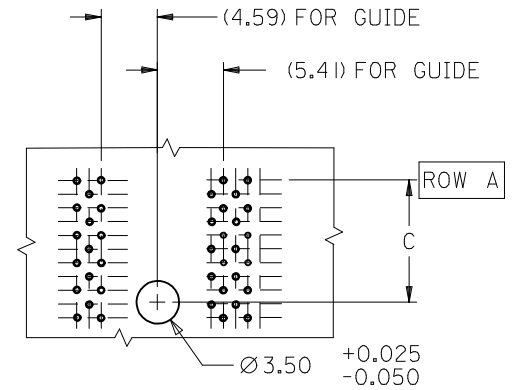
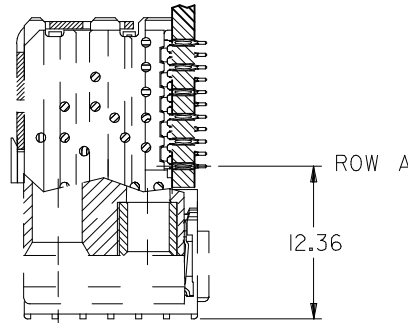
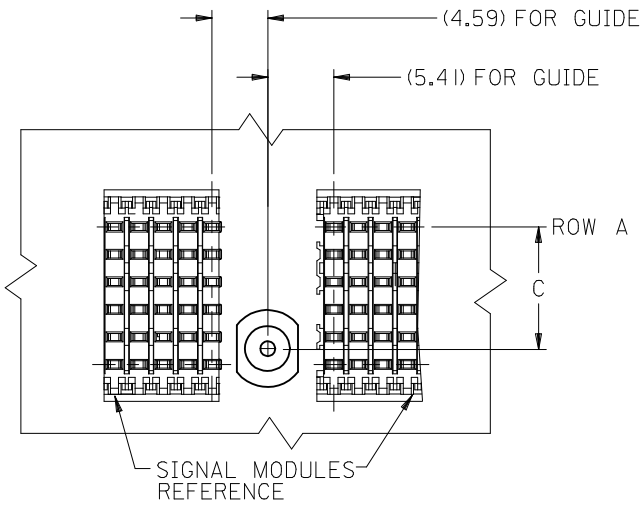
**Need more information on product  
environmental compliance?**

Email [productcompliance@molex.com](mailto:productcompliance@molex.com)  
 For a multiple part number RoHS Certificate of  
 Compliance, [click here](#)

Please visit the [Contact Us](#) section for any  
 non-product compliance questions.

**Search Parts in this Series**

[74076Series](#)

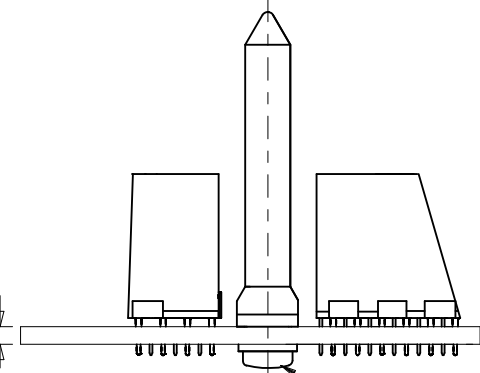


**BACKPLANE HOLE PATTERN**  
FREE STAND GUIDE PIN

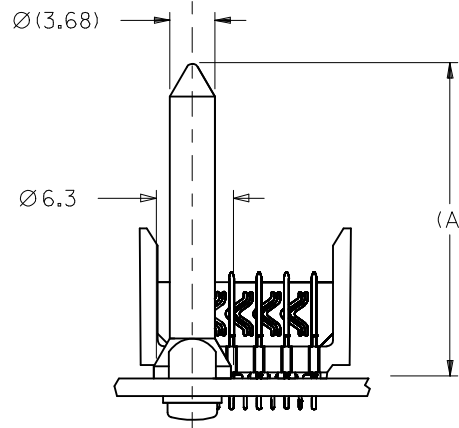
KIT NUMBER	DIM Z BOARD THICKNESS	DIM A
74076-0001	1.8-4.0	25.8
74076-0002	>4.0-9.00	25.8
74076-0005	1.8-4.0	19.9
74076-0006	>4.0-9.00	19.9

**NOTES:**

PACKAGING: STANDARD BULK PACK, 500 PER BAG  
PACKAGE SCREWS AND GUIDE SEPARATE.

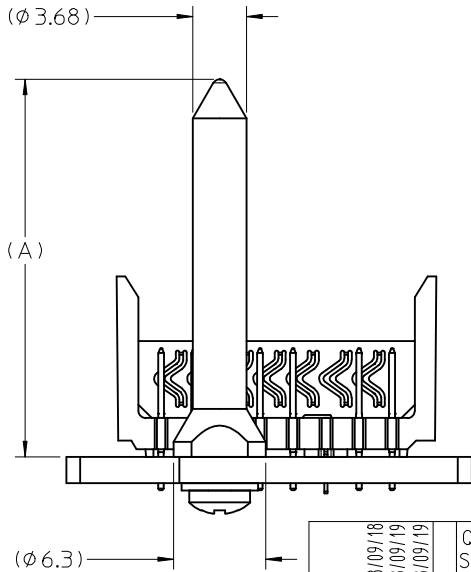
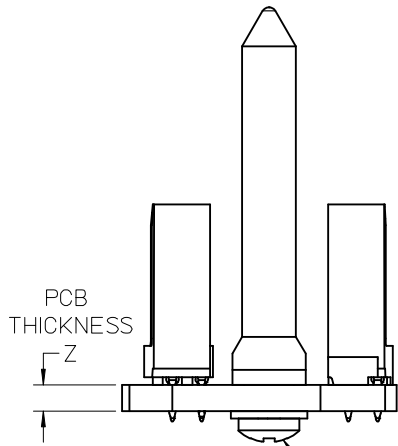
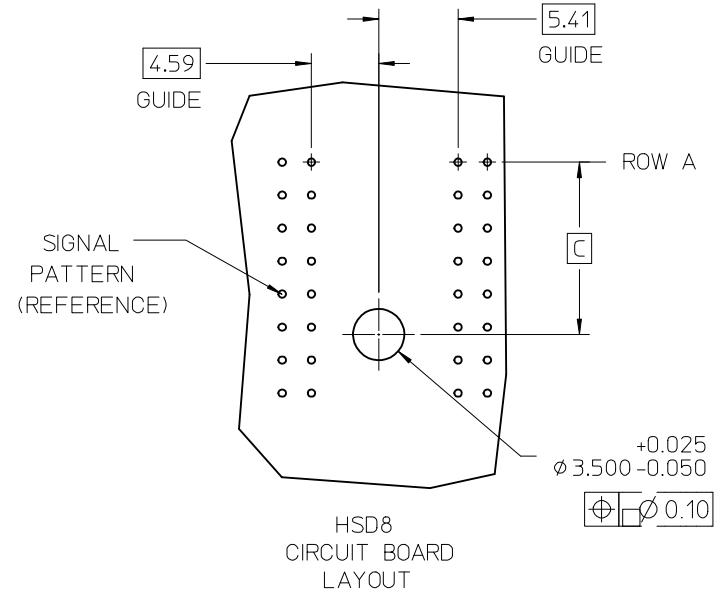
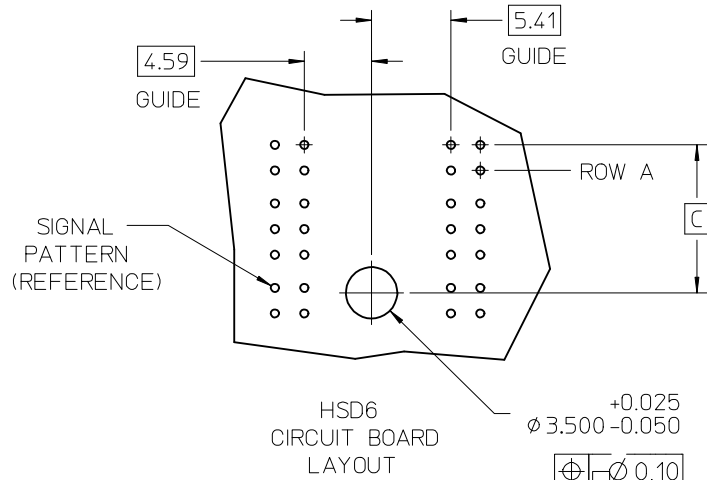
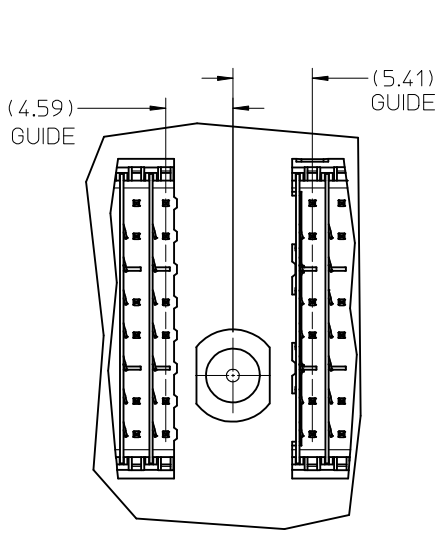


Z PCB THICKNESS  
2-56 SCREW WITH SQ CONICAL WASHER



MATE WITH		DIM C
VHDM 6 ROW	GUIDE MODULE	9.96
	GROUND MODULE	9.26
	JOINER MODULE	9.26
VHDM 8 ROW	GUIDE MODULE	11.75
	GROUND MODULE	11.75
	JOINER MODULE	11.75

<b>ADD PARTS</b> EC NO: UCP2009-0672 DRWN: JB INGHAM 2008/09/18 CHKD: 2008/09/19 APPR: JLAURX 2008/09/19	QUALITY SYMBOLS ▽=0 ▽=0	GENERAL TOLERANCES (UNLESS SPECIFIED)		DIMENSION STYLE <b>MM ONLY</b>		SCALE ---	DESIGN UNITS <b>METRIC</b>	THIRD ANGLE PROJECTION	
		4 PLACES ± --- ± --- 3 PLACES ± --- ± --- 2 PLACES ± 0.10 ± --- 1 PLACE ± 0.15 ± ---	mm INCH	DRAWN BY DATE MWANG 2000/03/17	TITLE <b>VHDM BACKPLANE FREE STANDING GUIDE PIN OPEN ENDS SALES DRAWING</b>				
		ANGULAR ± 3 °		CHECKED BY DATE JLAURX 2000/03/20	APPROVED BY DATE CBIXLER 2000/03/20				
		DRAFT WHERE APPLICABLE MUST REMAIN WITHIN DIMENSIONS		MATERIAL NO. <b>SEE TABLE</b>	DOCUMENT NO. <b>SD-74076-002</b>	SHEET NO. 1 OF 1			



KIT NUMBER	DIM Z BOARD THICKNESS	DIM A
74076-0001	1.8 - 4.0	25.8
74076-0002	>4.0 - 9.0	25.8
74076-0005	1.8 - 4.0	19.9
74076-0006	>4.0 - 9.0	19.9

MATE WITH		DIM C
HSD 6	GUIDE MODULE	10.09
	GROUND MODULE	9.39
	JOINER MODUEL	9.39
HSD 8	GUIDE MODULE	11.75
	GROUND MODULE	11.75
	JOINER MODULE	11.75

- NOTES:
- PARTS TO BE BULK PACKED, 500 PER BAG.
  - SCREWS & GUIDE PINS PACKAGED SEPARATELY.

<b>ADD PARTS</b> EC NO: UCP2009-0672 DRWN: JBINGHAM 2008/09/18 CHKD: 2008/09/19 APPR: JLAURX 2008/09/19	QUALITY SYMBOLS ▽=0 ▽=0	GENERAL TOLERANCES (UNLESS SPECIFIED) mm INCH 4 PLACES ± --- ± --- 3 PLACES ± --- ± --- 2 PLACES ± 0.10 ± --- 1 PLACE ± 0.15 ± --- ANGULAR ± ---°	DIMENSION STYLE <b>MM ONLY</b> DRAWN BY DATE JBINGHAM 2007/03/28 CHECKED BY DATE SREED 2007/03/28 APPROVED BY DATE SREED 2007/03/28	SCALE <b>3:1</b> DESIGN UNITS <b>METRIC</b> THIRD ANGLE PROJECTION	TITLE <b>HSD BACKPLANE                  FREE STANDING GUIDE PIN                  SALES DRAWING</b>
	DRAFT WHERE APPLICABLE MUST REMAIN WITHIN DIMENSIONS		MATERIAL NO.	DOCUMENT NO. <b>SD-74076-005</b>	SHEET NO. 1 OF 1
	THIS DRAWING CONTAINS INFORMATION THAT IS PROPRIETARY TO MOLEX INCORPORATED AND SHOULD NOT BE USED WITHOUT WRITTEN PERMISSION				
	MOLEX INCORPORATED				