

PLEASE CHECK WWW.MOLEX.COM FOR LATEST PART INFORMATION

Part Number: [0702471276](#)
Status: **Active**
Overview: [cgrid_sl_products](#)
Description: 2.54mm (.100") Pitch C-Grid® Header, Dual Row, Low Profile, Right Angle, Shrouded, 12 Circuits, 0.38µm (15µ") Gold (Au) Selective Plating, Tin (Sn) PC Tail Plating, Lead free

Documents:

[3D Model](#) [Product Specification PS-70246-100 \(PDF\)](#)
[Drawing \(PDF\)](#) [RoHS Certificate of Compliance \(PDF\)](#)
[Product Specification PS-70246 \(PDF\)](#)

Agency Certification

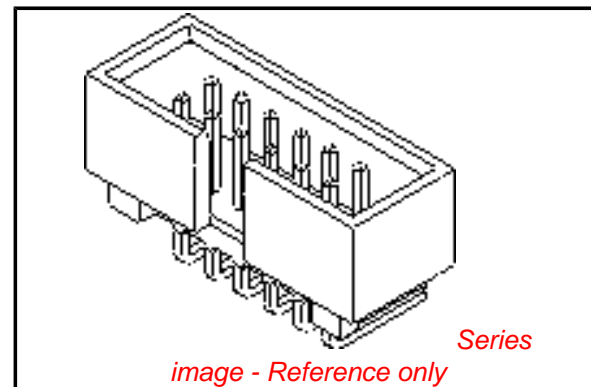
CSA LR19980
 UL E29179

General

Product Family PCB Headers
 Series [70247](#)
 Application Wire-to-Board
 Overview [cgrid_sl_products](#)
 Product Name C-Grid®

Physical

Breakaway No
 Circuits (Loaded) 12
 Circuits (maximum) 12
 Color - Resin Black
 First Mate / Last Break No
 Flammability 94V-0
 Glow-Wire Compliant No
 Guide to Mating Part No
 Keying to Mating Part None
 Lock to Mating Part None
 Material - Plating Mating Gold
 Material - Plating Termination Tin
 Material - Resin Polyester
 Number of Rows 2
 Orientation Right Angle
 PC Tail Length (in) 0.120 In
 PC Tail Length (mm) 3.05 mm
 PCB Locator No
 PCB Retention None
 PCB Thickness Recommended (in) 0.062 In
 PCB Thickness Recommended (mm) 1.60 mm
 Packaging Type Tube
 Pitch - Mating Interface (in) 0.100 In
 Pitch - Mating Interface (mm) 2.54 mm
 Plating min: Mating (µin) 15
 Plating min: Mating (µm) 0.38
 Plating min: Termination (µin) 75
 Plating min: Termination (µm) 1.90
 Polarized to Mating Part Center Slot
 Shrouded Fully
 Stackable No
 Temperature Range - Operating -55°C to +120°C



EU RoHS

**ELV and RoHS
 Compliant**
**REACH SVHC
 Not Reviewed**
**Halogen-Free
 Status
 Not Reviewed**

China RoHS



**Need more information on product
 environmental compliance?**

Email productcompliance@molex.com
 For a multiple part number RoHS Certificate of Compliance, [click here](#)

Please visit the [Contact Us](#) section for any non-product compliance questions.

Search Parts in this Series

[70247Series](#)

Mates With

[70450 SL™](#) Crimp Housing, [70058 SL™](#) Crimp Terminal

Termination Interface: Style Through Hole

Electrical

Current - Maximum per Contact 2.5A
Voltage - Maximum 250V DC

Material Info

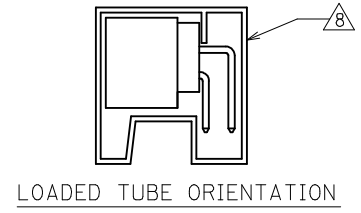
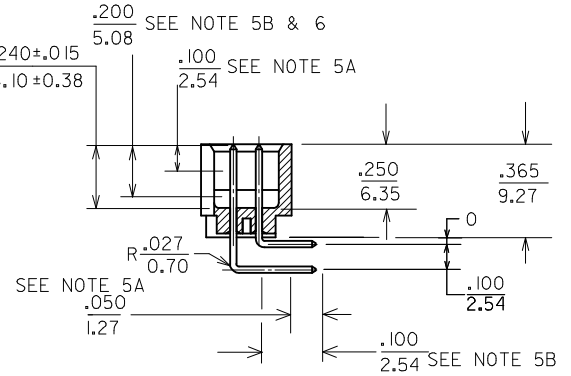
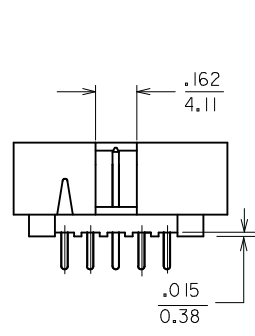
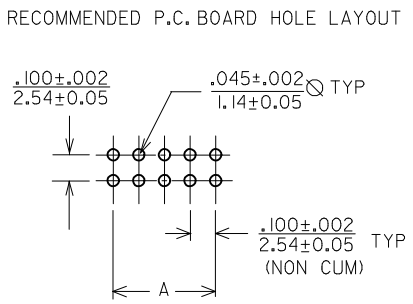
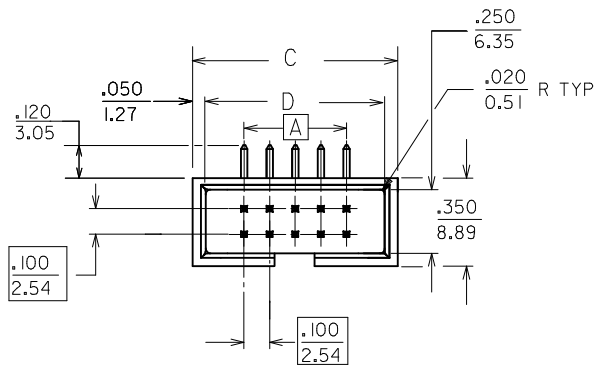
Old Part Number 70247-1266

Reference - Drawing Numbers

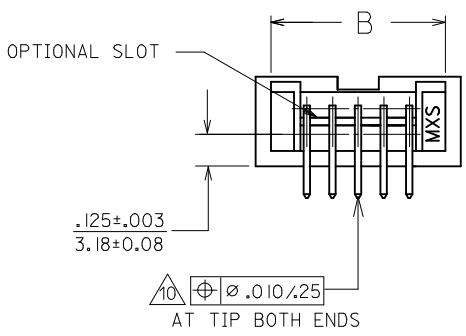
Packaging Specification PK-87835-001
Product Specification PS-70246, PS-70246-100
Sales Drawing SD-70247-**66

This document was generated on 05/24/2010

PLEASE CHECK WWW.MOLEX.COM FOR LATEST PART INFORMATION



SECTION E-E



ADD NOTE 10.
 EC NO: S2009-0830 2009/09/28
 DRWN:SKANG 2009/09/30
 CHKD:ATSEE 2009/09/30
 APPR:MLONG 2009/10/02

REV	DESCRIPTION
D1	

QUALITY SYMBOLS	GENERAL TOLERANCES (UNLESS SPECIFIED)	
	mm	INCH
▽=0	4 PLACES ± ---	± ---
∇=0	3 PLACES ± ---	± .008
	2 PLACES ± 0.20	± ---
	1 PLACE ± ---	± ---
	ANGULAR ± 3 °	

DRAFT WHERE APPLICABLE MUST REMAIN WITHIN DIMENSIONS


DIMENSION STYLE	
IN/MM	
DRAWN BY	DATE
JWAN	1993/10/25
CHECKED BY	DATE
KCLING	1993/10/27
APPROVED BY	DATE
JMCHAN	1993/10/27
MATERIAL NO.	
SEE TABLE	
SIZE	A3


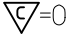
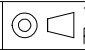
SCALE	DESIGN UNITS	THIRD ANGLE PROJECTION
NTS	METRIC	⊕ □
TITLE		
C-GRID, SHROUDED HEADER R/A (SLOTTED W/O STANDOFFS)		
MOLEX INCORPORATED		
DOCUMENT NO.		SHEET NO.
SD-70247-**66		1 OF 2
THIS DRAWING CONTAINS INFORMATION THAT IS PROPRIETARY TO MOLEX INCORPORATED AND SHOULD NOT BE USED WITHOUT WRITTEN PERMISSION		

10 9 8 7 6 5 4 3 2 1

PART NO.	CKT SIZE	A	B	C	D
70247-0876	08	0.300/7.62	0.580/14.73	0.700/17.78	0.600/15.24
70247-1076	10	0.400/10.16	0.680/17.27	0.800/20.32	0.700/17.78
70247-1276	12	0.500/12.70	0.780/19.81	0.900/22.86	0.800/20.32
70247-1476	14	0.600/15.24	0.880/22.35	1.000/25.40	0.900/22.86
70247-1676	16	0.700/17.78	0.980/24.89	1.100/27.94	1.000/25.40
70247-2076	20	0.900/22.86	1.180/29.97	1.300/33.02	1.200/30.48
70247-2476	24	1.100/27.94	1.380/35.05	1.500/38.10	1.400/35.56
70247-2676	26	1.200/30.48	1.480/37.59	1.600/40.64	1.500/38.10
70247-3076	30	1.400/35.56	1.680/42.67	1.800/45.72	1.700/43.18
70247-3476	34	1.600/40.64	1.880/47.75	2.000/50.80	1.900/48.26
70247-4076	40	1.900/48.26	2.180/55.37	2.300/58.42	2.200/55.88
70247-4476	44	2.100/53.34	2.380/60.45	2.500/63.50	2.400/60.96
70247-4876	48	2.300/58.42	2.580/65.53	2.700/68.58	2.600/66.04
70247-5076	50	2.400/60.96	2.680/68.07	2.800/71.12	2.700/68.58
70247-5676	56	2.700/68.58	2.980/75.69	3.100/78.74	3.000/76.20
70247-6076	60	2.900/73.66	3.180/80.77	3.300/83.82	3.200/81.28
70247-6476	64	3.100/78.74	3.380/85.85	3.500/88.90	3.400/86.36
70247-7276	72	3.500/88.90	3.780/96.01	3.900/99.06	3.800/96.52

NOTES:

1. PIN PUSHOUT FORCE (.9072KG)/2LBS MIN.
 2. PIN SOLDERABILITY PER MOLEX SPEC. ES-152
 3. PRODUCT SPEC: PS-70246 APPLIES.
 4. WAFER TO BE FLAT WITHIN (0.03MM/CM) 0.003IN/IN
 5. DIMENSIONS FOR PLATING LOCATION : A-MEASURE POINT FOR THICKNESS.
B-MINIMUM COVERAGE
 6. GOLD END OF PIN UNLESS OVERALL PLATED.
 7. PLATING : 50µin MIN NICKEL UNDERPLATE OVERALL.
15µin MIN AU & 75µin MIN TIN IN SELECTED AREAS.
 8. PART TO BE PACK IN TUBE
 9. MATERIAL:
PINS: .025 SQ. 260 BRASS.
WAFER: PBT, GLASS FILLED, UL94V-0, COLOR-BLACK.
10.  SOLDER TAIL POSITION TOLERANCE TO BE GAUGED.

ADD NOTE 10. EC NO: S2009-0830 DRWN:SKANG CHKD:ATSEE APPR:MLONG	2009/09/28 2009/09/30 2009/10/02	QUALITY SYMBOLS  = 0  = 0	GENERAL TOLERANCES (UNLESS SPECIFIED)		DIMENSION STYLE IN/MM		SCALE NTS	DESIGN UNITS METRIC	 THIRD ANGLE PROJECTION			
			mm	INCH	DRAWN BY	DATE	TITLE C-GRID, SHROUDED HEADER R/A (SLOTTED W/O STANDOFFS)					
			± ---	± ---	JWAN	1993/10/25						
			± ---	± .008	CHECKED BY	DATE	MOLEX INCORPORATED					
		± 0.20	± ---	KCLING	1993/10/27							
		± ---	± ---	APPROVED BY	DATE	MATERIAL NO. DOCUMENT NO. SHEET NO. SEE TABLE SD-70247-***66 2 OF 2						
		ANGULAR ± 3 °		JMCHAN	1993/10/27							
DRAFT WHERE APPLICABLE MUST REMAIN WITHIN DIMENSIONS				SIZE A3		THIS DRAWING CONTAINS INFORMATION THAT IS PROPRIETARY TO MOLEX INCORPORATED AND SHOULD NOT BE USED WITHOUT WRITTEN PERMISSION						

9 8 7 6 5 4 3 2 1