

**PLEASE CHECK WWW.MOLEX.COM FOR LATEST PART INFORMATION**

**Part Number:** [0702470869](#)  
**Status:** **Active**  
**Overview:** [cgrid\\_sl\\_products](#)  
**Description:** 2.54mm (.100") Pitch C-Grid® Header, Dual Row, Low Profile, Right Angle, Shrouded, 8 Circuits, 0.38µm (15µ") Gold (Au) Selective Plating, Tin (Sn) PC Tail Plating, without Standoff, Lead-free

**Documents:**

[3D Model](#) [Product Specification PS-70246-100 \(PDF\)](#)  
[Drawing \(PDF\)](#) [RoHS Certificate of Compliance \(PDF\)](#)  
[Product Specification PS-70246 \(PDF\)](#)

**Agency Certification**

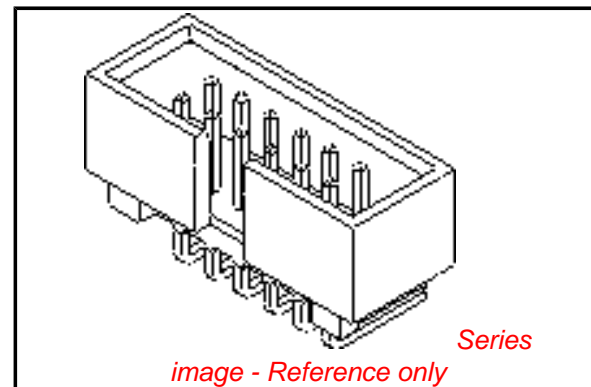
CSA LR19980  
 UL E29179

**General**

Product Family PCB Headers  
 Series [70247](#)  
 Application Wire-to-Board  
 Overview [cgrid\\_sl\\_products](#)  
 Product Name C-Grid®

**Physical**

Breakaway No  
 Circuits (Loaded) 8  
 Circuits (maximum) 8  
 Color - Resin Black  
 Durability (mating cycles max) 50  
 First Mate / Last Break No  
 Flammability 94V-0  
 Glow-Wire Compliant No  
 Guide to Mating Part No  
 Keying to Mating Part None  
 Lock to Mating Part None  
 Material - Plating Mating Gold  
 Material - Plating Termination Tin  
 Material - Resin Polyester  
 Number of Rows 2  
 Orientation Right Angle  
 PC Tail Length (in) 0.120 In  
 PC Tail Length (mm) 3.05 mm  
 PCB Locator No  
 PCB Retention None  
 PCB Thickness Recommended (in) 0.062 In  
 PCB Thickness Recommended (mm) 1.60 mm  
 Packaging Type Tray  
 Pitch - Mating Interface (in) 0.100 In  
 Pitch - Mating Interface (mm) 2.54 mm  
 Plating min: Mating (µin) 15.2  
 Plating min: Mating (µm) 0.38  
 Plating min: Termination (µin) 75.2  
 Plating min: Termination (µm) 1.88  
 Polarized to Mating Part Center Slot  
 Shrouded Fully  
 Stackable No



**EU RoHS**

**ELV and RoHS  
 Compliant**  
**REACH SVHC  
 Not Reviewed**  
**Halogen-Free  
 Status  
 Not Reviewed**

**China RoHS**



**Need more information on product  
 environmental compliance?**

Email [productcompliance@molex.com](mailto:productcompliance@molex.com)  
 For a multiple part number RoHS Certificate of Compliance, [click here](#)

Please visit the [Contact Us](#) section for any non-product compliance questions.

**Search Parts in this Series**

[70247Series](#)

**Mates With**

[70450 SL™](#) Crimp Housing, [70058 SL™](#) Crimp Terminal

Temperature Range - Operating -55°C to +120°C  
Termination Interface: Style Through Hole

**Electrical**

Current - Maximum per Contact 2.5A  
Voltage - Maximum 250V DC

**Material Info**

Old Part Number 70247-0859

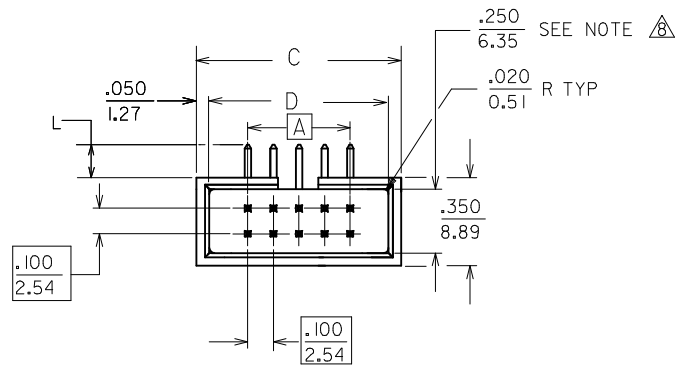
**Reference - Drawing Numbers**

Packaging Specification PK-87835-001  
Product Specification PS-70246, PS-70246-100  
Sales Drawing SD-70247-\*\*59

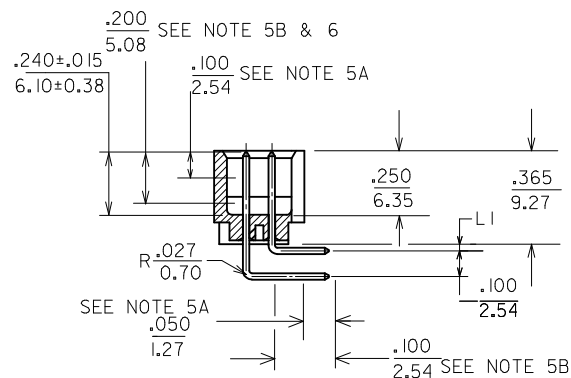
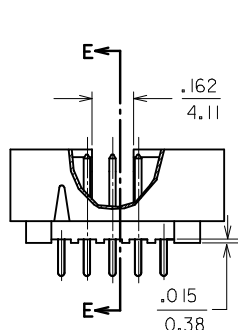
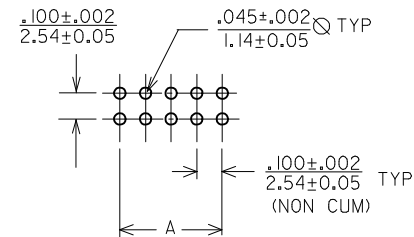
This document was generated on 05/24/2010

**PLEASE CHECK [WWW.MOLEX.COM](http://WWW.MOLEX.COM) FOR LATEST PART INFORMATION**

ASSEMBLY PART NO.	CKT SIZE	A	B	C	D	L	LI
70247-0869	08	.300/7.62	.580/14.73	.700/17.78	.600/15.24	.120/3.05	0
70247-3469	34	1.600/40.64	1.880/47.76	2.000/50.80	1.900/48.26	.120/3.05	0
70247-5069	50	2.400/60.96	2.680/68.07	2.800/71.12	2.700/68.58	.120/3.05	0



RECOMMENDED P.C. BOARD HOLE LAYOUT



NOTES:

- PIN PUSHOUT FORCE (.9072KG)/2LBS MIN.
- PIN SOLDERABILITY PER MOLEX SPEC. ES-152
- PRODUCT SPEC: PS-70246 APPLIES.
- WAFER TO BE FLAT WITHIN (0.03MM/CM) 0.003IN/IN
- DIMENSIONS FOR PLATING LOCATION : A-MEASURE POINT FOR THICKNESS. B-MINIMUM COVERAGE
- GOLD END OF PIN UNLESS OVERALL PLATED.
- PLATING : - 15µin MIN AU & 75µin MIN TIN IN SELECTED AREAS. WITH 50µin MIN NICKEL UNDERPLATE OVERALL.

10. DIMENSION AT UPPER CENTER OF THE SHROUDED WALL CAN BE (5.81)/.228.

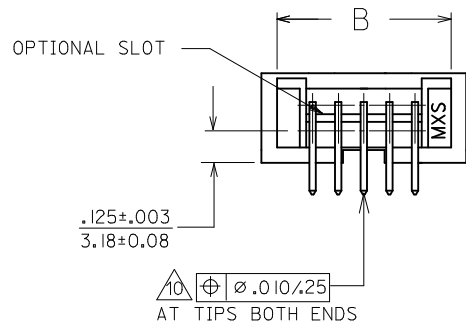
9. MATERIAL:

PINS: .025 SQ. 260 BRASS OR EQUIVALENT.

WAFER: PBT, GLASS FILLED, UL94V-0, COLOUR: BLACK.

10. SOLDER TAIL POSITION TOLERANCE TO BE GAUGED.

SECTION E-E



ADD NOTE 10. EC NO: S2009-0830 DRWN:SKANG CHKD:ATSEE APPR:MLONG	DESCRIPTION REV	QUALITY SYMBOLS		GENERAL TOLERANCES (UNLESS SPECIFIED)		DIMENSION STYLE		SCALE	DESIGN UNITS	THIRD ANGLE PROJECTION	
		mm	INCH	mm	INCH	IN/MM	NTS	METRIC	PROJECTION		
D1		▽=0		4 PLACES	± ---	± ---	DRAWN BY	DATE	TITLE	C-GRID, SHROUDED HEADER R/A (SLOTTED W/O STANDOFFS) <b>MOLEX</b> MOLEX INCORPORATED SD-70247-**-59	
		∇=0		3 PLACES	± ---	± .008	JWAN	1991/10/17			
				2 PLACES	± 0.20	± ---	CHECKED BY	DATE			
				1 PLACE	± ---	± ---	TAY	1991/10/22			
				ANGULAR ± 3 °			APPROVED BY	DATE			
			DRAFT WHERE APPLICABLE MUST REMAIN WITHIN DIMENSIONS			RWONG	1991/10/22				
				SIZE	THIS DRAWING CONTAINS INFORMATION THAT IS PROPRIETARY TO MOLEX INCORPORATED AND SHOULD NOT BE USED WITHOUT WRITTEN PERMISSION						