

PLEASE CHECK WWW.MOLEX.COM FOR LATEST PART INFORMATION

Part Number: [0350689842](#)
Status: **Active**
Description: MP-Lock™ Quick Disconnect, Female, for 16-20 AWG (1.31-0.52mm²), Metal Strip, Tab 4.75 by 0.50mm (.187 by .020"), Pre-Tin Plated, Insertion Force 0.8-1.4kgf (7.8-13.7N)

Documents:

[Drawing \(PDF\)](#) [RoHS Certificate of Compliance \(PDF\)](#)
[Product Specification PS-68416-001 \(PDF\)](#)

General

Product Family	Quick Disconnects
Series	35068
Crimp Quality Equipment	Yes
Product Name	MP-Lock™
Type	Quick Disconnect

Physical

Barrel Type	Open
Gender	Female
Glow-Wire Compliant	No
Insulation	None
Lock to Mating Part	Yes
Material - Metal	Brass
Material - Plating Mating	Tin
Material - Plating Termination	Tin
Orientation	Straight
Packaging Type	Reel
Plating min: Mating (µin)	32.00
Plating min: Mating (µm)	0.800
Plating min: Termination (µin)	32.00
Plating min: Termination (µm)	0.80
Polarized to Mating Part	Yes
Tab Thickness	0.51mm (.020")
Tab Width	4.75mm (.187")
Temperature Range - Operating	-40°C to +105°C
Termination Interface: Style	Crimp or Compression
Wire Insulation Diameter	3.40mm (.134") max.
Wire Size AWG	16, 18, 20
Wire Size mm ²	0.50 - 1.30

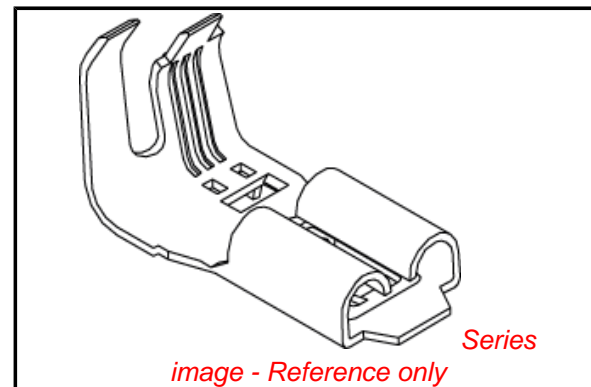
Electrical

Voltage - Maximum	300V
-------------------	------

Material Info

Reference - Drawing Numbers

Product Specification	PS-68416-001
Sales Drawing	SD-35068-980



EU RoHS

ELV and RoHS Compliant
REACH SVHC
Contains SVHC: No
Halogen-Free Status

China RoHS



Need more information on product environmental compliance?

Email productcompliance@molex.com
 For a multiple part number RoHS Certificate of Compliance, [click here](#)

Please visit the [Contact Us](#) section for any non-product compliance questions.

Search Parts in this Series

[35068Series](#)

Use With

[35189](#) , [35817](#) , [35961](#)

Application Tooling | FAQ

Tooling specifications and manuals are found by selecting the products below. Crimp Height Specifications are then contained in the Application Tooling Specification document.

Global

Description	Product #
Mini-Mac™ Applicator	0638014300

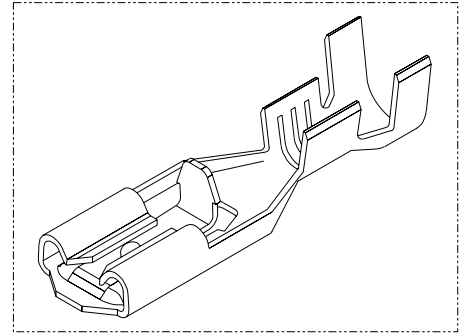
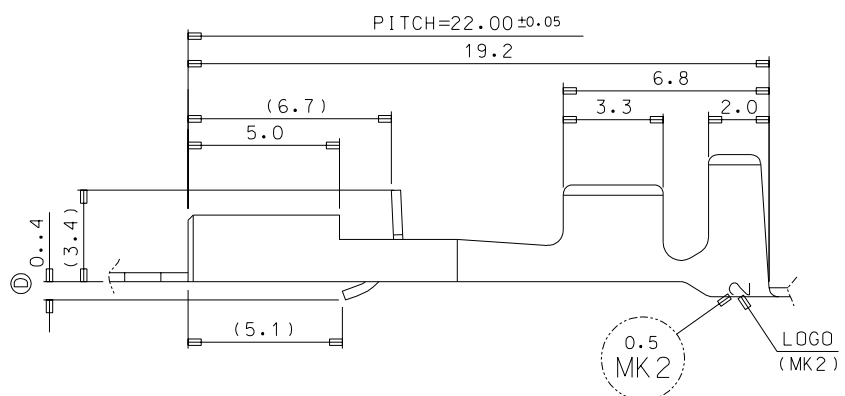
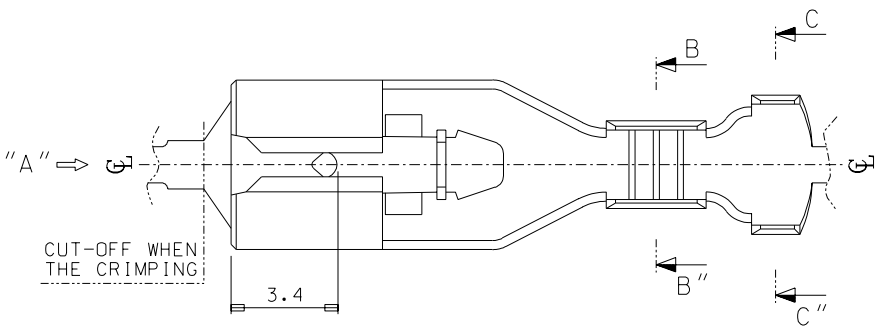
DO NOT SCALE DRAWING
DIMENSION IN METRIC

C

PROJECT NO.
187 MP-LOCK CONN

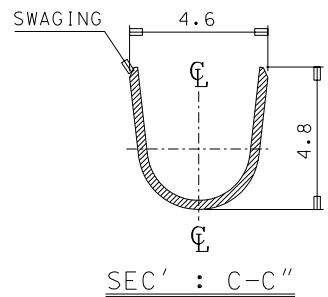
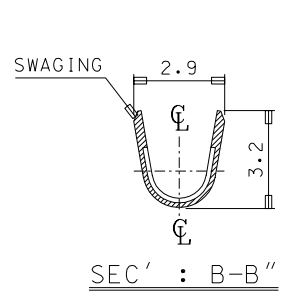
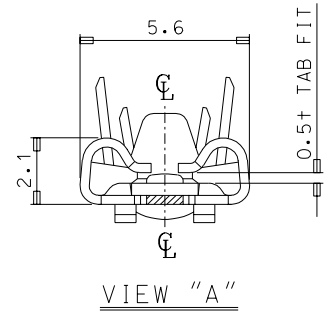
SIMILAR ITEM

DWG. NO.
SD-35068-980



- NOTES
1. MATERIAL : BRASS, 0.30 mm THICKNESS
 2. FINISH : PRE-PLATED TIN
 3. MATING TAB THICKNESS : 0.50 mm
 4. RECOMMENDED LENGTH OF WIRE STRIP IS 4.4-5.0mm.
 5. APPLICABLE WIRE : AWG #20-#16
INSULATION DIA. : ϕ 1.9-3.4mm

MATERIAL NO.	ENG NO.	REMARK
350689802	35068-9802	HIGH TENSION VERSION
350689842	35068-9842	LOW TENSION VESION



REVISED	EC NO. KOR 2003-0004 DRWN: C.B.CHIN 02/07/05 CHK: W.Y. YANG APPR: C.W.LEE	DESCRIPTION	QUALITY SYMBOLS	GENERAL TOLERANCES: (UNLESS SPECIFIED)		SCALE	DESIGN UNITS	THIRD ANGLE PROJECTION	DIMENSIONS:		SHT	REV	
			MAJOR = 0	mm	INCH	6/1	<input checked="" type="checkbox"/> mm <input type="checkbox"/> INCH	<input type="checkbox"/> mm <input type="checkbox"/> INCH	<input type="checkbox"/> mm ONLY	REVISE ON CAD ONLY			
			CRITICAL C = 0	4 PLACES $\pm 0.$	3 PLACES $\pm 0.$	2 PLACES ± 0.2	1 PLACE ± 0.3	DRAWN BY & DATE J. S. KANG 97/12/02		TITLE: .187 MP-LOCK TM'L(M) (0.5+ TAB FIT)			
			ANGULAR: $\pm 1^\circ$	DRAFT WHERE APPLICABLE MUST REMAIN WITHIN DIMENSIONS		CAD FILENAME s35068.dgn		MATERIAL NO. SEE CHART		DRAWING NO. SD-35068-980		SHEET NO. 1 of 1	
F	REV		THIS DRAWING CONTAINS INFORMATION THAT IS PROPRIETARY TO MOLEX INCORPORATED AND SHOULD NOT BE USED WITHOUT WRITTEN PERMISSION.									SIZE B	