

4

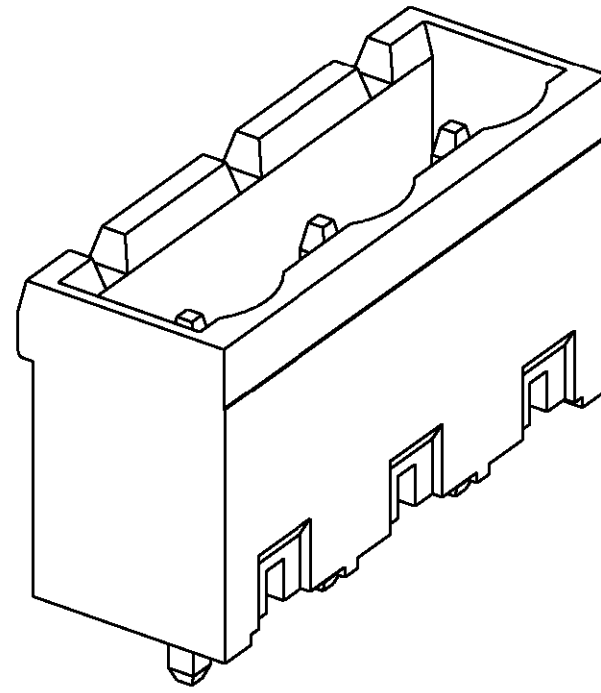
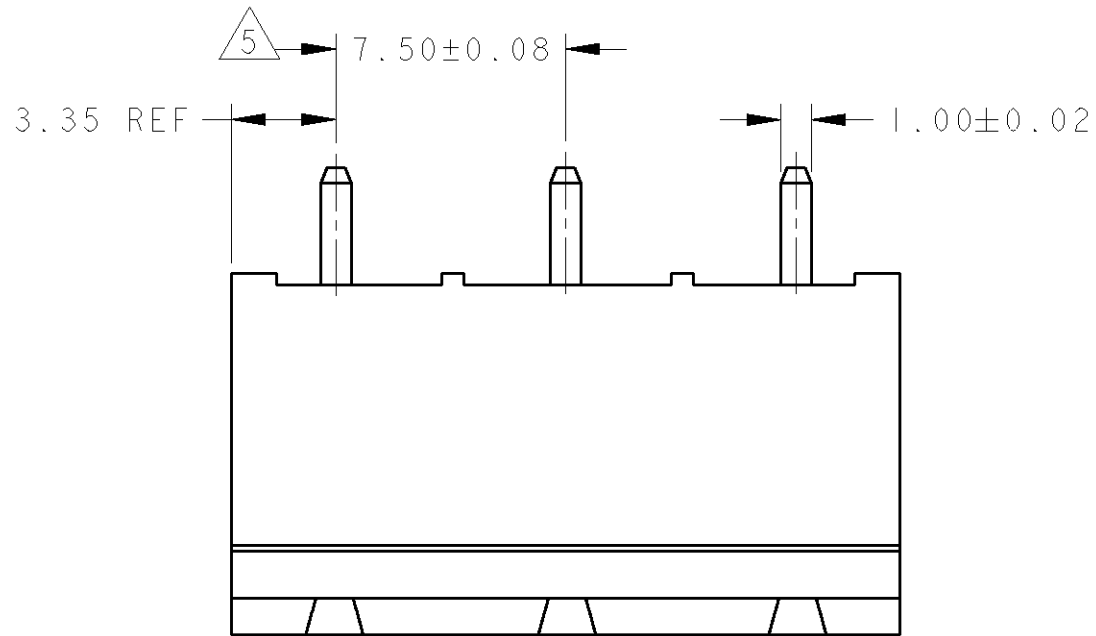
3

2

1

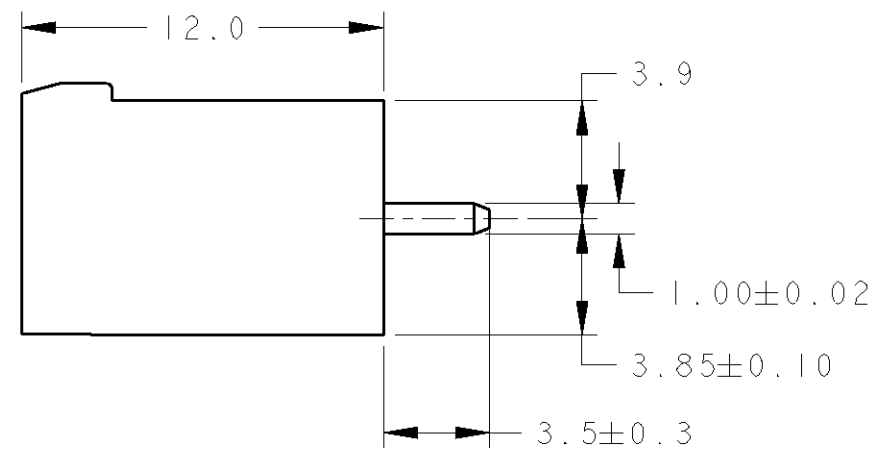
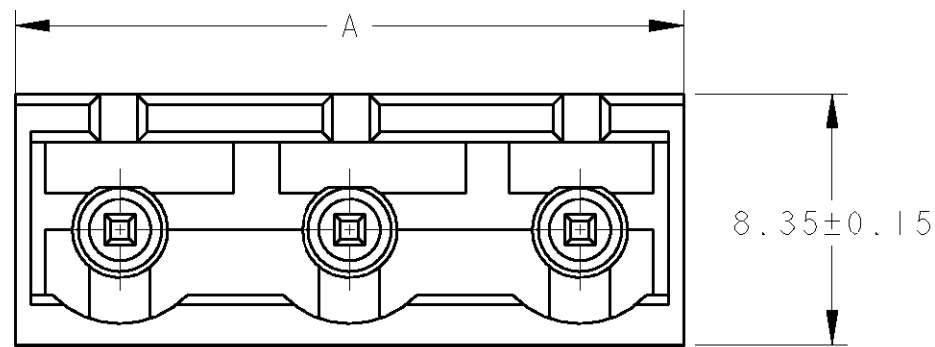
THIS DRAWING IS UNPUBLISHED. RELEASED FOR PUBLICATION 20  
© COPYRIGHT 20 BY TYCO ELECTRONICS CORPORATION. ALL RIGHTS RESERVED.

| LOC | DIST | REVISIONS   |                          |           |       |
|-----|------|-------------|--------------------------|-----------|-------|
| P   | LTR  | DESCRIPTION | DATE                     | DWN       | APVD  |
| FT  | 0    |             |                          |           |       |
|     |      | C           | REVISED PER 0G3B-0119-01 | 14DEC2001 | EZ DB |
|     |      |             |                          |           |       |
|     |      |             |                          |           |       |



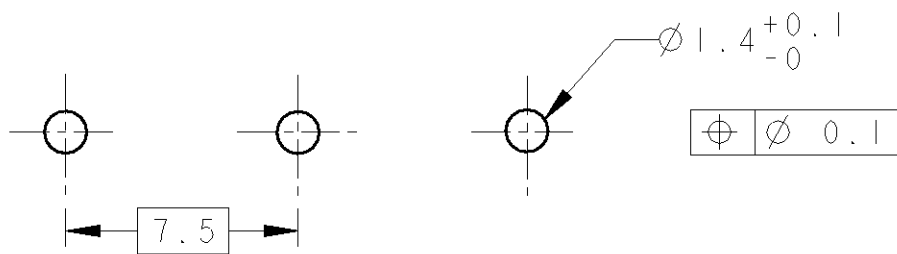
282964-3 AS SHOWN

- 1 MATERIALS AND FINISH  
HOUSING: PA 6-6, UL 94-V0, COLOR GREEN.  
TERMINAL: PHOSPHOR BRONZE, TIN PLATED.
- 2 SUITABLE FOR 1,6-2,4mm PC BOARD THICKNESS.
- 3 RECOGNIZED UNDER THE COMPONENT PROGRAM OF UNDERWRITERS LABORATORIES INC. FILE N° E60677.
- 4 IMQ CERTIFICATE WITH SURVEILLANCE IN CONFORMITY WITH IEC 998-1/998-2-1.
- 5 NOT CUMULATIVE TOLERANCE.



| 89.20  | 12         | 1-282964-2  |
|--------|------------|-------------|
| 81.70  | 11         | 1-282964-1  |
| 74.20  | 10         | 1-282964-0  |
| 66.70  | 9          | 282964-9    |
| 59.20  | 8          | 282964-8    |
| 51.70  | 7          | 282964-7    |
| 44.20  | 6          | 282964-6    |
| 36.70  | 5          | 282964-5    |
| 29.20  | 4          | 282964-4    |
| 21.70  | 3          | 282964-3    |
| 14.20  | 2          | 282964-2    |
| DIM. A | N° OF POS. | PART NUMBER |

RECOMMENDED PC BOARD LAYOUT



|  |  |   |  |  |  |
|--|--|---|--|--|--|
| <small>THIS DRAWING IS A CONTROLLED DOCUMENT FOR TYCO ELECTRONICS CORPORATION. IT IS SUBJECT TO CHANGE AND THE CONTROLLING ENGINEERING ORGANIZATION SHOULD BE CONTACTED FOR THE LATEST REVISION.</small> |  | DWN E. ZANOLINI 14DEC2001<br>CHK D. BIEVENOUR 14DEC2001<br>APVD D. BIEVENOUR 14DEC2001                          |  | <b>BUCHANAN</b> Tyco Electronics<br>Harrisburg, PA 17105-3608            |  |
| DIMENSIONS: mm<br>   |  | TOLERANCES UNLESS OTHERWISE SPECIFIED:<br>0 PLC ±<br>1 PLC ±.3<br>2 PLC ±.25<br>3 PLC ±<br>4 PLC ±<br>ANGLES ±2 |  | NAME: TERMINAL BLOCK, HEADER ASSEMBLY<br>180° CLOSED ENDS<br>7.5mm PITCH |  |
| MATERIAL:  |  | FINISH:   |  | PRODUCT SPEC: 108-20166<br>APPLICATION SPEC: 114-20079<br>WEIGHT: -      |  |
| CUSTOMER DRAWING   |  |   |  | SIZE: A3 CAGE CODE: 00779 DRAWING NO: C=282964 RESTRICTED TO: -          |  |
| SCALE: 4:1   |  |   |  | SHEET 1 OF 1 REV C   |  |