

PLEASE CHECK WWW.MOLEX.COM FOR LATEST PART INFORMATION

Part Number: **0675031230**
Status: **Active**
Overview: [usb_otg_onthego](#)
Description: 0.80mm (.031") Pitch, USB On-The-Go (OTG) Mini-B Receptacle, Surface Mount, Right Angle, Solder Tabs without Back Cover and PCB Locator Pegs, Lead Free

Documents:

[3D Model](#) [Product Specification PS-67803-001 \(PDF\)](#)
[Drawing \(PDF\)](#) [RoHS Certificate of Compliance \(PDF\)](#)

General

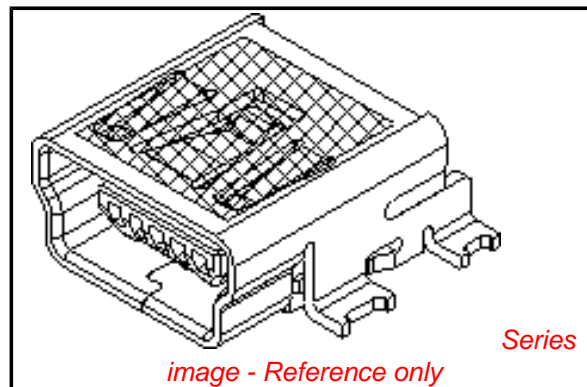
Product Family	I/O Connectors
Series	67503
Application	Wire-to-Board
Comments	Without Back Cover
Component Type	Receptacle
Overview	usb_otg_onthego
Product Name	USB OTG (On-The-Go)
Type	Mini-B

Physical

Boot Color	N/A
Circuits (Loaded)	5
Circuits (maximum)	5
Color - Resin	Black
Gender	Receptacle
Lock to Mating Part	Yes
Material - Metal	Copper Alloy
Material - Plating Mating	Gold
Material - Plating Termination	Tin
Material - Resin	High Temperature Thermoplastic
Number of Rows	1
Orientation	Right Angle
PCB Locator	No
PCB Retention	Yes
Packaging Type	Embossed Tape on Reel
Panel Mount	No
Pitch - Mating Interface (in)	0.031 In
Pitch - Mating Interface (mm)	0.80 mm
Pitch - Term. Interface (in)	0.031 In
Pitch - Term. Interface (mm)	0.80 mm
Plating min: Mating (µin)	30
Plating min: Mating (µm)	0.75
Plating min: Termination (µin)	40
Plating min: Termination (µm)	1
Polarized to Mating Part	Yes
Polarized to PCB	Yes
Ports	1
Temperature Range - Operating	0°C to +50°C
Termination Interface: Style	Surface Mount
Waterproof / Dustproof	No
Wire Size AWG	N/A

Electrical

Current - Maximum per Contact	1A
Shield Type	Full Shield



EU RoHS

**ELV and RoHS
Compliant**
REACH SVHC
 Not Reviewed
**Halogen-Free
Status**

China RoHS



**Need more information on product
environmental compliance?**

Email productcompliance@molex.com
 For a multiple part number RoHS Certificate of Compliance, [click here](#)

Please visit the [Contact Us](#) section for any non-product compliance questions.

Search Parts in this Series

[67503Series](#)

Mates With

[47014 USB Mini-B Plug Kit](#)

Shielded
Voltage - Maximum

Yes
30V AC (RMS)/DC

Material Info

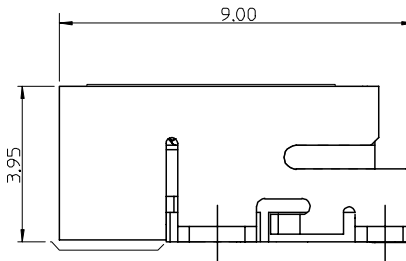
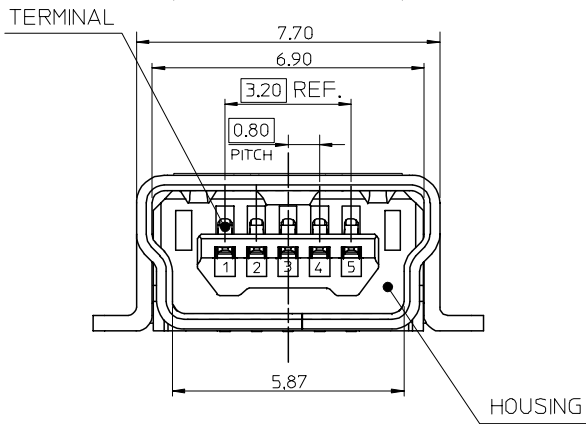
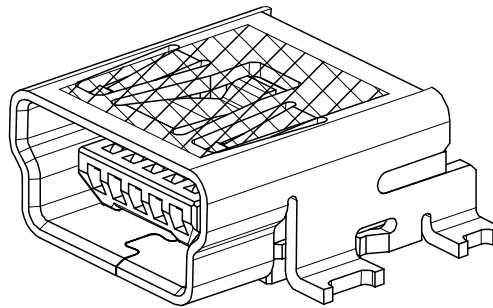
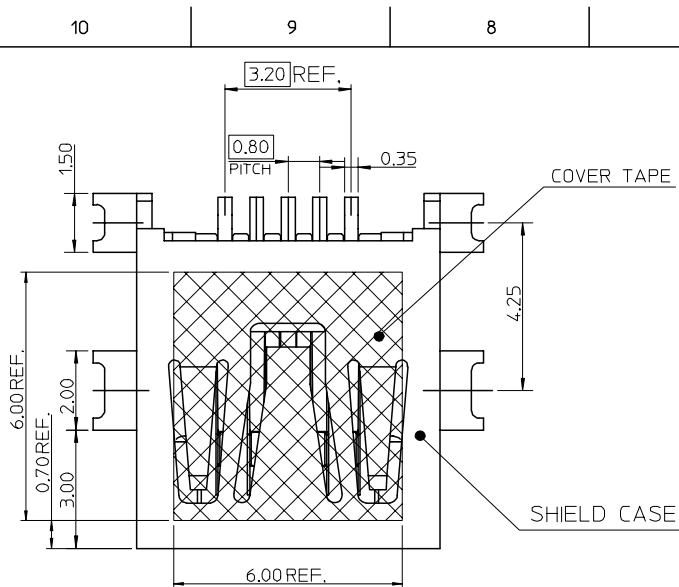
Reference - Drawing Numbers

Packaging Specification
Product Specification
Sales Drawing

PK-67503-001
PS-67803-001
SD-67503-011

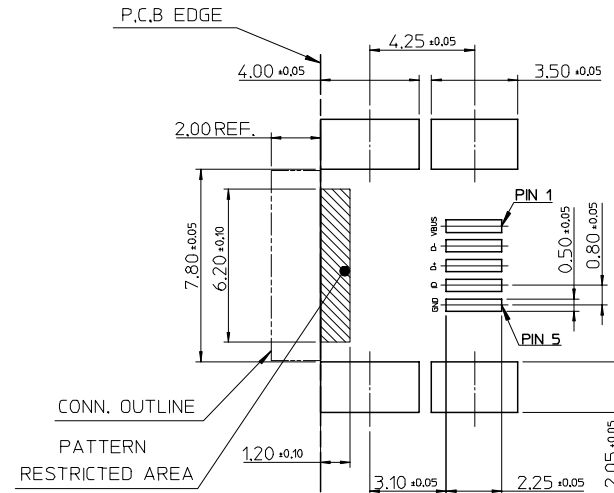
This document was generated on 05/19/2010

PLEASE CHECK WWW.MOLEX.COM FOR LATEST PART INFORMATION



NOTE :

- MATERIAL :
HOUSING : NYLON GLASS FILLED , BLACK,UL94V-0
TERMINAL : COPPER ALLOY THICKNESS = 0.2 MM
SHIELD CASE : COPPER ALLOY THICKNESS = 0.4 MM
- PLATING :
TERMINAL:
CONTACT AREA : GOLD 0.75 MICROMETER MINIMUM.
SOLDER TAIL AREA : PURE TIN 3.8 MICROMETER MINIMUM.
UNDER PLATING : NICKEL 1.25 MICROMETER MINIMUM.
SHIELD CASE :
PURE TIN: 1-3 MICROMETER .
UNDER PLATING : NICKEL 1.0 MICROMETER MINIMUM.
- TAIL & NAIL COPLANARITY 0.1 mm MAXIMUM.
- PRODUCT SPECIFICATION REFER TO PS-67803-001.
- PACKAGING INFORMATION REFER TO PK-67503-001.



RECOMMENDED P.C.B. PATTERN LAYOUT

NEW RELEASE EC NO: SH2005-0155 DRAWN: XWANG 2005/01/04 CHKD: HARVEY 2005/01/05 APPR: YTYAP 2005/01/05	QUALITY SYMBOLS 	GENERAL TOLERANCES (UNLESS SPECIFIED)		DIMENSION STYLE	SCALE	DESIGN UNITS	THIRD ANGLE PROJECTION	
				MM ONLY	8:1	METRIC		
				DRAWN BY	DATE	TITLE		
				4 PLACES ± --- ± ---	XWANG 2004/11/12	USB SERIES MINI-B REC. REC. ASS'Y FOR SMT W/O BACKOVER&PEG(LEAD-FREE)		
		3 PLACES ± --- ± ---	CHECKED BY	DATE	MOLEX INCORPORATED			
		2 PLACES ± 0.25 ± ---	HARVEY 2004/11/12					
		1 PLACE ± 0.25 ± ---	APPROVED BY	DATE	DOCUMENT NO. SD-67503-011 SHEET NO. 1 OF 1			
		ANGULAR ± 3 °	YTYAP 2004/11/12					
		DRAFT WHERE APPLICABLE MUST REMAIN WITHIN DIMENSIONS	MATERIAL NO.	67503-1230				
		SIZE A3	THIS DRAWING CONTAINS INFORMATION THAT IS PROPRIETARY TO MOLEX INCORPORATED AND SHOULD NOT BE USED WITHOUT WRITTEN PERMISSION					