

PLEASE CHECK WWW.MOLEX.COM FOR LATEST PART INFORMATION

Part Number: [0190980019](#)
Status: **Active**
Description: Krimptite™ Snap Spade Tap for 18-22 AWG Wire, Stud Size 5-6, Mylar Tape Carrier

Documents:

[Drawing \(PDF\)](#) [RoHS Certificate of Compliance \(PDF\)](#)

Agency Certification

CSA LR18689
 UL E32244

General

Product Family Ring and Spade Terminals
 Series [19098](#)
 Crimp Quality Equipment Yes
 Mil-Spec N/A
 Product Name Krimptite™
 Type Spade Snap

Physical

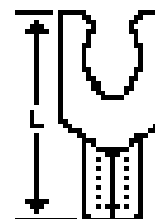
Barrel Type Closed
 Insulation None
 Material - Plating Mating Tin
 Packaging Type Adhesive Tape on Reel
 Stud Size 5-6 (M3-3.5)
 Wire Size AWG 18, 20, 22
 Wire Size mm² 0.35 - 0.80

Material Info

Old Part Number AA-1704-06T

Reference - Drawing Numbers

Sales Drawing AACD10502



Series
 image - Reference only

EU RoHS

**ELV and RoHS
 Compliant**

REACH SVHC

Contains SVHC: No

Halogen-Free

Status

Halogen-Free

China RoHS



**Need more information on product
 environmental compliance?**

Email productcompliance@molex.com
 For a multiple part number RoHS Certificate of
 Compliance, [click here](#)

Please visit the [Contact Us](#) section for any
 non-product compliance questions.

Search Parts in this Series

[19098Series](#)

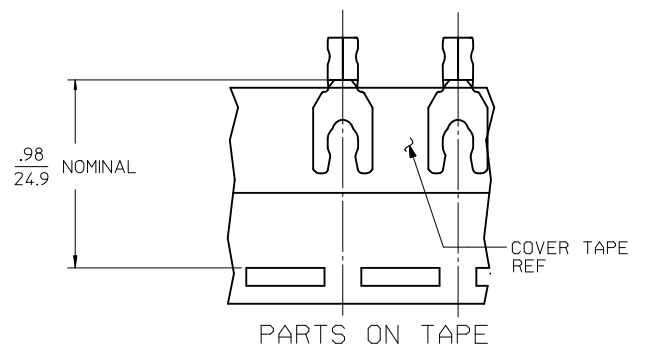
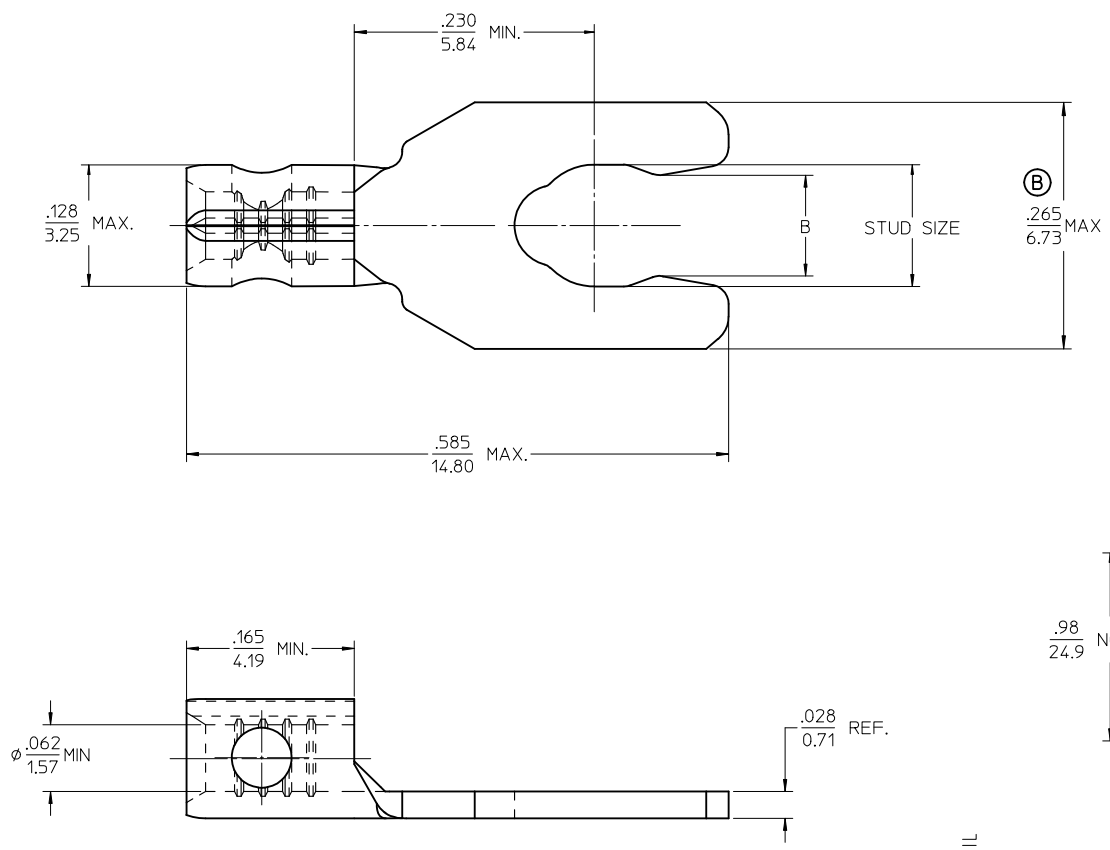
Application Tooling | [FAQ](#)

*Tooling specifications and manuals are
 found by selecting the products below.
 Crimp Height Specifications are then
 contained in the Application Tooling
 Specification document.*

Global

Description	Product #
ATP Tooling Kit for ATP-100 and ATP-300 Series Air Crimping Press for Mylar Tape Mounted Terminals	0190270034
Mini-Mac™ Applicator	0638853800

MATERIAL NO.	ENGINEERING NO.	STUD SIZE	STUD ± .005	DIMENSION B	DESCRIPTION
190980017	AA-1704-05	5	.127/3.23	.105/2.67	LOOSE PIECE
190980018	AA-1704-06	6	.146/3.71	.114/2.90	LOOSE PIECE
190980077	AA-1704-05T	5	.127/3.23	.105/2.67	TAPED REEL
190980019	AA-1704-06T	6	.146/3.71	.114/2.90	TAPED REEL



- NOTES:
1. MATERIAL: COPPER .028/0.71 THICK
 2. PLATING: ELECTRO-TIN
 3. PART IS RoHS COMPLIANT

WIDTH TOLERANCE EC NO: WNA2010-0646 DRWR:RSTONE 2007/07/03 CHKD:J.MACNEIL 2010/04/27 APPR:J.MACNEIL 2010/05/14	QUALITY SYMBOLS ▽=1 ▽=2	GENERAL TOLERANCES (UNLESS SPECIFIED)		DIMENSION STYLE IN/MM	SCALE 10:1	DESIGN UNITS INCH	THIRD ANGLE PROJECTION
		4 PLACES ± --- ± --- 3 PLACES ± --- ± .005 2 PLACES ± 0.13 ± .01 1 PLACE ± 0.25 ± --- ANGULAR ± 1/2°	mm INCH ± --- ± --- ± .005 ± 0.13 ± .01 ± 0.25 ± ---	DRAWN BY DATE JJ 1984/10/17	CHECKED BY DATE GZ 1984/10/18	TITLE SNAP SPADE TONGUE TERMINAL, 22-18 AWG	
DRAFT WHERE APPLICABLE MUST REMAIN WITHIN DIMENSIONS		MATERIAL NO. SEE CHART		APPROVED BY DATE --- ---		MOLEX INCORPORATED	
REV B		DESCRIPTION		DOCUMENT NO. SD-19098-007		SHEET NO. 1 OF 1	