

PLEASE CHECK WWW.MOLEX.COM FOR LATEST PART INFORMATION

Part Number: [0917912001](#)
Status: **Active**
Overview: [rast 5 connector system](#)
Description: 5.00mm (.197") Pitch Appli-Mate® RAST Power IDT Housing, 10 Amp, Indirect, Female, 4 Circuits, Fully Coded, Open End Walls, No Polarizing Rib, Glow Wire Compatible

Documents:

[3D Model](#) [Product Specification PS-91627-001 \(PDF\)](#)
[Drawing \(PDF\)](#) [RoHS Certificate of Compliance \(PDF\)](#)

General

Product Family IDT and Solder Connectors
 Series [91627](#)
 Crimp Quality Equipment Yes
 Overview [rast 5 connector system](#)
 Product Name RAST 5
 Use With RAST standard interface

Physical

Circuits (Loaded) 4
 Circuits (maximum) 4
 Color - Resin Natural (White)
 Durability (mating cycles max) 10
 Gender Female
 Glow-Wire Compliant Yes
 Lock to Mating Part Yes
 Material - Metal High Performance Alloy (HPA)
 Material - Plating Mating Tin
 Material - Plating Termination Silver
 Material - Resin Nylon
 Number of Rows 1
 Packaging Type Tray
 Panel Mount No
 Pitch - Mating Interface (in) 0.197 In
 Pitch - Mating Interface (mm) 5.00 mm
 Pitch - Term. Interface (in) 0.197 In
 Pitch - Term. Interface (mm) 5.00 mm
 Plating min: Mating (µin) 32
 Plating min: Mating (µm) 0.80
 Plating min: Termination (µin) 32
 Plating min: Termination (µm) 0.80
 Polarized to Mating Part No
 Stackable No
 Temperature Range - Operating -40°C to +120°C
 Termination Interface: Style IDT or Pierce
 Wire Size AWG 22, 24

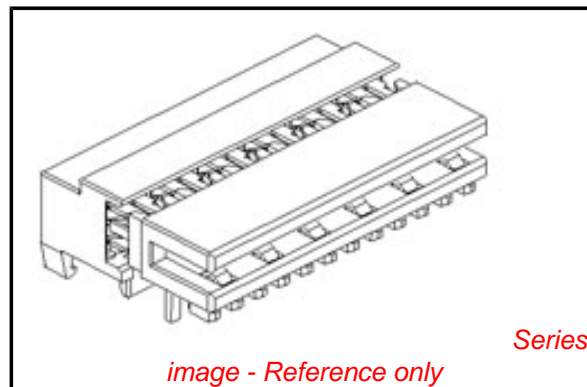
Electrical

Current - Maximum per Contact 10A
 Voltage - Maximum 250V AC

Material Info

Reference - Drawing Numbers

Application Specification AS-91627-001
 Packaging Specification PK-91627-001



EU RoHS

ELV and RoHS Compliant
REACH SVHC
 Not Reviewed
Halogen-Free Status
 Not Reviewed

China RoHS



Need more information on product environmental compliance?

Email productcompliance@molex.com
 For a multiple part number RoHS Certificate of Compliance, [click here](#)

Please visit the [Contact Us](#) section for any non-product compliance questions.

Search Parts in this Series

[91627Series](#)

Mates With

[90860 Appli-Mate® Vertical Header](#). [90861 Appli-Mate® Right Angle Header](#)

Application Tooling | FAQ

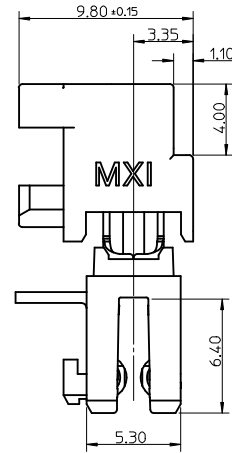
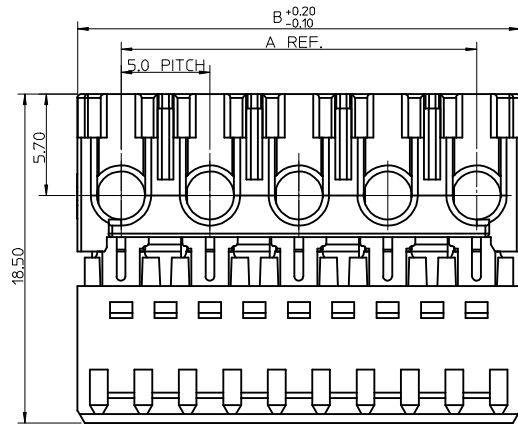
Tooling specifications and manuals are found by selecting the products below. Crimp Height Specifications are then contained in the Application Tooling Specification document.

Global

| Description | Product # |
|---|----------------------------|
| Appli-Mate Rast 2.5 Power Manual Terminator | 0622030000 |
| RAST 2.5 Semi-Automatic Terminator Machine For Appli-Mate™ Connectors | 0623006000 |

This document was generated on 05/27/2010

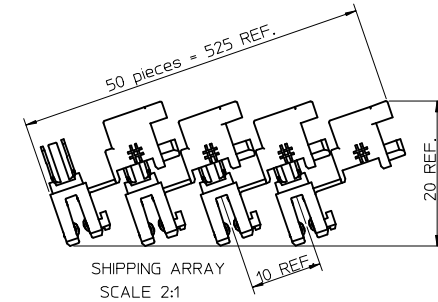
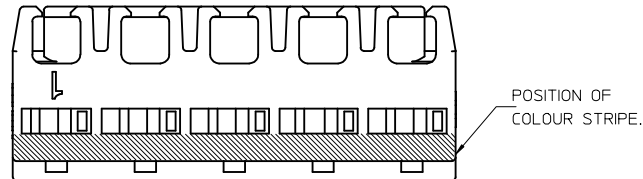
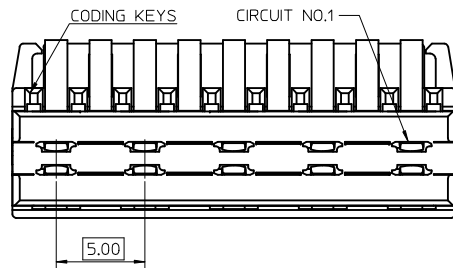
PLEASE CHECK WWW.MOLEX.COM FOR LATEST PART INFORMATION



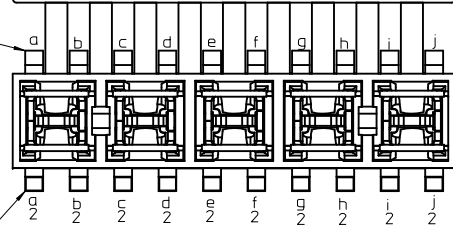
| CKT | DIM A | DIM B |
|-----|-------|-------|
| 2 | 5 | 9.9 |
| 3 | 10 | 14.9 |
| 4 | 15 | 19.9 |
| 5 | 20 | 24.9 |
| 6 | 25 | 29.9 |
| 7 | 30 | 34.9 |
| 8 | 35 | 39.9 |
| 9 | 40 | 44.9 |
| 10 | 45 | 49.9 |
| 11 | 50 | 54.9 |
| 12 | 55 | 59.9 |

NOTES:

- MATERIAL: HOUSING: PA 6
TERMINAL: COPPER ALLOY
PLATING: SILVER (10A)
- PRODUCT SPECIFICATION: PS-91627-001
- SEE SUBSEQUENT SHEETS FOR PART NUMBERING INFORMATION
- THIS CONNECTOR MATES WITH HEADER ONLY. SEE PRODUCT SPECIFICATION PS-91627-001 FOR APPROVED HEADERS
- CABLE:
 - RECOMMENDED CABLE CROSS SECTIONAL AREA = 0.50mm.sq TO 0.75mm.sq
 - MAX CABLE INSULATION DIAMETER = 2.5mm
- PACKAGING SPECIFICATION: PK-91627-001
- APPLICATION SPECIFICATION: AS-91627-001



STANDARD ROW CODING KEYS



OPTIONAL 2nd ROW CODING KEYS

| REV | DESCRIPTION | QUALITY SYMBOLS | GENERAL TOLERANCES (UNLESS SPECIFIED) | | DIMENSION STYLE | | SCALE | DESIGN UNITS | THIRD ANGLE PROJECTION |
|----------------|-------------------|-----------------|--|--------|-----------------|-------------|------------|-----------------------------------|------------------------|
| | | | m/m | INCH | MM ONLY | TITLE | | | |
| REVIEWED | EC NO: E2010-0095 | ▽=0 | 4 PLACES | ± --- | ± --- | DRAWN BY | DATE | 10A RAST PWR IDT CONN 5MM PTCH | MATERIAL NO. |
| DRWN: TIOURISH | 2009/09/04 | ▽=0 | 3 PLACES | ± 0.10 | ± --- | LK IERNAN | 07/05/2003 | | |
| CHKD: BRUTLE | 2009/09/04 | | 2 PLACES | ± 0.10 | ± --- | CHECKED BY | DATE | SD-91791-001 | SHEET NO. |
| APPR: BMAGUIRE | 2009/09/07 | | 1 PLACE | ± 0.2 | ± --- | BMAGUIRE | 25/07/2003 | | |
| | | | ANGULAR ± 2 ° | | | APPROVED BY | DATE | | |
| | | | DRAFT WHERE APPLICABLE MUST REMAIN WITHIN DIMENSIONS | | | BMAGUIRE | 25/07/03 | | |
| | | | SEE CHARTS | | | | | | |

2 CIRCUIT

| MOLEX PART NO. | TERMINAL VOID POSITION | REMOVED CODING KEYS | CONFIGURATION | COLOUR STRIPE |
|----------------|------------------------|---------------------|---------------|---------------|
| 91791-0001 | NONE | NONE | | NONE |

7 CIRCUIT

| MOLEX PART NO. | TERMINAL VOID POSITION | REMOVED CODING KEYS | CONFIGURATION | COLOUR STRIPE |
|----------------|------------------------|---------------------|---------------|---------------|
| 91791-5001 | NONE | NONE | | NONE |

3 CIRCUIT

| MOLEX PART NO. | TERMINAL VOID POSITION | REMOVED CODING KEYS | CONFIGURATION | LATCH BETWEEN | POLARIZING RIB BETWEEN | COLOUR STRIPE |
|----------------|------------------------|--------------------------|---------------|---------------|------------------------|---------------|
| 91791-1001 | NONE | NONE | | NONE | NONE | NONE |
| 91791-1002 | NONE | a b c | | NONE | CCT 1&2 | RED |
| 91791-1004 | NONE | NONE | | NONE | CCT 1&2 | RED |
| 91791-1504 | NONE | a b c | | CCT 1&2 | CCT 2&3 | RED |
| 91791-1003 | NONE | b c d e f b2 c2 d2 e2 | | NONE | NONE | NONE |

8 CIRCUIT

| MOLEX PART NO. | TERMINAL VOID POSITION | REMOVED CODING KEYS | CONFIGURATION | COLOUR STRIPE |
|----------------|------------------------|---------------------|---------------|---------------|
| 91791-6001 | NONE | NONE | | NONE |

4 CIRCUIT

| MOLEX PART NO. | TERMINAL VOID POSITION | REMOVED CODING KEYS | CONFIGURATION | LATCH BETWEEN | POLARIZING RIB BETWEEN | COLOUR STRIPE |
|----------------|------------------------|---------------------|---------------|---------------|------------------------|---------------|
| 91791-2001 | NONE | NONE | | NONE | NONE | NONE |
| 91791-2004 | NONE | b d e f g h | | NONE | CCT 2&3 | RED |

9 CIRCUIT

| MOLEX PART NO. | TERMINAL VOID POSITION | REMOVED CODING KEYS | CONFIGURATION | COLOUR STRIPE |
|----------------|------------------------|---------------------|---------------|---------------|
| 91791-7001 | NONE | NONE | | NONE |

5 CIRCUIT

| MOLEX PART NO. | TERMINAL VOID POSITION | REMOVED CODING KEYS | CONFIGURATION | COLOUR STRIPE |
|----------------|------------------------|---------------------|---------------|---------------|
| 91791-3001 | NONE | NONE | | NONE |

10 CIRCUIT

| MOLEX PART NO. | TERMINAL VOID POSITION | REMOVED CODING KEYS | CONFIGURATION | COLOUR STRIPE |
|----------------|------------------------|---------------------|---------------|---------------|
| 91791-8001 | NONE | NONE | | NONE |

6 CIRCUIT

| MOLEX PART NO. | TERMINAL VOID POSITION | REMOVED CODING KEYS | CONFIGURATION | COLOUR STRIPE |
|----------------|------------------------|--|---------------|---------------|
| 91791-4001 | NONE | NONE | | NONE |
| 91791-4002 | NONE | a b c d e f i j k l + b2 c2 d2 e2 f2 g2 h2 i2 j2 k2 | | NONE |

11 CIRCUIT

| MOLEX PART NO. | TERMINAL VOID POSITION | REMOVED CODING KEYS | CONFIGURATION | COLOUR STRIPE |
|----------------|------------------------|---------------------|---------------|---------------|
| 91791-9001 | NONE | NONE | | NONE |

12 CIRCUIT

| MOLEX PART NO. | TERMINAL VOID POSITION | REMOVED CODING KEYS | CONFIGURATION | COLOUR STRIPE |
|----------------|------------------------|---------------------|---------------|---------------|
| 91791-9501 | NONE | NONE | | NONE |

NOTES:
 1. FIRST CKT SIDE IS THE SIDE CLOSEST TO CKT 1
 2. LAST CKT SIDE IS THE SIDE CLOSEST TO THE HIGHEST CKT SIZE
 ● - DENOTES TERMINAL POSITION LOADED
 + - DENOTES TERMINAL POSITION VOIDED
 | - DENOTES POSITION OF POLARISING RIB
 ▭ - DENOTES POSITION OF LOCKING LATCH

| | | | | | | | | |
|--|---------------------|--|------------------------------|-----------------------------------|---|--------------|------------------------|------------------------|
| SEE SHEET 1 ELEC NO: E2010-0095 DRAWN: TOUR SH CHKD: BRUTLE APPR: BMAGUIRE 2009/09/04 2009/09/07 | QUALITY SYMBOLS | GENERAL TOLERANCES (UNLESS SPECIFIED) mm INCH | | DIMENSION STYLE MM ONLY | | SCALE 1:1 | DESIGN UNITS METRIC | THIRD ANGLE PROJECTION |
| | | 4 PLACES ± --- ± --- 3 PLACES ± 0.10 ± --- 2 PLACES ± 0.10 ± --- 1 PLACE ± 0.2 ± --- ANGULAR ± 2 ° | DRAWN BY LKIERNAN | DATE 07/05/2003 | TITLE 10A RAST PWR IDT CONN 5MM PTCH | | | |
| | | DRAFT WHERE APPLICABLE MUST REMAIN WITHIN DIMENSIONS | CHECKED BY BMAGUIRE | DATE 25/07/2003 | APPROVED BY BMAGUIRE | | | |
| | | SEE CHARTS SIZE 1 | MATERIAL NO. SD-91791-001 | | DOCUMENT NO. | | SHEET NO. 2 OF 2 | |

THIS DRAWING CONTAINS INFORMATION THAT IS PROPRIETARY TO MOLEX INCORPORATED AND SHOULD NOT BE USED WITHOUT WRITTEN PERMISSION