

**PLEASE CHECK WWW.MOLEX.COM FOR LATEST PART INFORMATION**

**Part Number:** [5017848009](#)  
**Status:** **Active**  
**Description:** 0.50mm (.020") Pitch FFC-to-Board Connector, Plug Jacket Cover, 80 Circuits

**Documents:**

<a href="#">Drawing (PDF)</a>	<a href="#">Product Specification PS-501864-001 (PDF)</a>
<a href="#">Product Specification PS-501786-001 (PDF)</a>	<a href="#">RoHS Certificate of Compliance (PDF)</a>

**General**

Product Family	Accessories
Series	501784
Component Type	Jacket Cover
Product Name	N/A

**Physical**

Breakaway	No
Circuits (Loaded)	N/A
Circuits (maximum)	80
Color - Resin	Black
Gender	Plug
Material - Resin	Polyester
Packaging Type	Bag
Polarized to Mating Part	Yes
Temperature Range - Operating	-40°C to +85°C

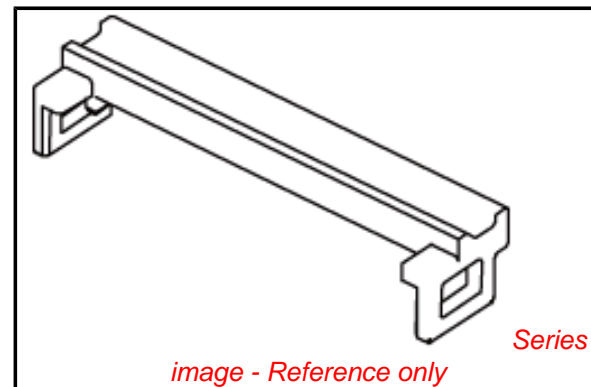
**Electrical**

Current - Maximum per Contact	0.5A
-------------------------------	------

**Material Info**

**Reference - Drawing Numbers**

Packaging Specification	SPK-501784-001
Product Specification	PS-501786-001, PS-501864-001, RPS-501786-006, RPS-501864-006
Sales Drawing	SD-501784-001



**EU RoHS**

**ELV and RoHS  
Compliant**  
**REACH SVHC  
Contains SVHC: No**  
**Halogen-Free  
Status  
Not Reviewed**

**China RoHS**



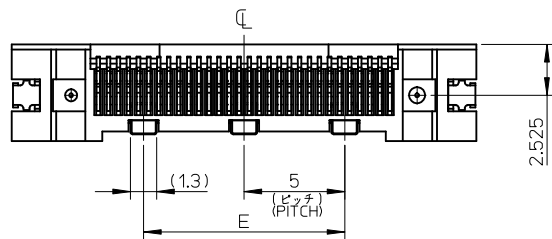
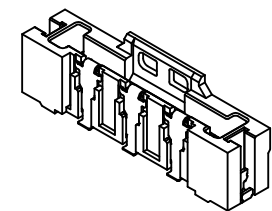
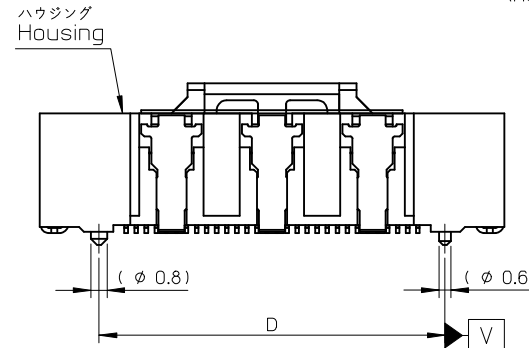
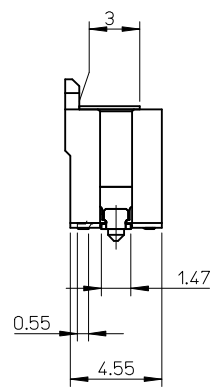
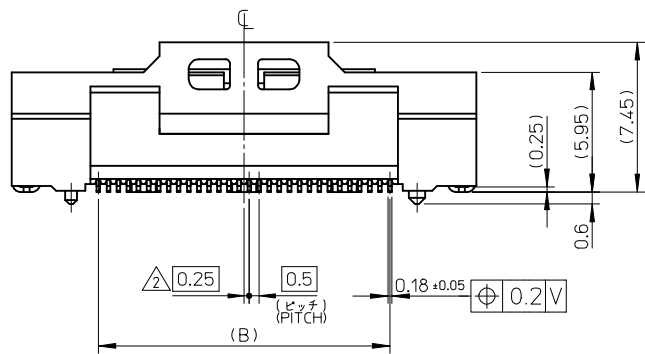
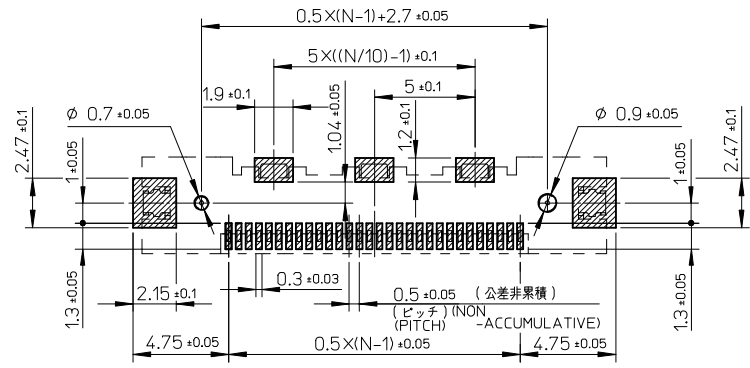
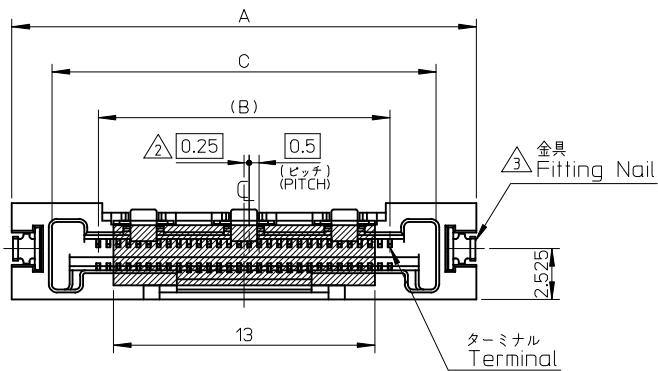
**Need more information on product  
environmental compliance?**

Email [productcompliance@molex.com](mailto:productcompliance@molex.com)  
 For a multiple part number RoHS Certificate of  
 Compliance, [click here](#)

Please visit the [Contact Us](#) section for any  
 non-product compliance questions.

**Search Parts in this Series**  
[501784Series](#)

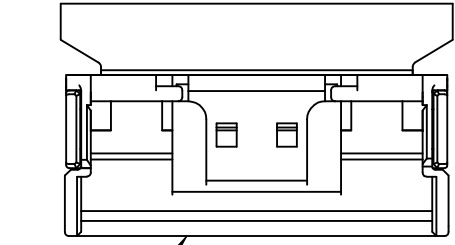
**Use With**  
[501786](#) FFC-to-Board Connector, [501864](#)  
 FFC-to-Board Connector, [501783](#) Plug  
 Jacket



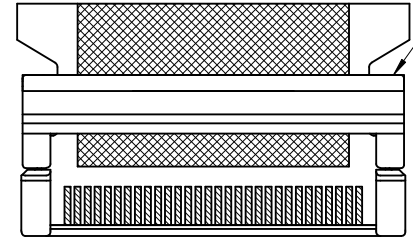
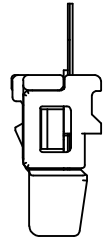
3	10	17.2	19.1	14.5	23.1	501786-3091	30
QTY of Ground Term	E	D	C	B	A	EMBOSSED TAPE PKG.	極数 CIRCUIT
						ORDER No. オーダー番号	

CONNECTOR SERIES No. 501786-\*\*\*31

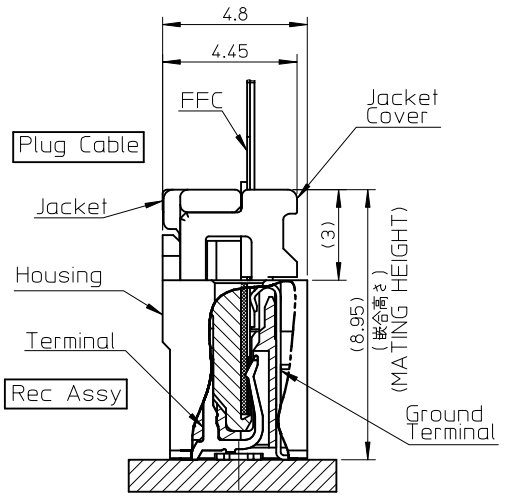
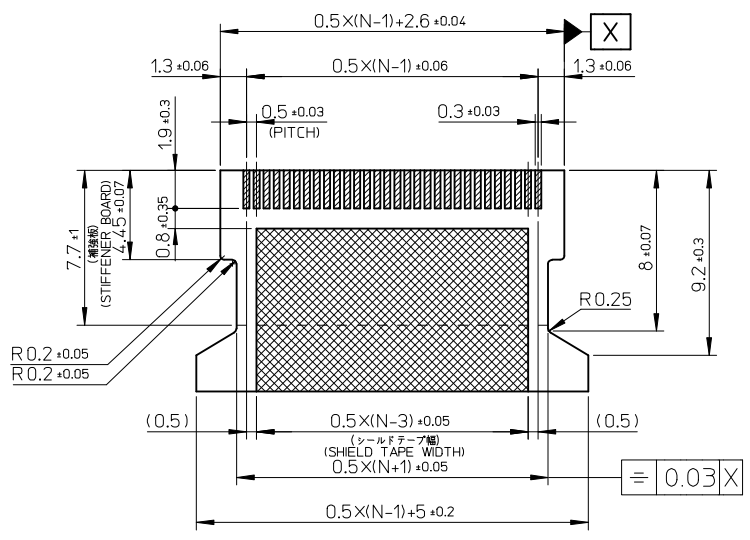
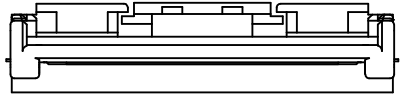
REVISED EC NO: J2010-0779 DRWN: NIISHI 2009/10/19 CHKD: MATSUURA 2009/10/19 APPR: MORIKAWA 2009/10/19	GENERAL TOLERANCES (UNLESS SPECIFIED)		DIMENSION STYLE MM ONLY		SCALE ---	DESIGN UNITS METRIC	THIRD ANGLE PROJECTION
	10 UNDER	±0.2	DRAWN BY H. IJIMA	DATE 07/12/25	TITLE 0.5 FFC TO BOARD CONN REC HSG ASSY(ST)		
	10 OVER 30 UNDER	±0.25	CHECKED BY K. MORIKAWA	DATE 07/12/25	MOLEX INCORPORATED		
	30 OVER	±0.3	APPROVED BY H. HIRATA	DATE 07/12/25	DOCUMENT NO. SD-501786-008		
	ANGULAR ±1 °		MATERIAL NO. SEE CHART		SHEET NO. 1 OF 2		
DRAFT WHERE APPLICABLE MUST REMAIN WITHIN DIMENSIONS		SIZE A3	THIS DRAWING CONTAINS INFORMATION THAT IS PROPRIETARY TO MOLEX INCORPORATED AND SHOULD NOT BE USED WITHOUT WRITTEN PERMISSION				



④ ジャケット JACKET



⑤ ジャケットカバー JACKET COVER



嵌合断面図 MATED CONNECTOR SECTION

注記 NOTE

1. 使用材料 MATERIAL
  - ハウジング HOUSING : 液晶ポリマー (LCP), ガラス充填, UL 94V-0 色: 黒色
  - ターミナル TERMINAL : 燐青銅 (t=0.18)
  - メッキ PLATING : PHOSPHOR BRONZE (t=0.18)
  - CONTACT AREA : ニッケル下地 (1.0 μm 以上) 金メッキ (0.1 μm 以上) OVER NICKEL PLATING (1.0 μm MINIMUM) GOLD PLATING (0.1 μm MINIMUM)
  - ソルダーテール SOLDER TAIL : ニッケル下地 金メッキ
  - TAIL AREA : OVER NICKEL PLATING GOLD PLATING
  - 金具 FITTING NAIL : 燐青銅 (t=0.25)
  - グラウンド端子 GROUND TERMINAL : ニッケル下地 錫メッキ (1.0 μm 以上) PHOSPHOR BRONZE (t=0.15) TIN OVER NICKEL PLATING (1.0 μm MINIMUM)

- N=偶数に適用 (N:極数) APPLY FOR N-EVEN (CIRCUIT)
- ③ パターン剥離止め用金具 FITTING NAIL FOR PREVENTION OF PEELING OF P.C.B PATTERN.
  - ④ 適合ジャケット : 501783-\*\*09 製品詳細寸法はSD-501783-004を参照下さい。 RE DETAILED DIMENTION, SEE SD-501783-004.
  - ⑤ 適合ジャケットカバー : 501784-\*\*08. 製品詳細寸法はSD-501784-005を参照下さい。 APPLICABLE JACKET COVER : 501784-\*\*08. RE DETAILED DIMENTION SEE SD-501784-005
6. ELV及びRoHS適合品 ELV AND RoHS COMPLIANT
  7. FFCについて ABOUT FFC  
 打ち抜き方向は導体側から補強板側を推奨します。 導体部については軟烙銅35 μmまたは50 μmを推奨します。

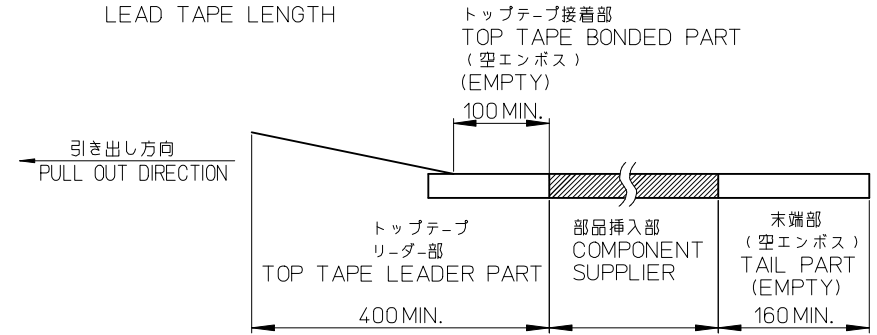
コネクタ接点部 CONTACT AREA  
 シールド部 SHIELD AREA

適合する金めっきFFC推奨寸法  
 APPLICABLE FFC OF GOLD PLATING RECOMMENDED DIMENSION  
 (仕上がり厚さ: コネクタ接点部  $0.3 \pm 0.03$  シールド部  $0.44 \pm 0.05$ )  
 (THICKNESS : CONTACT AREA  $0.3 \pm 0.03$  SHIELD AREA  $0.44 \pm 0.05$ )

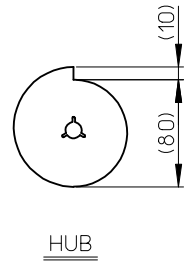
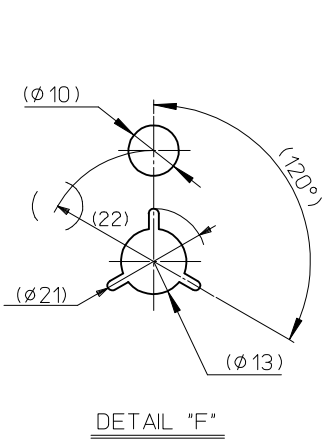
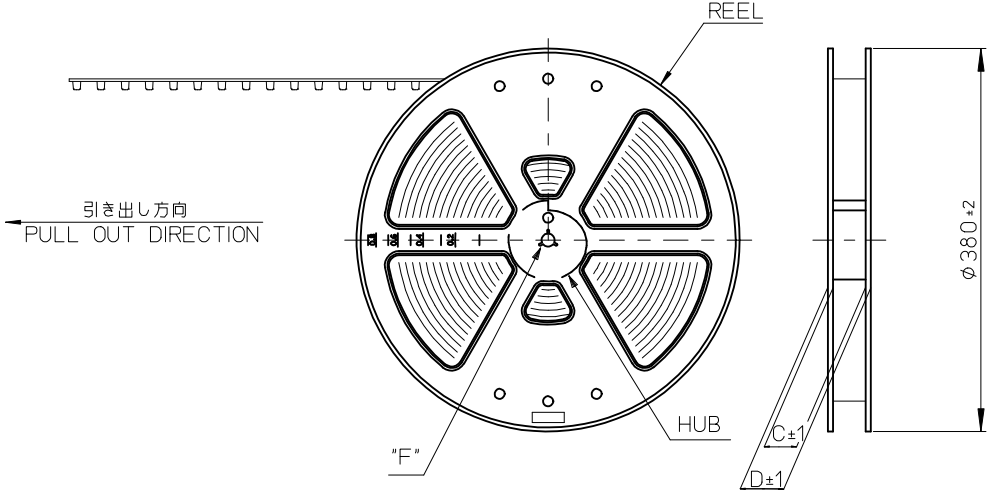
REVISED EC NO: J2010-0779 DRW: NINISHI 2009/10/19 CHK: DWATSUURA 2009/10/19 APPR: KYORIKAWA 2009/10/19	GENERAL TOLERANCES (UNLESS SPECIFIED)		DIMENSION STYLE MM ONLY		SCALE 1:1	DESIGN UNITS METRIC	THIRD ANGLE PROJECTION
	10 UNDER	± 0.2	DRAWN BY H. IJIMA	DATE 07/12/25	TITLE 0.5 FFC TO BOARD CONN REC HSG ASSY(ST)		
	10 OVER 30 UNDER	± 0.25	CHECKED BY K. MORIKAWA	DATE 07/12/25	MOLEX INCORPORATED		
	30 OVER	± 0.3	APPROVED BY H. HIRATA	DATE 07/12/25	DOCUMENT NO. SD-501786-008	SHEET NO. 2 OF 2	
REV	DESCRIPTION	ANGULAR ±1 °	MATERIAL NO. SEE SHEET 1		THIS DRAWING CONTAINS INFORMATION THAT IS PROPRIETARY TO MOLEX INCORPORATED AND SHOULD NOT BE USED WITHOUT WRITTEN PERMISSION		
DRAFT WHERE APPLICABLE MUST REMAIN WITHIN DIMENSIONS							

NOTES

1. 梱包数量：900 個/リール  
NUMBER OF CONNECTORS:900 PCS/REEL
2. リードテープ長さ  
LEAD TAPE LENGTH



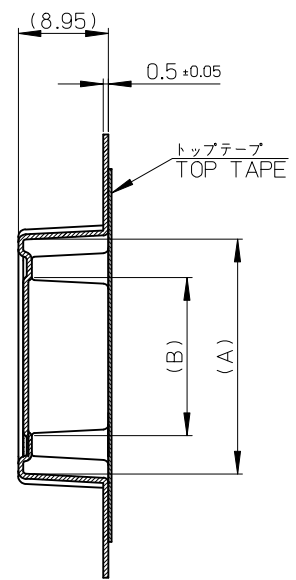
3. 製品詳細寸法については図面 SD-501786-008を参照下さい。  
RE DETAILED DIMENSION, SEE SD-501786-008.
4. 材料(MATERIAL)  
キャリアテープ(CARRIER TAPE) : ポリスチレン(POLYSTYRENE)  
トップテープ(TOP TAPE) : PET, PE, PE  
リール(REEL) : ポリスチレン(POLYSTYRENE)<リサイクル材を含む>  
<RECYCLE MATERIAL CONTAINED>
5. ELV及びRoHS適合品  
ELV AND RoHS COMPLIANT



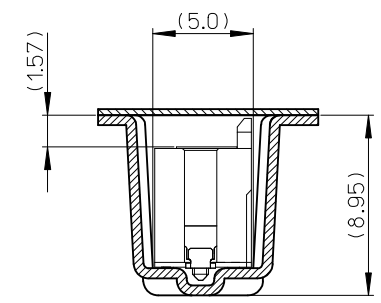
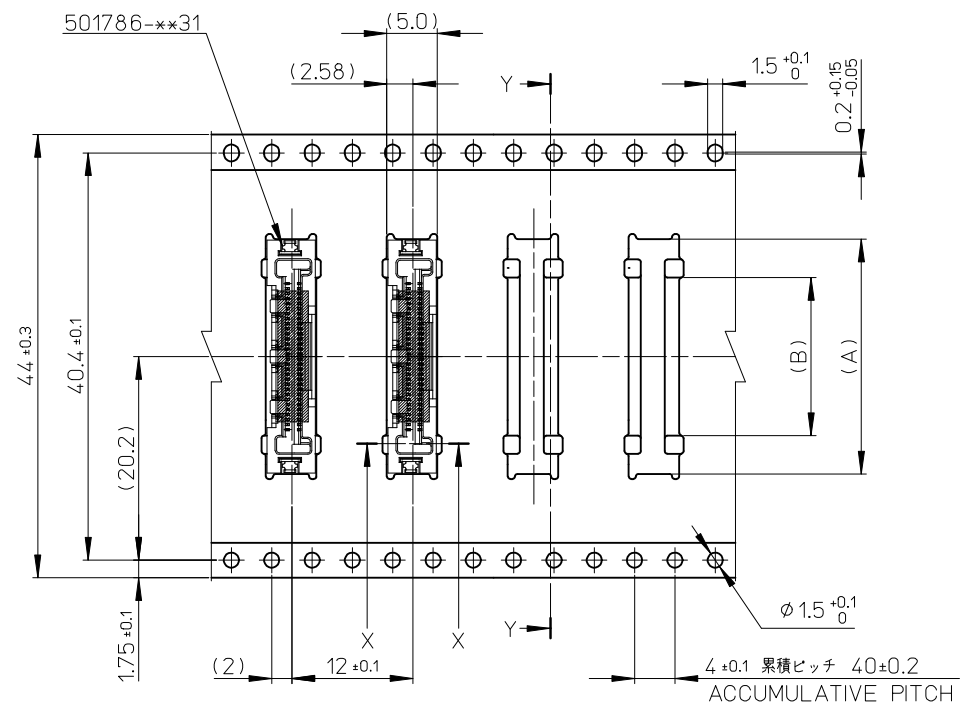
501786-\*\*91 MODEL NO.

REVISED EC NO: J2009-1986 DRWN:YSHIBATA 2009/02/26 CHKD:THARUYAMA 2009/02/26 APPR:NUKITA 2009/02/26 REV A	GENERAL TOLERANCES (UNLESS SPECIFIED)		DIMENSION STYLE MM ONLY		SCALE	DESIGN UNITS METRIC	THIRD ANGLE PROJECTION
	10 UNDER	±0.2	DRAWN BY H. IJIMA	DATE 07/12/25	TITLE EMBSTP PKG FOR 0.5 FFC TO BOARD ST TYPE		
	10 OVER 30 UNDER	±0.25	CHECKED BY K. MORIKAWA	DATE 07/12/25	MOLEX INCORPORATED		
	30 OVER	±0.3	APPROVED BY H. HIRATA	DATE 07/12/25	DOCUMENT NO. SD-501786-009		
	ANGULAR ±3°		MATERIAL NO. 501786-**91		SHEET NO. 1 OF 2		
DRAFT WHERE APPLICABLE MUST REMAIN WITHIN DIMENSIONS		THIS DRAWING CONTAINS INFORMATION THAT IS PROPRIETARY TO MOLEX INCORPORATED AND SHOULD NOT BE USED WITHOUT WRITTEN PERMISSION					

引き出し方向  
PULL OUT DIRECTION



SECT. Y-Y



SECT. X-X

44mm幅キャリアテープ  
44mm WIDTH CARRIER TAPE

56	61.4	57.4	25.68	33.3	501786-5091	50
44	49.4	45.4	15.68	23.3	501786-3091	30
キャリアテープ幅 CARRIER TAPE WIDTH	D	C	B	A	製品番号 MATERIAL NO.	極数 CKT

REVISED EC NO: J2009-1986 DRWN: YSHIBATA 2009/02/26 CHKD: THARUYAMA 2009/02/26 APPR: NUKITA 2009/02/26 A	DESCRIPTION GENERAL TOLERANCES (UNLESS SPECIFIED) 10 UNDER ± 0.2 10 OVER 30 UNDER ± 0.25 30 OVER ± 0.3 ANGULAR ± 3 ° DRAFT WHERE APPLICABLE MUST REMAIN WITHIN DIMENSIONS	DIMENSION STYLE MM ONLY	SCALE ---	DESIGN UNITS METRIC	THIRD ANGLE PROJECTION		
		DRAWN BY H. IJIMA	DATE 07/12/25	TITLE EMBSTP PKG FOR 0.5 FFC TO BOARD ST TYPE			
		CHECKED BY K. MORIKAWA	DATE 07/12/25	MOLEX INCORPORATED			
		APPROVED BY H. HIRATA	DATE 07/12/25	MATERIAL NO. 501786-**91	DOCUMENT NO. SD-501786-009	SHEET NO. 2 OF 2	