

PLEASE CHECK WWW.MOLEX.COM FOR LATEST PART INFORMATION

Part Number: [0940303890](#)
Status: **Active**
Description: Quick Disconnect, Female, for 0.50-1.00mm² (18-20 AWG) wire, Accepts 6.35mm (.250") x 0.81mm (.032") Tab

Documents:

[Drawing \(PDF\)](#) [Product Specification PS-94030-002 \(PDF\)](#)
[Product Specification PS-94030-001 \(PDF\)](#) [RoHS Certificate of Compliance \(PDF\)](#)

General

Product Family	Quick Disconnects
Series	94030
Crimp Quality Equipment	Yes
Product Name	N/A
Type	Quick Disconnect

Physical

Barrel Type	Open
Gender	Female
Glow-Wire Compliant	No
Insulation	None
Lock to Mating Part	None
Material - Metal	Brass
Material - Plating Mating	Unplated
Orientation	Straight
Packaging Type	Reel
Polarized to Mating Part	Yes
Tab Thickness	0.81mm (.032")
Tab Width	6.35mm (.250")
Temperature Range - Operating	80°C
Wire Insulation Diameter	2.00-3.30mm (.079"-.130")
Wire Size AWG	18, 20
Wire Size mm ²	0.50-1.00

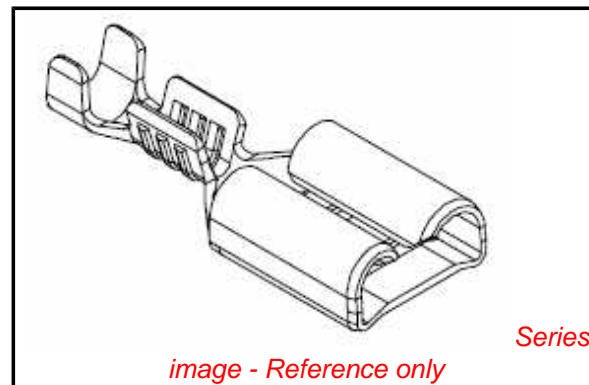
Electrical

Voltage - Maximum	250V
-------------------	------

Material Info

Reference - Drawing Numbers

Product Specification	PS-94030-001, PS-94030-002
Sales Drawing	94030-389X-SD



EU RoHS

ELV and RoHS Compliant
REACH SVHC
 Not Reviewed
Halogen-Free Status
 Not Reviewed

China RoHS



Need more information on product environmental compliance?

Email productcompliance@molex.com
 For a multiple part number RoHS Certificate of Compliance, [click here](#)

Please visit the [Contact Us](#) section for any non-product compliance questions.

Search Parts in this Series

94030Series

Use With

94090-4080 , 94090-4100 , 94090-4120 ,
 94090-4140 , 94090-4150 , 94090-4170 ,
 94090-4180 , 94090-4200 , [94503-0200](#) ,
 94503-0210 , [94503-0800](#)

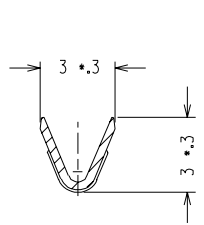
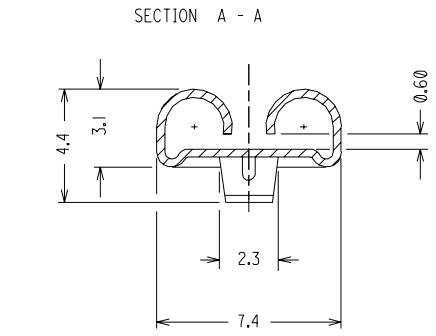
Application Tooling | FAQ

Tooling specifications and manuals are found by selecting the products below. Crimp Height Specifications are then contained in the Application Tooling Specification document.

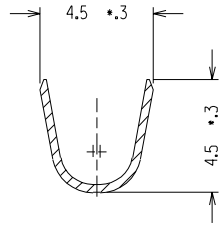
Global

Description	Product #
Hand Crimp Tool for Quick Disconnect Female Terminals	0638199800

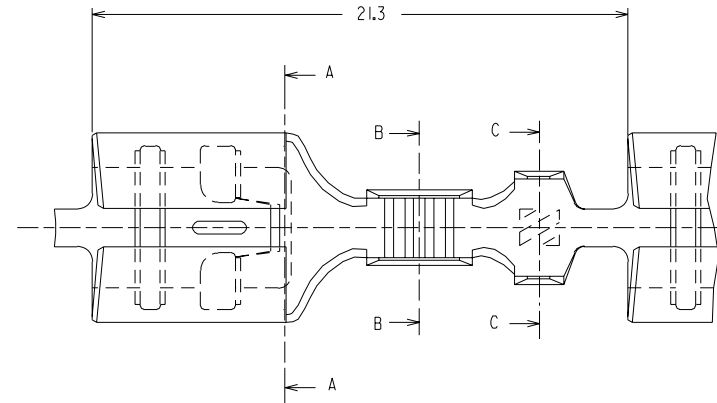
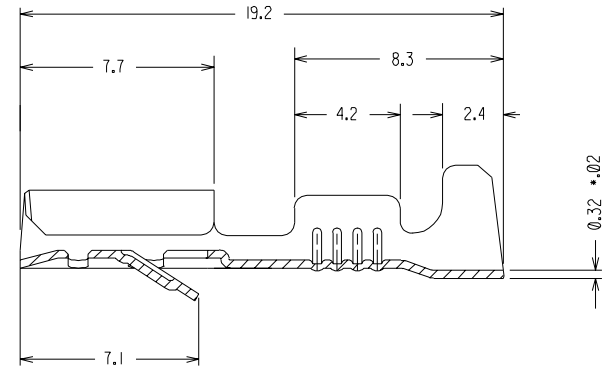
PLEASE CHECK WWW.MOLEX.COM FOR LATEST PART INFORMATION



SECTION B - B



SECTION C - C



CODICE P/N	MATERIALE MATERIAL	FINITURA PLATING
94030-3890	OTTONE BRASS	GREGGIO/ PLAIN
94030-3891		STAGNATO/ TIN
94030-3892	BRONZO FOSF. PHOSPH. BRONZE	GREGGIO/ PLAIN
94030-3893		STAGNATO/ TIN

REVISIONS		REVISIONS		REVISIONS		REVISIONS		REVISIONS		REVISIONS		REVISIONS		REVISIONS	
EMESSO ECN Z9-0034 G.F.		DIMENSIONS SHOWN (METRIC) INCH		DRWG BY		CAD/CAM FILENAME		REVISE ONLY ON CAD SYSTEM		SH.		REV.			
		UNLESS OTHERWISE SPECIFIED TOLERANCES ANGULAR ± 2°		Gottardo		CAD FILE Z303890S		THIS DRAWING CONTAINS INFORMATION THAT IS PROPRIETARY TO MOLEX INC AND SHOULD NOT BE USED WITHOUT WRITTEN PERMISSION							
		INCH (METRIC)		CHK'D BY		TITLE		QIK KONNECT RECEPTACLE FOR 6.3 x 0.8 TABS							
		3 PLACE ±				APP'D BY		SEZ. RAME/ WIRE RANGE: 0.5-1.0 mm ² — ISOLANTE/INS. RANGE: Ø 2.0-3.3 mm							
		2 PLACE ±		± 0.1		Previato		MOLEX INCORPORATED		SHEET NO. DATE		1 / 1		26-10-89	
		1 PLACE ±		± 0.2		SCALE		PART NO. VEDI TABELLA SEE CHART		DWG NO.		94030-389X SD		SIZE B	
						5 : 1									
		DESIGN DIMENSION (PRIMARY)		<input checked="" type="checkbox"/> (MM) <input type="checkbox"/> (IN)											
		EQUIVALENT DIMENSION (SECONDARY)		<input type="checkbox"/> (MM) <input type="checkbox"/> (IN)											