

**PLEASE CHECK WWW.MOLEX.COM FOR LATEST PART INFORMATION**

**Part Number:** [0757840119](#)  
**Status:** **Active**  
**Overview:** ipass  
**Description:** 0.80mm (.031") Pitch, iPass™ I/O SMT Receptacle, Vertical, Internal Application, 36 Circuit, 0.76µm (30µ") Gold (Au), Retention Shell, Left Key

**Documents:**

[Drawing \(PDF\)](#) [RoHS Certificate of Compliance \(PDF\)](#)

**Agency Certification**

CSA LR19980  
 UL E29179

**General**

Product Family I/O Connectors  
 Series [75784](#)  
 Application Wire-to-Board  
 Comments Positive or passive latching cable available  
 Component Type Receptacle  
 Overview [ipass](#)  
 Product Name iPass™, PCI Express\*, SAS, Serial ATA  
 Type N/A

**Physical**

Boot Color N/A  
 Circuits (Loaded) 36  
 Circuits (maximum) 36  
 Color - Resin Black  
 Durability (mating cycles max) 250  
 Flammability 94V-0  
 Gender Female  
 Keying to Mating Part Yes  
 Lock to Mating Part None  
 Material - Metal Copper-Nickel-Zinc, High Performance Alloy (HPA)  
 Material - Plating Mating Gold  
 Material - Plating Termination Tin  
 Material - Resin High Temperature Thermoplastic  
 Number of Rows 2  
 Orientation Vertical  
 PCB Locator Yes  
 PCB Retention Yes  
 Packaging Type Embossed Tape on Reel  
 Panel Mount No  
 Pitch - Mating Interface (in) 0.031 In  
 Pitch - Mating Interface (mm) 0.80 mm  
 Pitch - Term. Interface (in) 0.031 In  
 Pitch - Term. Interface (mm) 0.80 mm  
 Plating min: Mating (µin) 30.4  
 Plating min: Mating (µm) 0.76  
 Plating min: Termination (µin) 101.6  
 Plating min: Termination (µm) 2.54  
 Polarized to Mating Part Yes  
 Polarized to PCB Yes  
 Ports 1  
 Surface Mount Compatible (SMC) Yes  
 Temperature Range - Operating -40°C to +80°C



**EU RoHS**

**ELV and RoHS Compliant**  
**REACH SVHC**  
**Contains SVHC: No**  
**Halogen-Free Status**

**China RoHS**



**Need more information on product environmental compliance?**

Email [productcompliance@molex.com](mailto:productcompliance@molex.com)  
 For a multiple part number RoHS Certificate of Compliance, [click here](#)

Please visit the [Contact Us](#) section for any non-product compliance questions.

**Search Parts in this Series**

[75784Series](#)

**Mates With**

iPass™ Cable Assemblies, [79575](#) , [79576](#) , [74562](#) , [74563](#) , [79536](#)

Termination Interface: Style  
Waterproof / Dustproof

Surface Mount, Through Hole - Kinked Pin  
No

### **Electrical**

Current - Maximum per Contact  
Grounding to Panel  
Shield Type  
Shielded  
Voltage - Maximum

0.5A  
None  
Full Shield  
Yes  
30V AC (RMS)/DC

### **Solder Process Data**

Lead-free Process Capability  
Process Temperature max. C

Reflow Capable (SMT only)  
260

### **Material Info**

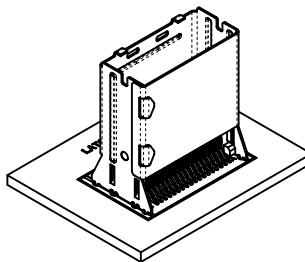
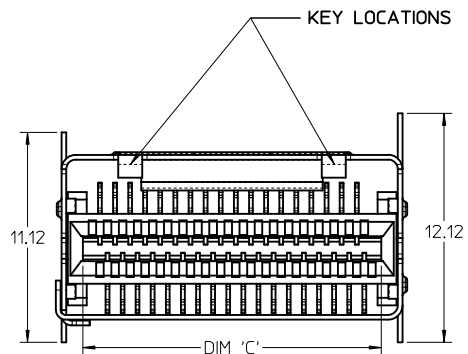
### **Reference - Drawing Numbers**

Application Specification  
Packaging Specification  
Sales Drawing

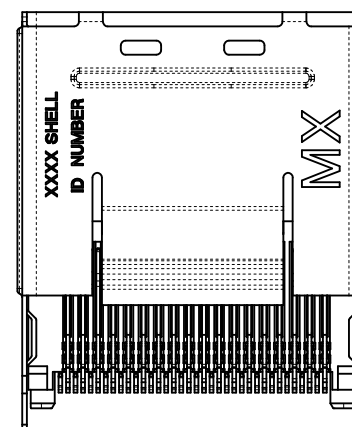
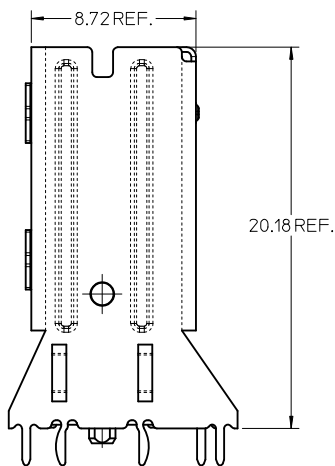
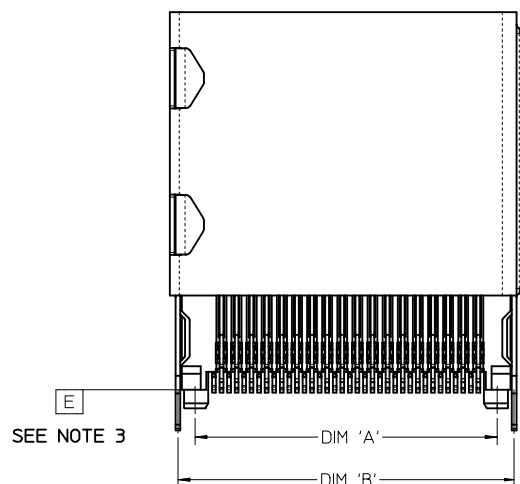
AS-75783-001  
PK-75783-001  
SD-75784-001

This document was generated on 05/28/2010

**PLEASE CHECK [WWW.MOLEX.COM](http://WWW.MOLEX.COM) FOR LATEST PART INFORMATION**



- NOTES:
- MATERIAL:
    - CONNECTOR:
      - HOUSING - HIGH TEMPERATURE THERMOPLASTIC GLASS FILLED, UL 94V-0, BLACK
      - TERMINALS - COPPER ALLOY
    - SHELL
      - NICKEL SILVER, C770, THICKNESS: 0.250/0.254
  - FINISH:
    - CONNECTOR
      - OPTION 1
        - CONTACT AREA - 0.38 $\mu$ m MIN GOLD OVER 2.54  $\mu$ m NICKEL
        - SOLDER FOOT AREA - 2.54-5.09 $\mu$ m TIN OVER 1.27  $\mu$ m NICKEL
      - OPTION 2
        - CONTACT AREA - 0.76 $\mu$ m MIN GOLD OVER 2.54  $\mu$ m NICKEL
        - SOLDER FOOT AREA - 2.54-5.09 $\mu$ m TIN OVER 1.27  $\mu$ m NICKEL
  - TERMINAL SOLDER FEET TO BE COPLANAR WITHIN 0.10 MEASURED FROM DATUM E
  - DATE CODE: 4 DIGIT (3 DIGIT DAY, 1 DIGIT YEAR) ON CONNECTOR ONLY
  - CIRCUIT IDENTIFIER: SEE APPROPRIATE INDUSTRY SPECIFICATION FOR LOCATION OF PIN 1
  - TO BE USED WITH THE FOLLOWING CABLE SERIES:
    - 79575/74563/79576/74573/79536/74562/74569/74586
  - PACKAGED PER PACKAGING SPECIFICATION: PK-75783-001
  - CONFORMS TO PRODUCT SPECIFICATION: PS-75783-001
  - PROCESS PER APPLICATION SPECIFICATION: AS-75783-001
  - THIS PART CONFORMS TO CLASS C REQUIREMENTS OF COSMETIC SPEC PS-45499-002



36 CIRCUIT  
RETENTION FIT  
SHELL OPTION SHOWN

iPass™ IS A TRADEMARK OF MOLEX

| CIRCUIT SIZE | DIM 'A' | DIM 'B' | DIM 'C' |
|--------------|---------|---------|---------|
| 26           | 12.00   | 13.80   | 11.80   |
| 36           | 16.00   | 17.80   | 15.80   |
| 50           | 21.60   | 23.40   | 21.40   |
| 68           | 28.80   | 30.60   | 28.60   |

| GEOMETRY UPDATE | EC NO:     | DATE | DESCRIPTION |
|-----------------|------------|------|-------------|
| UCP             | 2010/02/03 |      |             |
| DRW             | 2010/02/03 |      |             |
| CHKD            | 2010/03/24 |      |             |
| APPR            | 2010/03/25 |      |             |

| QUALITY SYMBOLS |
|-----------------|
| $\nabla=0$      |
| $\nabla=0$      |

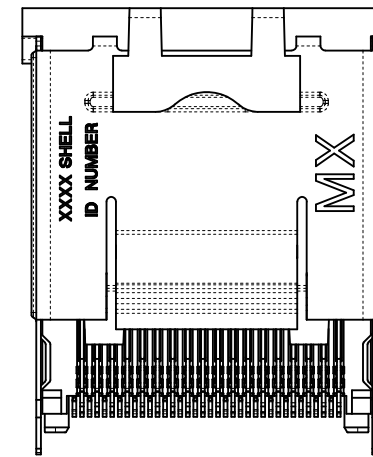
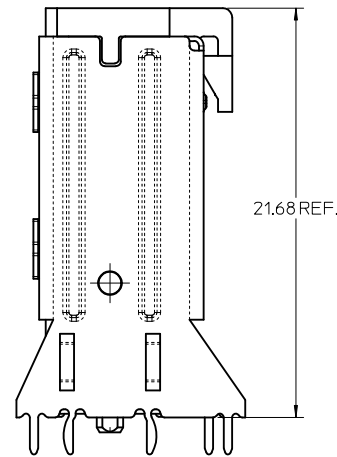
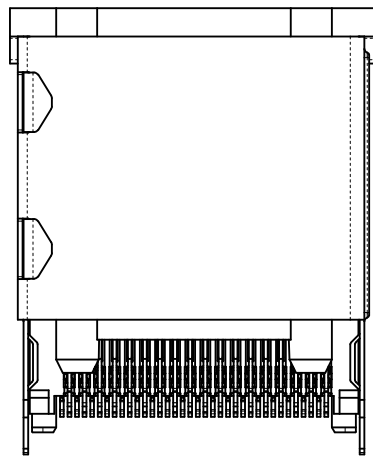
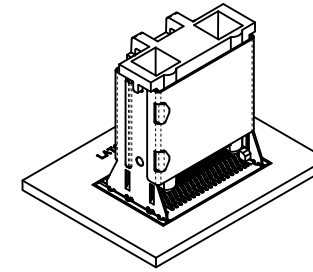
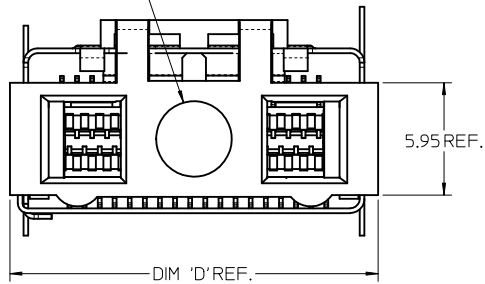
| GENERAL TOLERANCES (UNLESS SPECIFIED)                |           |
|--|-----------|
| mm   | INCH      |
| 4 PLACES $\pm$ ---                                   | $\pm$ --- |
| 3 PLACES $\pm$ ---                                   | $\pm$ --- |
| 2 PLACES $\pm$ 0.13                                  | $\pm$ --- |
| 1 PLACE $\pm$ 0.25                                   | $\pm$ --- |
| ANGULAR $\pm$ 1/2°                                   |           |
| DRAFT WHERE APPLICABLE MUST REMAIN WITHIN DIMENSIONS |           |

| DIMENSION STYLE   |          |
|---|----------|
| MM ONLY   |          |
| DRAWN BY  | DATE     |
| KLANG   | 02/09/05 |
| CHECKED BY  | DATE     |
| JSWENSON  | 02/09/05 |
| APPROVED BY   | DATE     |
| MBANAKIS  | 02/02/05 |
| MATERIAL NO.  |          |
| SEE CHART   |          |
| SIZE  |          |
| THIS DRAWING CONTAINS INFORMATION THAT IS PROPRIETARY TO MOLEX INCORPORATED AND SHOULD NOT BE USED WITHOUT WRITTEN PERMISSION |          |

| SCALE   | DESIGN UNITS | THIRD ANGLE PROJECTION |
|---|--------------|------------------------|
| 5:1   | METRIC       |                        |
| TITLE   |              |                        |
| I-PASS VERT CONNECTOR<br>INTERNAL ASSY W/SHELL<br>0.8MM PITCH I/O |              |                        |
| MOLEX MOLEX INCORPORATED  |              |                        |
| DOCUMENT NO.  | SHEET NO.    |                        |
| SD-75784-001  | 1 OF 12      |                        |

# ASSEMBLY WITH PRE-POSITIONING DEVICE

PICK & PLACE NOZZLE AREA



36 CIRCUIT RETENTION FIT SHOWN

NOTES:

- PICK AND PLACE LOCATION DEFINED ON APPLICATION SPECIFICATION AS-75783-001
- PACKAGING CONSISTS OF CONNECTOR AND SHELL WITH A PRE-POSITIONING PICK AND PLACE DEVICE THAT ARE PACKAGED IN 'TAPE AND REEL' FOR ROBOTIC PICK AND PLACE.

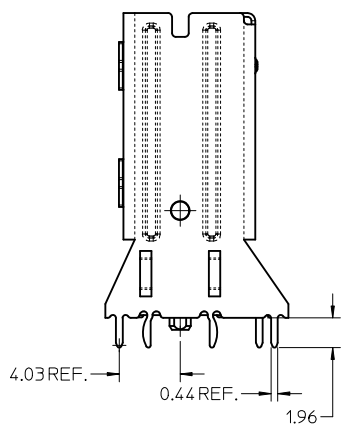
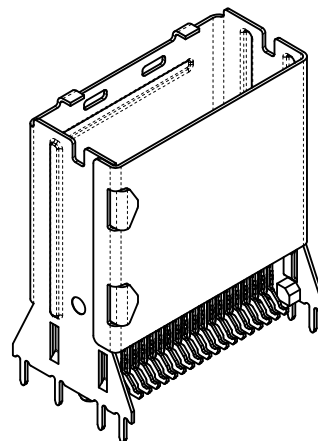
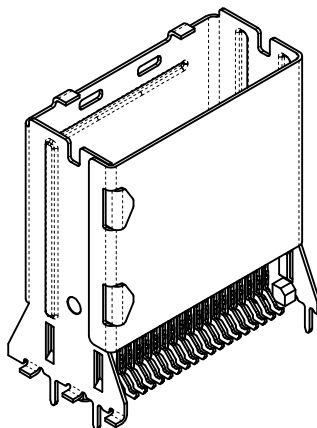
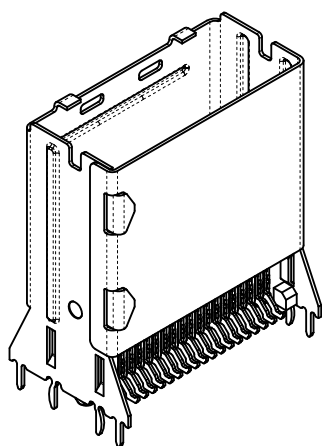
iPass™ IS A TRADEMARK OF MOLEX

| CIRCUIT SIZE | DIM 'D' |
|--------------|---------|
| 26           | 15.50   |
| 36           | 19.50   |
| 50           | 25.10   |
| 68           | 32.30   |

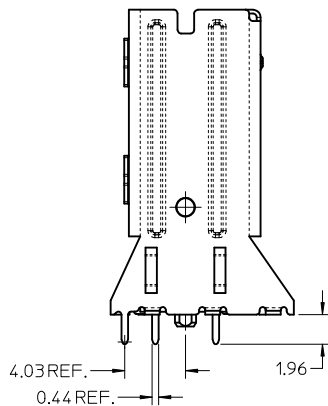
|   |                               |   |         |                            |                  |  |                        |                        |
|---|-------------------------------|---|---------|----------------------------|------------------|--|------------------------|------------------------|
| SEE SHEET 1<br>EC NO: UCP2010-1913<br>DRW:KLANG 2010/02/03<br>CHKD:JSWENSON 2010/03/24<br>APPR:MBANAK IS 2010/03/25 | QUALITY SYMBOLS<br>▽=0<br>▽=0 | GENERAL TOLERANCES (UNLESS SPECIFIED)   |         | DIMENSION STYLE<br>MM ONLY |                  | SCALE<br>5:1   | DESIGN UNITS<br>METRIC | THIRD ANGLE PROJECTION |
|   |                               | 4 PLACES ± --- ± ---<br>3 PLACES ± --- ± ---<br>2 PLACES ± 0.13 ± ---<br>1 PLACE ± 0.25 ± --- | mm INCH | DRAWN BY<br>KLANG          | DATE<br>02/09/05 | TITLE<br>I-PASS VERT CONNECTOR<br>INTERNAL ASSY W/SHELL<br>0.8MM PITCH I/O |                        |                        |
| D2  | DESCRIPTION<br>REV            | ANGULAR ±1/2°   |         | CHECKED BY<br>JSWENSON     | DATE<br>02/09/05 | MOLEX MOLEX INCORPORATED   |                        |                        |
|   |                               | DRAFT WHERE APPLICABLE MUST REMAIN WITHIN DIMENSIONS  |         | APPROVED BY<br>MBANAK IS   | DATE<br>02/02/05 | DOCUMENT NO.<br>SD-75784-001   | SHEET NO.<br>2 OF 12   |                        |

THIS DRAWING CONTAINS INFORMATION THAT IS PROPRIETARY TO MOLEX INCORPORATED AND SHOULD NOT BE USED WITHOUT WRITTEN PERMISSION

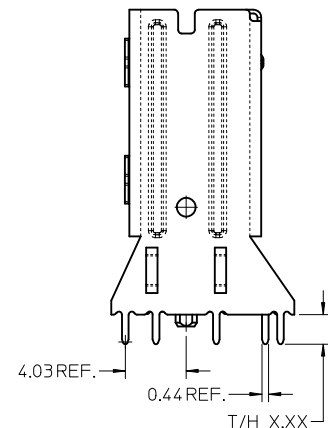
# SHELL PCB INTERFACE



**RETENTION-FIT  
SHELL OPTION**



**SMT SHELL OPTION**



**THRU-HOLE SHELL OPTION  
SEE TABLE FOR LENGTH  
(X.XX DENOTES LENGTH)**

RECOMMENDED PCB THICKNESS  
FOR SPECIFIED TAIL LENGTH

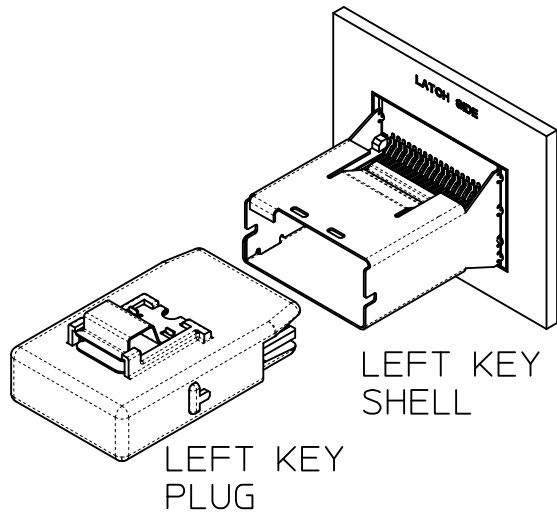
| TAIL LENGTH | PCB THICKNESS |
|-------------|---------------|
| 1.96        | 1.57 (.062)   |
| 2.79        | 2.36 (.093)   |
| 3.18        | 2.79 (.110)   |
| 3.56        | 3.18 (.125)   |

**NOTE:**  
RETENTION FIT DENOTES TAILS THAT OFFER RETENTION  
TO PCB DURING REFLOW PROCESS  
SMT DENOTES SURFACE MOUNT TERMINATION  
T/H X.XX DENOTES THRU-HOLE TAIL OF LENGTH X.XX

|  |                               |                                       |                      |                                   |                                     |                               |  |  |
|--|-------------------------------|---------------------------------------|----------------------|-----------------------------------|-------------------------------------|-------------------------------|--|--|
| SEE SHEET 1<br>EC NO: UCP2010-1913<br>DRW:KLANG 2010/02/03<br>CHKD:JSWENSON 2010/03/24<br>APPR:MBANAKIS 2010/03/25<br>D2 | QUALITY SYMBOLS<br>▽=0<br>▽=0 | GENERAL TOLERANCES (UNLESS SPECIFIED) |                      | DIMENSION STYLE<br><b>MM ONLY</b> | SCALE<br><b>4:1</b>                 | DESIGN UNITS<br><b>METRIC</b> | THIRD ANGLE<br>PROJECTION  |  |
|  |                               |                                       |                      |                                   | DRAWN BY<br>KLANG                   | DATE<br>02/09/05              | <b>I-PASS VERT CONNECTOR<br/>INTERNAL ASSY W/SHELL<br/>0.8MM PITCH I/O</b> |  |
|  |                               | 4 PLACES ± --- ± ---                  | 3 PLACES ± --- ± --- | 2 PLACES ± 0.13 ± ---             | CHECKED BY<br>JSWENSON              | DATE<br>02/09/05              |  |  |
|  |                               | 1 PLACE ± 0.25 ± ---                  | ANGULAR ± 1/2°       |                                   | APPROVED BY<br>MBANAKIS             | DATE<br>02/02/05              | <b>MOLEX INCORPORATED</b>  |  |
| DRAFT WHERE APPLICABLE<br>MUST REMAIN<br>WITHIN DIMENSIONS   |                               |                                       | SEE CHART            |                                   | DOCUMENT NO.<br><b>SD-75784-001</b> | SHEET NO.<br><b>3 OF 12</b>   |  |  |

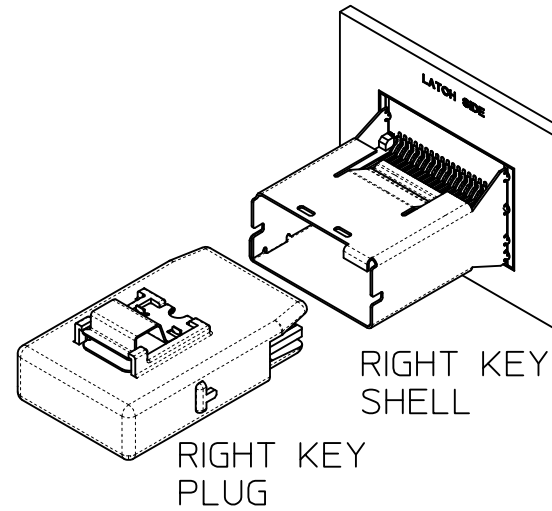
THIS DRAWING CONTAINS INFORMATION THAT IS PROPRIETARY TO MOLEX INCORPORATED AND SHOULD NOT BE USED WITHOUT WRITTEN PERMISSION

# KEYING OPTIONS



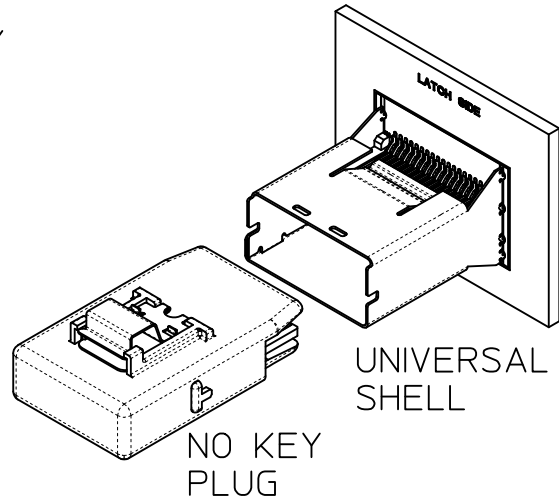
LEFT KEY SHELL

LEFT KEY PLUG



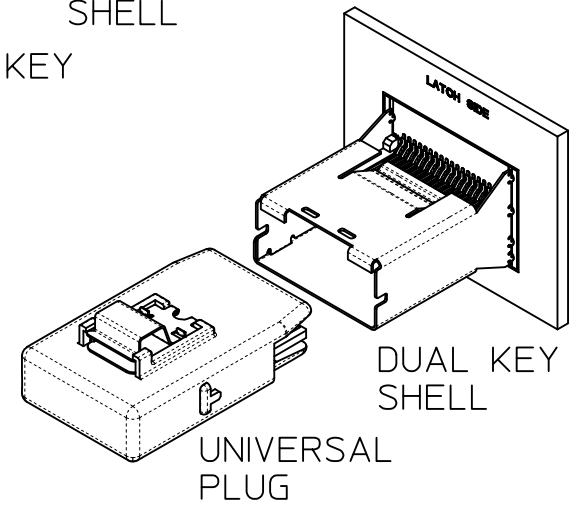
RIGHT KEY SHELL

RIGHT KEY PLUG



UNIVERSAL SHELL

NO KEY PLUG



DUAL KEY SHELL

UNIVERSAL PLUG

|                | UNIVERSAL SHELL | LEFT KEY SHELL | RIGHT KEY SHELL | DUAL KEY SHELL |
|----------------|-----------------|----------------|-----------------|----------------|
| NO KEY PLUG    | YES             | NO             | NO              | NO             |
| LEFT KEY PLUG  | YES             | YES            | NO              | NO             |
| RIGHT KEY PLUG | YES             | NO             | YES             | NO             |
| UNIVERSAL PLUG | YES             | YES            | YES             | YES            |

iPass™ IS A TRADEMARK OF MOLEX

|  |                          |   |  |   |                           |                        |
|--|--------------------------|---|--|---|---------------------------|------------------------|
| SEE SHEET 1<br>EC NO: UCP2010-1913<br>DRW:KLANG 2010/02/03<br>CHKD:JSWENSON 2010/03/24<br>APPR:MBANAKIS 2010/03/25 | QUALITY SYMBOLS          | GENERAL TOLERANCES (UNLESS SPECIFIED)   | DIMENSION STYLE  | SCALE   | DESIGN UNITS              | THIRD ANGLE PROJECTION |
|  | $\nabla=0$<br>$\nabla=0$ | mm      INCH<br>4 PLACES ± --- ± ---<br>3 PLACES ± --- ± ---<br>2 PLACES ± 0.13 ± ---<br>1 PLACE ± 0.25 ± ---<br>ANGULAR ± 1/2° | MM ONLY  | 2:1   | METRIC                    |                        |
|  |                          | DRAFT WHERE APPLICABLE MUST REMAIN WITHIN DIMENSIONS  | DRAWN BY: KLANG<br>CHECKED BY: JSWENSON<br>APPROVED BY: MBANAKIS<br>DATE: 02/09/05<br>DATE: 02/09/05<br>DATE: 02/02/05 | TITLE: I-PASS VERT CONNECTOR INTERNAL ASSY W/SHELL 0.8MM PITCH I/O<br>MOLEX INCORPORATED                                      | DOCUMENT NO. SD-75784-001 | SHEET NO. 4 OF 12      |
|  | REV: D2                  |   | SEE CHART  | THIS DRAWING CONTAINS INFORMATION THAT IS PROPRIETARY TO MOLEX INCORPORATED AND SHOULD NOT BE USED WITHOUT WRITTEN PERMISSION |                           |                        |

# 26 CIRCUIT ITEM NUMBERS

| CIRCUIT SIZE | ITEM NUMBER | PLATING OPTION | SHELL PCB OPTION | SHELL KEY OPTION |
|--------------|-------------|----------------|------------------|------------------|
| 26           | 75784-0007  | OPTION 1       | RETENTION        | LEFT             |
| 26           | 75784-0008  | OPTION 1       | RETENTION        | RIGHT            |
| 26           | 75784-0009  | OPTION 1       | RETENTION        | DUAL             |
| 26           | 75784-0010  | OPTION 1       | SMT              | LEFT             |
| 26           | 75784-0011  | OPTION 1       | SMT              | RIGHT            |
| 26           | 75784-0012  | OPTION 1       | SMT              | DUAL             |
| 26           | 75784-0019  | OPTION 2       | RETENTION        | LEFT             |
| 26           | 75784-0020  | OPTION 2       | RETENTION        | RIGHT            |
| 26           | 75784-0021  | OPTION 2       | RETENTION        | DUAL             |
| 26           | 75784-0022  | OPTION 2       | SMT              | LEFT             |
| 26           | 75784-0023  | OPTION 2       | SMT              | RIGHT            |
| 26           | 75784-0024  | OPTION 2       | SMT              | DUAL             |
| 26           | 75784-0025  | OPTION 1       | RETENTION        | UNIVERSAL        |
| 26           | 75784-0026  | OPTION 1       | SMT              | UNIVERSAL        |
| 26           | 75784-0027  | OPTION 2       | RETENTION        | UNIVERSAL        |
| 26           | 75784-0028  | OPTION 2       | SMT              | UNIVERSAL        |
| 26           | 75784-0029  | OPTION 1       | T/H 1.96         | LEFT             |
| 26           | 75784-0030  | OPTION 1       | T/H 1.96         | RIGHT            |
| 26           | 75784-0031  | OPTION 1       | T/H 1.96         | DUAL             |
| 26           | 75784-0032  | OPTION 1       | T/H 1.96         | UNIVERSAL        |
| 26           | 75784-0033  | OPTION 2       | T/H 1.96         | LEFT             |
| 26           | 75784-0034  | OPTION 2       | T/H 1.96         | RIGHT            |
| 26           | 75784-0035  | OPTION 2       | T/H 1.96         | DUAL             |
| 26           | 75784-0036  | OPTION 2       | T/H 1.96         | UNIVERSAL        |

| CIRCUIT SIZE | ITEM NUMBER | PLATING OPTION | SHELL PCB OPTION | SHELL KEY OPTION |
|--------------|-------------|----------------|------------------|------------------|
| 26           | 75784-0037  | OPTION 1       | T/H 2.79         | LEFT             |
| 26           | 75784-0038  | OPTION 1       | T/H 2.79         | RIGHT            |
| 26           | 75784-0039  | OPTION 1       | T/H 2.79         | DUAL             |
| 26           | 75784-0040  | OPTION 1       | T/H 2.79         | UNIVERSAL        |
| 26           | 75784-0041  | OPTION 2       | T/H 2.79         | LEFT             |
| 26           | 75784-0042  | OPTION 2       | T/H 2.79         | RIGHT            |
| 26           | 75784-0043  | OPTION 2       | T/H 2.79         | DUAL             |
| 26           | 75784-0044  | OPTION 2       | T/H 2.79         | UNIVERSAL        |
| 26           | 75784-0045  | OPTION 1       | T/H 3.18         | LEFT             |
| 26           | 75784-0046  | OPTION 1       | T/H 3.18         | RIGHT            |
| 26           | 75784-0047  | OPTION 1       | T/H 3.18         | DUAL             |
| 26           | 75784-0048  | OPTION 1       | T/H 3.18         | UNIVERSAL        |
| 26           | 75784-0049  | OPTION 2       | T/H 3.18         | LEFT             |
| 26           | 75784-0050  | OPTION 2       | T/H 3.18         | RIGHT            |
| 26           | 75784-0051  | OPTION 2       | T/H 3.18         | DUAL             |
| 26           | 75784-0052  | OPTION 2       | T/H 3.18         | UNIVERSAL        |

iPass™ IS A TRADEMARK OF MOLEX

| SEE SHEET 1<br>EC NO: UCP2010-1913<br>DRW:KLANG<br>CHKD:JSWENSON<br>APPR:MBANAKIS | 2010/02/03<br>2010/03/24<br>2010/03/25 | DESCRIPTION<br>REV  | QUALITY SYMBOLS<br>▽=0<br>▽=0       | GENERAL TOLERANCES (UNLESS SPECIFIED)<br><table border="1"> <tr> <th></th> <th>mm</th> <th>INCH</th> </tr> <tr> <td>4 PLACES</td> <td>± ---</td> <td>± ---</td> </tr> <tr> <td>3 PLACES</td> <td>± ---</td> <td>± ---</td> </tr> <tr> <td>2 PLACES</td> <td>± 0.13</td> <td>± ---</td> </tr> <tr> <td>1 PLACE</td> <td>± 0.25</td> <td>± ---</td> </tr> </table> ANGULAR ±1/2° |       | mm | INCH | 4 PLACES | ± --- | ± --- | 3 PLACES | ± --- | ± --- | 2 PLACES | ± 0.13 | ± --- | 1 PLACE | ± 0.25 | ± --- | DIMENSION STYLE<br><b>MM ONLY</b> | SCALE<br><b>2:1</b> | DESIGN UNITS<br><b>METRIC</b> | THIRD ANGLE PROJECTION |
|---|--|---|-------------------------------------|--|-------|----|------|----------|-------|-------|----------|-------|-------|----------|--------|-------|---------|--------|-------|-----------------------------------|---------------------|-------------------------------|------------------------|
|   |  |   |                                     | mm   | INCH  |    |      |          |       |       |          |       |       |          |        |       |         |        |       |                                   |                     |                               |                        |
|   |  |   | 4 PLACES                            | ± ---  | ± --- |    |      |          |       |       |          |       |       |          |        |       |         |        |       |                                   |                     |                               |                        |
|   |  |   | 3 PLACES                            | ± ---  | ± --- |    |      |          |       |       |          |       |       |          |        |       |         |        |       |                                   |                     |                               |                        |
| 2 PLACES  | ± 0.13                                 | ± ---   |                                     |  |       |    |      |          |       |       |          |       |       |          |        |       |         |        |       |                                   |                     |                               |                        |
| 1 PLACE   | ± 0.25                                 | ± ---   |                                     |  |       |    |      |          |       |       |          |       |       |          |        |       |         |        |       |                                   |                     |                               |                        |
| DRAWN BY<br>KLANG   | DATE<br>02/09/05                       | TITLE<br><b>I-PASS VERT CONNECTOR<br/>                 INTERNAL ASSY W/SHELL<br/>                 0.8MM PITCH I/O</b> |                                     |  |       |    |      |          |       |       |          |       |       |          |        |       |         |        |       |                                   |                     |                               |                        |
| CHECKED BY<br>JSWENSON  | DATE<br>02/09/05                       | MOLEX MOLEX INCORPORATED  |                                     |  |       |    |      |          |       |       |          |       |       |          |        |       |         |        |       |                                   |                     |                               |                        |
| APPROVED BY<br>MBANAKIS   | DATE<br>02/02/05                       | MATERIAL NO.<br><b>SEE CHART</b>  | DOCUMENT NO.<br><b>SD-75784-001</b> | SHEET NO.<br>5 OF 12   |       |    |      |          |       |       |          |       |       |          |        |       |         |        |       |                                   |                     |                               |                        |

THIS DRAWING CONTAINS INFORMATION THAT IS PROPRIETARY TO MOLEX INCORPORATED AND SHOULD NOT BE USED WITHOUT WRITTEN PERMISSION

# 36 CIRCUIT ITEM NUMBERS

| CIRCUIT SIZE | ITEM NUMBER | PLATING OPTION | SHELL PCB OPTION | SHELL KEY OPTION |
|--------------|-------------|----------------|------------------|------------------|
| 36           | 75784-0107  | OPTION 1       | RETENTION        | LEFT             |
| 36           | 75784-0108  | OPTION 1       | RETENTION        | RIGHT            |
| 36           | 75784-0109  | OPTION 1       | RETENTION        | DUAL             |
| 36           | 75784-0110  | OPTION 1       | SMT              | LEFT             |
| 36           | 75784-0111  | OPTION 1       | SMT              | RIGHT            |
| 36           | 75784-0112  | OPTION 1       | SMT              | DUAL             |
| 36           | 75784-0119  | OPTION 2       | RETENTION        | LEFT             |
| 36           | 75784-0120  | OPTION 2       | RETENTION        | RIGHT            |
| 36           | 75784-0121  | OPTION 2       | RETENTION        | DUAL             |
| 36           | 75784-0122  | OPTION 2       | SMT              | LEFT             |
| 36           | 75784-0123  | OPTION 2       | SMT              | RIGHT            |
| 36           | 75784-0124  | OPTION 2       | SMT              | DUAL             |
| 36           | 75784-0125  | OPTION 1       | RETENTION        | UNIVERSAL        |
| 36           | 75784-0126  | OPTION 1       | SMT              | UNIVERSAL        |
| 36           | 75784-0127  | OPTION 2       | RETENTION        | UNIVERSAL        |
| 36           | 75784-0128  | OPTION 2       | SMT              | UNIVERSAL        |
| 36           | 75784-0129  | OPTION 1       | T/H 1.96         | LEFT             |
| 36           | 75784-0130  | OPTION 1       | T/H 1.96         | RIGHT            |
| 36           | 75784-0131  | OPTION 1       | T/H 1.96         | DUAL             |
| 36           | 75784-0132  | OPTION 1       | T/H 1.96         | UNIVERSAL        |
| 36           | 75784-0133  | OPTION 2       | T/H 1.96         | LEFT             |
| 36           | 75784-0134  | OPTION 2       | T/H 1.96         | RIGHT            |
| 36           | 75784-0135  | OPTION 2       | T/H 1.96         | DUAL             |
| 36           | 75784-0136  | OPTION 2       | T/H 1.96         | UNIVERSAL        |

| CIRCUIT SIZE | ITEM NUMBER | PLATING OPTION | SHELL PCB OPTION | SHELL KEY OPTION |
|--------------|-------------|----------------|------------------|------------------|
| 36           | 75784-0137  | OPTION 1       | T/H 2.79         | LEFT             |
| 36           | 75784-0138  | OPTION 1       | T/H 2.79         | RIGHT            |
| 36           | 75784-0139  | OPTION 1       | T/H 2.79         | DUAL             |
| 36           | 75784-0140  | OPTION 1       | T/H 2.79         | UNIVERSAL        |
| 36           | 75784-0141  | OPTION 2       | T/H 2.79         | LEFT             |
| 36           | 75784-0142  | OPTION 2       | T/H 2.79         | RIGHT            |
| 36           | 75784-0143  | OPTION 2       | T/H 2.79         | DUAL             |
| 36           | 75784-0144  | OPTION 2       | T/H 2.79         | UNIVERSAL        |
| 36           | 75784-0145  | OPTION 1       | T/H 3.18         | LEFT             |
| 36           | 75784-0146  | OPTION 1       | T/H 3.18         | RIGHT            |
| 36           | 75784-0147  | OPTION 1       | T/H 3.18         | DUAL             |
| 36           | 75784-0148  | OPTION 1       | T/H 3.18         | UNIVERSAL        |
| 36           | 75784-0149  | OPTION 2       | T/H 3.18         | LEFT             |
| 36           | 75784-0150  | OPTION 2       | T/H 3.18         | RIGHT            |
| 36           | 75784-0151  | OPTION 2       | T/H 3.18         | DUAL             |
| 36           | 75784-0152  | OPTION 2       | T/H 3.18         | UNIVERSAL        |
| 36           | 75784-0153  | OPTION 1       | T/H 3.56         | LEFT             |
| 36           | 75784-0154  | OPTION 1       | T/H 3.56         | RIGHT            |
| 36           | 75784-0155  | OPTION 1       | T/H 3.56         | DUAL             |
| 36           | 75784-0156  | OPTION 1       | T/H 3.56         | UNIVERSAL        |
| 36           | 75784-0157  | OPTION 2       | T/H 3.56         | LEFT             |
| 36           | 75784-0158  | OPTION 2       | T/H 3.56         | RIGHT            |
| 36           | 75784-0159  | OPTION 2       | T/H 3.56         | DUAL             |
| 36           | 75784-0160  | OPTION 2       | T/H 3.56         | UNIVERSAL        |

iPass™ IS A TRADEMARK OF MOLEX

| SEE SHEET 1<br>EC NO: UCP2010-1913<br>DRW:KLANG<br>CHKD:JSWENSON<br>APPR:MBANAKIS  | 2010/02/03<br>2010/03/24<br>2010/03/25 | DESCRIPTION<br>REV                  | QUALITY SYMBOLS<br>▽=0<br>▽=0   | GENERAL TOLERANCES (UNLESS SPECIFIED)<br><table border="1"> <tr> <th></th> <th>mm</th> <th>INCH</th> </tr> <tr> <td>4 PLACES</td> <td>± .005</td> <td>± .0004</td> </tr> <tr> <td>3 PLACES</td> <td>± .005</td> <td>± .0004</td> </tr> <tr> <td>2 PLACES</td> <td>± 0.13</td> <td>± .005</td> </tr> <tr> <td>1 PLACE</td> <td>± 0.25</td> <td>± .010</td> </tr> </table> |         | mm | INCH | 4 PLACES | ± .005 | ± .0004 | 3 PLACES | ± .005 | ± .0004 | 2 PLACES | ± 0.13 | ± .005 | 1 PLACE | ± 0.25 | ± .010 | DIMENSION STYLE<br><b>MM ONLY</b> | SCALE<br><b>2:1</b> | DESIGN UNITS<br><b>METRIC</b> | THIRD ANGLE PROJECTION |
|--|--|-------------------------------------|---|--|---------|----|------|----------|--------|---------|----------|--------|---------|----------|--------|--------|---------|--------|--------|-----------------------------------|---------------------|-------------------------------|------------------------|
|  |  |                                     |   | mm   | INCH    |    |      |          |        |         |          |        |         |          |        |        |         |        |        |                                   |                     |                               |                        |
|  |  |                                     | 4 PLACES  | ± .005   | ± .0004 |    |      |          |        |         |          |        |         |          |        |        |         |        |        |                                   |                     |                               |                        |
|  |  |                                     | 3 PLACES  | ± .005   | ± .0004 |    |      |          |        |         |          |        |         |          |        |        |         |        |        |                                   |                     |                               |                        |
| 2 PLACES   | ± 0.13                                 | ± .005                              |   |  |         |    |      |          |        |         |          |        |         |          |        |        |         |        |        |                                   |                     |                               |                        |
| 1 PLACE  | ± 0.25                                 | ± .010                              |   |  |         |    |      |          |        |         |          |        |         |          |        |        |         |        |        |                                   |                     |                               |                        |
| DRAWN BY<br>KLANG  |  | DATE<br>02/09/05                    | TITLE<br><b>I-PASS VERT CONNECTOR<br/>                 INTERNAL ASSY W/SHELL<br/>                 0.8MM PITCH I/O</b> |  |         |    |      |          |        |         |          |        |         |          |        |        |         |        |        |                                   |                     |                               |                        |
| CHECKED BY<br>JSWENSON   |  | DATE<br>02/09/05                    |   |  |         |    |      |          |        |         |          |        |         |          |        |        |         |        |        |                                   |                     |                               |                        |
| APPROVED BY<br>MBANAKIS  |  | DATE<br>02/02/05                    | MOLEX INCORPORATED  |  |         |    |      |          |        |         |          |        |         |          |        |        |         |        |        |                                   |                     |                               |                        |
| MATERIAL NO.   |  | DOCUMENT NO.<br><b>SD-75784-001</b> |   |  |         |    |      |          |        |         |          |        |         |          |        |        |         |        |        |                                   |                     |                               |                        |
| DRAFT WHERE APPLICABLE<br>MUST REMAIN<br>WITHIN DIMENSIONS   |  | SEE CHART                           | SHEET NO.<br>6 OF 12  |  |         |    |      |          |        |         |          |        |         |          |        |        |         |        |        |                                   |                     |                               |                        |
| THIS DRAWING CONTAINS INFORMATION THAT IS PROPRIETARY TO MOLEX<br>INCORPORATED AND SHOULD NOT BE USED WITHOUT WRITTEN PERMISSION |  |                                     |   |  |         |    |      |          |        |         |          |        |         |          |        |        |         |        |        |                                   |                     |                               |                        |



# 50 CIRCUIT ITEM NUMBERS

| CIRCUIT SIZE | ITEM NUMBER | PLATING OPTION | SHELL PCB OPTION | SHELL KEY OPTION |
|--------------|-------------|----------------|------------------|------------------|
| 50           | 75784-0207  | OPTION 1       | RETENTION        | LEFT             |
| 50           | 75784-0208  | OPTION 1       | RETENTION        | RIGHT            |
| 50           | 75784-0209  | OPTION 1       | RETENTION        | DUAL             |
| 50           | 75784-0210  | OPTION 1       | SMT              | LEFT             |
| 50           | 75784-0211  | OPTION 1       | SMT              | RIGHT            |
| 50           | 75784-0212  | OPTION 1       | SMT              | DUAL             |
| 50           | 75784-0219  | OPTION 2       | RETENTION        | LEFT             |
| 50           | 75784-0220  | OPTION 2       | RETENTION        | RIGHT            |
| 50           | 75784-0221  | OPTION 2       | RETENTION        | DUAL             |
| 50           | 75784-0222  | OPTION 2       | SMT              | LEFT             |
| 50           | 75784-0223  | OPTION 2       | SMT              | RIGHT            |
| 50           | 75784-0224  | OPTION 2       | SMT              | DUAL             |
| 50           | 75784-0225  | OPTION 1       | RETENTION        | UNIVERSAL        |
| 50           | 75784-0226  | OPTION 1       | SMT              | UNIVERSAL        |
| 50           | 75784-0227  | OPTION 2       | RETENTION        | UNIVERSAL        |
| 50           | 75784-0228  | OPTION 2       | SMT              | UNIVERSAL        |
| 50           | 75784-0229  | OPTION 1       | T/H 1.96         | LEFT             |
| 50           | 75784-0230  | OPTION 1       | T/H 1.96         | RIGHT            |
| 50           | 75784-0231  | OPTION 1       | T/H 1.96         | DUAL             |
| 50           | 75784-0232  | OPTION 1       | T/H 1.96         | UNIVERSAL        |
| 50           | 75784-0233  | OPTION 2       | T/H 1.96         | LEFT             |
| 50           | 75784-0234  | OPTION 2       | T/H 1.96         | RIGHT            |
| 50           | 75784-0235  | OPTION 2       | T/H 1.96         | DUAL             |
| 50           | 75784-0236  | OPTION 2       | T/H 1.96         | UNIVERSAL        |

| CIRCUIT SIZE | ITEM NUMBER | PLATING OPTION | SHELL PCB OPTION | SHELL KEY OPTION |
|--------------|-------------|----------------|------------------|------------------|
| 50           | 75784-0237  | OPTION 1       | T/H 2.79         | LEFT             |
| 50           | 75784-0238  | OPTION 1       | T/H 2.79         | RIGHT            |
| 50           | 75784-0239  | OPTION 1       | T/H 2.79         | DUAL             |
| 50           | 75784-0240  | OPTION 1       | T/H 2.79         | UNIVERSAL        |
| 50           | 75784-0241  | OPTION 2       | T/H 2.79         | LEFT             |
| 50           | 75784-0242  | OPTION 2       | T/H 2.79         | RIGHT            |
| 50           | 75784-0243  | OPTION 2       | T/H 2.79         | DUAL             |
| 50           | 75784-0244  | OPTION 2       | T/H 2.79         | UNIVERSAL        |
| 50           | 75784-0245  | OPTION 1       | T/H 3.18         | LEFT             |
| 50           | 75784-0246  | OPTION 1       | T/H 3.18         | RIGHT            |
| 50           | 75784-0247  | OPTION 1       | T/H 3.18         | DUAL             |
| 50           | 75784-0248  | OPTION 1       | T/H 3.18         | UNIVERSAL        |
| 50           | 75784-0249  | OPTION 2       | T/H 3.18         | LEFT             |
| 50           | 75784-0250  | OPTION 2       | T/H 3.18         | RIGHT            |
| 50           | 75784-0251  | OPTION 2       | T/H 3.18         | DUAL             |
| 50           | 75784-0252  | OPTION 2       | T/H 3.18         | UNIVERSAL        |

iPass™ IS A TRADEMARK OF MOLEX

| SEE SHEET 1<br>EC NO: UCP2010-1913<br>DRINKLANG 2010/02/03<br>CHKD:JSWENSON 2010/03/24<br>APPR:MBANAKIS 2010/03/25               | DESCRIPTION<br>REV: D2 | QUALITY SYMBOLS<br>▽=0<br>▽=0 | GENERAL TOLERANCES (UNLESS SPECIFIED)<br><table border="1" style="width: 100%; border-collapse: collapse;"> <thead> <tr> <th></th> <th>mm</th> <th>INCH</th> </tr> </thead> <tbody> <tr> <td>4 PLACES</td> <td>± .005</td> <td>± .0002</td> </tr> <tr> <td>3 PLACES</td> <td>± .005</td> <td>± .0002</td> </tr> <tr> <td>2 PLACES</td> <td>± 0.13</td> <td>± .005</td> </tr> <tr> <td>1 PLACE</td> <td>± 0.25</td> <td>± .010</td> </tr> </tbody> </table> ANGULAR ±1/2° |         | mm  | INCH | 4 PLACES             | ± .005 | ± .0002 | 3 PLACES | ± .005 | ± .0002 | 2 PLACES | ± 0.13 | ± .005 | 1 PLACE | ± 0.25 | ± .010 | DIMENSION STYLE<br><b>MM ONLY</b><br>DRAWN BY: KLANG DATE: 02/09/05<br>CHECKED BY: JSWENSON DATE: 02/09/05<br>APPROVED BY: MBANAKIS DATE: 02/02/05 | SCALE<br><b>2:1</b> | DESIGN UNITS<br><b>METRIC</b> | THIRD ANGLE PROJECTION<br> | TITLE<br><b>I-PASS VERT CONNECTOR<br/>                 INTERNAL ASSY W/SHELL<br/>                 0.8MM PITCH I/O</b> |
|--|------------------------|-------------------------------|--|---------|---|------|----------------------|--------|---------|----------|--------|---------|----------|--------|--------|---------|--------|--------|--|---------------------|-------------------------------|----------------------------|---|
|  |                        |                               | mm   | INCH    |   |      |                      |        |         |          |        |         |          |        |        |         |        |        |  |                     |                               |                            |   |
|  |                        | 4 PLACES                      | ± .005   | ± .0002 |   |      |                      |        |         |          |        |         |          |        |        |         |        |        |  |                     |                               |                            |   |
|  |                        | 3 PLACES                      | ± .005   | ± .0002 |   |      |                      |        |         |          |        |         |          |        |        |         |        |        |  |                     |                               |                            |   |
| 2 PLACES   | ± 0.13                 | ± .005                        |  |         |   |      |                      |        |         |          |        |         |          |        |        |         |        |        |  |                     |                               |                            |   |
| 1 PLACE  | ± 0.25                 | ± .010                        |  |         |   |      |                      |        |         |          |        |         |          |        |        |         |        |        |  |                     |                               |                            |   |
| DRAFT WHERE APPLICABLE<br>MUST REMAIN<br>WITHIN DIMENSIONS   |                        |                               | MATERIAL NO.<br><b>SEE CHART</b>   |         | MOLEX INCORPORATED<br>DOCUMENT NO.<br><b>SD-75784-001</b> |      | SHEET NO.<br>7 OF 12 |        |         |          |        |         |          |        |        |         |        |        |  |                     |                               |                            |   |
| THIS DRAWING CONTAINS INFORMATION THAT IS PROPRIETARY TO MOLEX<br>INCORPORATED AND SHOULD NOT BE USED WITHOUT WRITTEN PERMISSION |                        |                               |  |         |   |      |                      |        |         |          |        |         |          |        |        |         |        |        |  |                     |                               |                            |   |
|  |                        |                               |  |         |   |      |                      |        |         |          |        |         |          |        |        |         |        |        |  |                     |                               |                            |   |

# 68 CIRCUIT ITEM NUMBERS

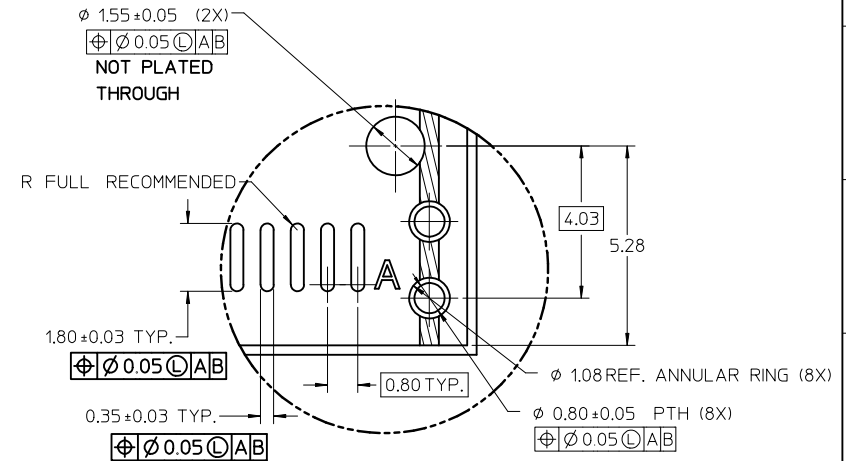
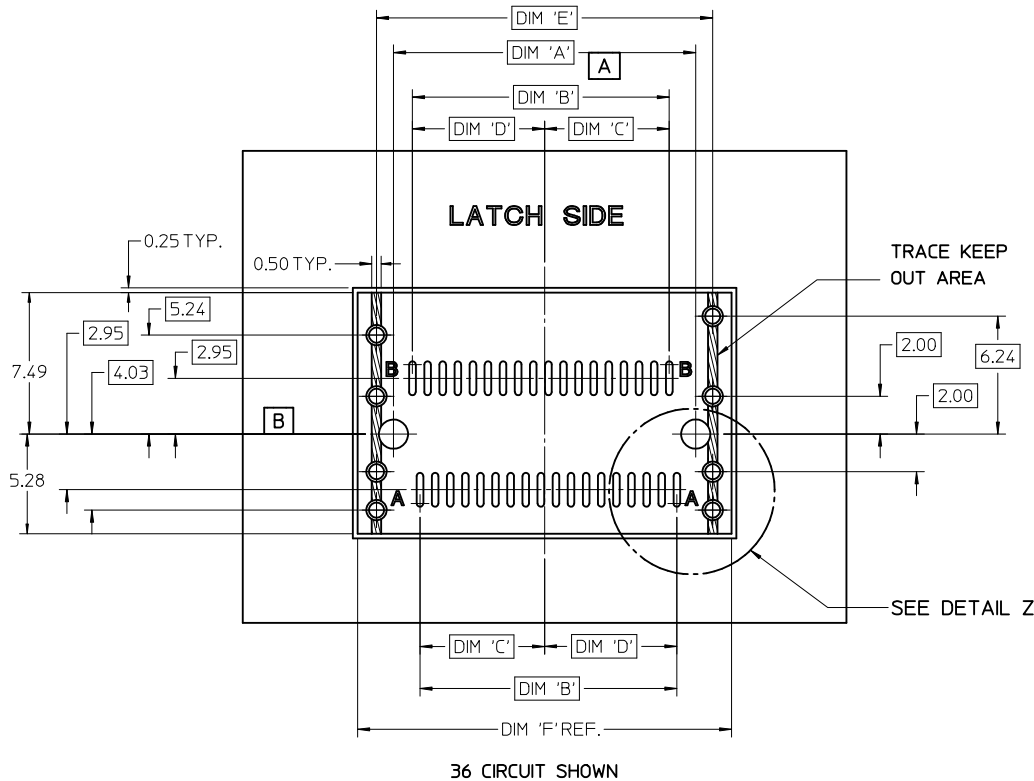
| CIRCUIT SIZE | ITEM NUMBER | PLATING OPTION | SHELL PCB OPTION | SHELL KEY OPTION |
|--------------|-------------|----------------|------------------|------------------|
| 68           | 75784-0307  | OPTION 1       | RETENTION        | LEFT             |
| 68           | 75784-0308  | OPTION 1       | RETENTION        | RIGHT            |
| 68           | 75784-0309  | OPTION 1       | RETENTION        | DUAL             |
| 68           | 75784-0310  | OPTION 1       | SMT              | LEFT             |
| 68           | 75784-0311  | OPTION 1       | SMT              | RIGHT            |
| 68           | 75784-0312  | OPTION 1       | SMT              | DUAL             |
| 68           | 75784-0319  | OPTION 2       | RETENTION        | LEFT             |
| 68           | 75784-0320  | OPTION 2       | RETENTION        | RIGHT            |
| 68           | 75784-0321  | OPTION 2       | RETENTION        | DUAL             |
| 68           | 75784-0322  | OPTION 2       | SMT              | LEFT             |
| 68           | 75784-0323  | OPTION 2       | SMT              | RIGHT            |
| 68           | 75784-0324  | OPTION 2       | SMT              | DUAL             |
| 68           | 75784-0325  | OPTION 1       | RETENTION        | UNIVERSAL        |
| 68           | 75784-0326  | OPTION 1       | SMT              | UNIVERSAL        |
| 68           | 75784-0327  | OPTION 2       | RETENTION        | UNIVERSAL        |
| 68           | 75784-0328  | OPTION 2       | SMT              | UNIVERSAL        |
| 68           | 75784-0329  | OPTION 1       | T/H 1.96         | LEFT             |
| 68           | 75784-0330  | OPTION 1       | T/H 1.96         | RIGHT            |
| 68           | 75784-0331  | OPTION 1       | T/H 1.96         | DUAL             |
| 68           | 75784-0332  | OPTION 1       | T/H 1.96         | UNIVERSAL        |
| 68           | 75784-0333  | OPTION 2       | T/H 1.96         | LEFT             |
| 68           | 75784-0334  | OPTION 2       | T/H 1.96         | RIGHT            |
| 68           | 75784-0335  | OPTION 2       | T/H 1.96         | DUAL             |
| 68           | 75784-0336  | OPTION 2       | T/H 1.96         | UNIVERSAL        |

| CIRCUIT SIZE | ITEM NUMBER | PLATING OPTION | SHELL PCB OPTION | SHELL KEY OPTION |
|--------------|-------------|----------------|------------------|------------------|
| 68           | 75784-0337  | OPTION 1       | T/H 2.79         | LEFT             |
| 68           | 75784-0338  | OPTION 1       | T/H 2.79         | RIGHT            |
| 68           | 75784-0339  | OPTION 1       | T/H 2.79         | DUAL             |
| 68           | 75784-0340  | OPTION 1       | T/H 2.79         | UNIVERSAL        |
| 68           | 75784-0341  | OPTION 2       | T/H 2.79         | LEFT             |
| 68           | 75784-0342  | OPTION 2       | T/H 2.79         | RIGHT            |
| 68           | 75784-0343  | OPTION 2       | T/H 2.79         | DUAL             |
| 68           | 75784-0344  | OPTION 2       | T/H 2.79         | UNIVERSAL        |
| 68           | 75784-0345  | OPTION 1       | T/H 3.18         | LEFT             |
| 68           | 75784-0346  | OPTION 1       | T/H 3.18         | RIGHT            |
| 68           | 75784-0347  | OPTION 1       | T/H 3.18         | DUAL             |
| 68           | 75784-0348  | OPTION 1       | T/H 3.18         | UNIVERSAL        |
| 68           | 75784-0349  | OPTION 2       | T/H 3.18         | LEFT             |
| 68           | 75784-0350  | OPTION 2       | T/H 3.18         | RIGHT            |
| 68           | 75784-0351  | OPTION 2       | T/H 3.18         | DUAL             |
| 68           | 75784-0352  | OPTION 2       | T/H 3.18         | UNIVERSAL        |

iPass™ IS A TRADEMARK OF MOLEX

| SEE SHEET 1<br>EC NO: UCP2010-1913<br>DRW:KLANG 2010/02/03<br>CHKD:JSWENSON 2010/03/24<br>APPR:MBANAKIS 2010/03/25 | QUALITY SYMBOLS<br>▽=0<br>▽=0 | GENERAL TOLERANCES (UNLESS SPECIFIED)<br><table border="1" style="width: 100%; border-collapse: collapse;"> <thead> <tr> <th></th> <th>mm</th> <th>INCH</th> </tr> </thead> <tbody> <tr><td>4 PLACES</td><td>± .005</td><td>± .0002</td></tr> <tr><td>3 PLACES</td><td>± .005</td><td>± .0002</td></tr> <tr><td>2 PLACES</td><td>± 0.13</td><td>± .005</td></tr> <tr><td>1 PLACE</td><td>± 0.25</td><td>± .010</td></tr> </tbody> </table> |   | mm                                  | INCH                 | 4 PLACES | ± .005 | ± .0002 | 3 PLACES | ± .005 | ± .0002 | 2 PLACES | ± 0.13 | ± .005 | 1 PLACE | ± 0.25 | ± .010 | DIMENSION STYLE<br><b>MM ONLY</b> | SCALE<br><b>2:1</b> | DESIGN UNITS<br><b>METRIC</b> | THIRD ANGLE PROJECTION<br> |
|--|-------------------------------|--|---|-------------------------------------|----------------------|----------|--------|---------|----------|--------|---------|----------|--------|--------|---------|--------|--------|-----------------------------------|---------------------|-------------------------------|----------------------------|
|  |                               | mm   | INCH  |                                     |                      |          |        |         |          |        |         |          |        |        |         |        |        |                                   |                     |                               |                            |
|  | 4 PLACES                      | ± .005   | ± .0002   |                                     |                      |          |        |         |          |        |         |          |        |        |         |        |        |                                   |                     |                               |                            |
|  | 3 PLACES                      | ± .005   | ± .0002   |                                     |                      |          |        |         |          |        |         |          |        |        |         |        |        |                                   |                     |                               |                            |
| 2 PLACES   | ± 0.13                        | ± .005   |   |                                     |                      |          |        |         |          |        |         |          |        |        |         |        |        |                                   |                     |                               |                            |
| 1 PLACE  | ± 0.25                        | ± .010   |   |                                     |                      |          |        |         |          |        |         |          |        |        |         |        |        |                                   |                     |                               |                            |
| DRAFT WHERE APPLICABLE<br>MUST REMAIN<br>WITHIN DIMENSIONS   | DRAWN BY<br>KLANG             | DATE<br>02/09/05   | TITLE<br><b>I-PASS VERT CONNECTOR<br/>                 INTERNAL ASSY W/SHELL<br/>                 0.8MM PITCH I/O</b> |                                     |                      |          |        |         |          |        |         |          |        |        |         |        |        |                                   |                     |                               |                            |
| SEE CHART  | CHECKED BY<br>JSWENSON        | DATE<br>02/09/05   | MOLEX INCORPORATED  |                                     |                      |          |        |         |          |        |         |          |        |        |         |        |        |                                   |                     |                               |                            |
| D2   | APPROVED BY<br>MBANAKIS       | DATE<br>02/02/05   | MATERIAL NO.  | DOCUMENT NO.<br><b>SD-75784-001</b> | SHEET NO.<br>8 OF 12 |          |        |         |          |        |         |          |        |        |         |        |        |                                   |                     |                               |                            |

# VERTICAL CONNECTOR WITH RETENTION FIT & THRU-HOLE SHELL PCB FOOT PRINT

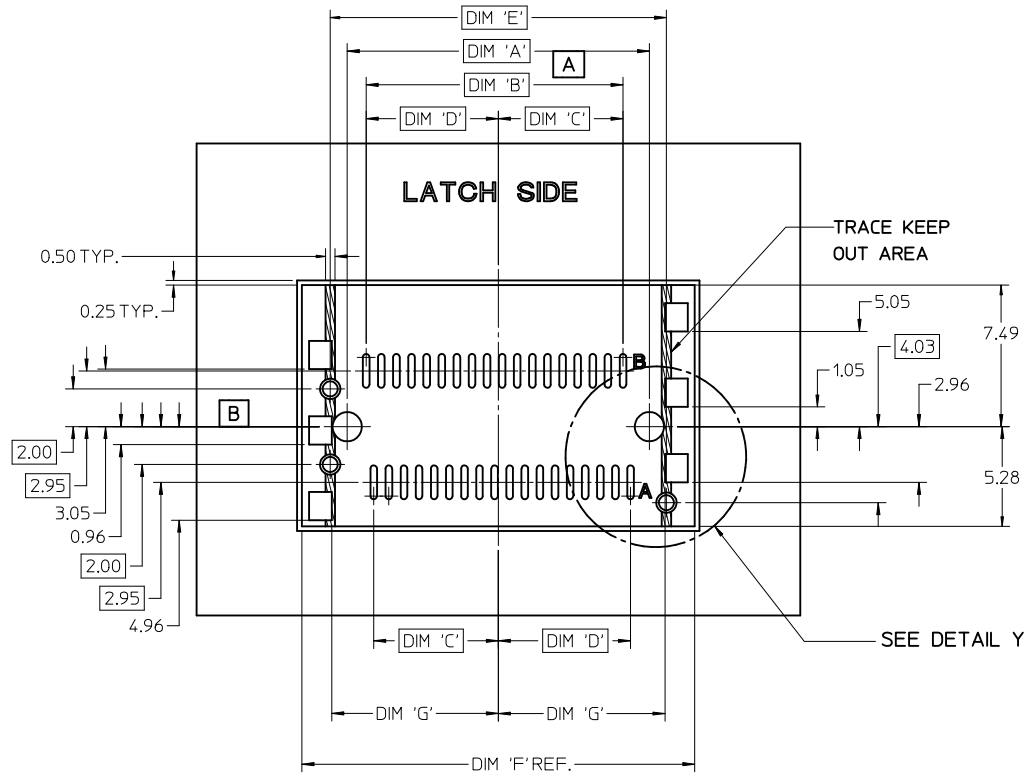


DETAIL Z  
SCALE 10:1

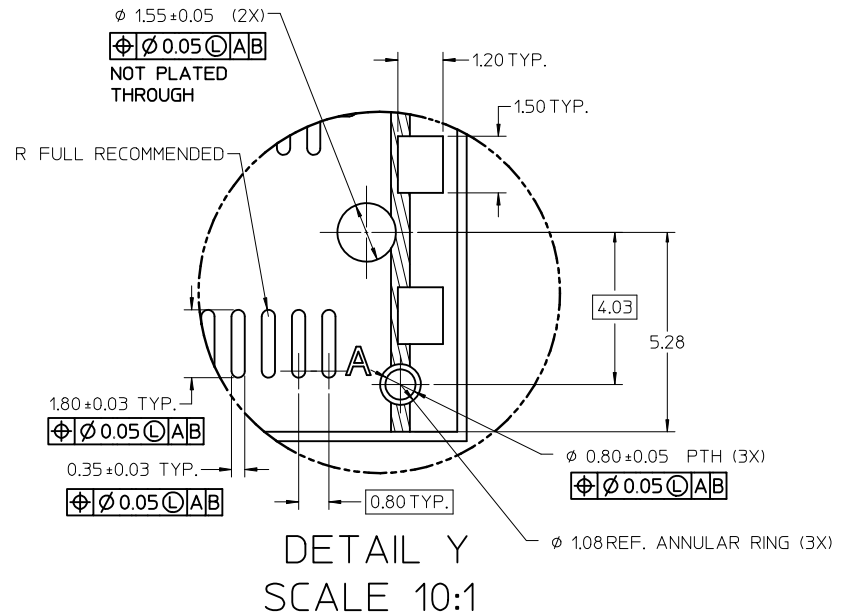
| CIRCUIT SIZE | PCB FOOTPRINT DIMENSIONS |                   |                   |                   |                  |                       |
|--------------|--------------------------|-------------------|-------------------|-------------------|------------------|-----------------------|
|              | PEG TO PEG               | FIRST TO LAST PAD | CENTERLINE TO PAD | CENTERLINE TO PAD | SHELL PEG TO PEG | SHELL FOOTPRINT WIDTH |
|              | DIM 'A'                  | DIM 'B'           | DIM 'C'           | DIM 'D'           | DIM 'E'          | DIM 'F'               |
| 26           | 12.00                    | 9.60              | 4.60              | 5.00              | 13.80            | 15.80                 |
| 36           | 16.00                    | 13.60             | 6.60              | 7.00              | 17.80            | 19.80                 |
| 50           | 21.60                    | 19.20             | 9.40              | 9.80              | 23.40            | 25.40                 |
| 68           | 28.80                    | 26.40             | 13.00             | 13.40             | 30.60            | 32.60                 |

| SEE SHEET 1<br>EC NO: UCP2010-1913<br>DRW:KLANG 2010/02/03<br>CHKD:JSWENSON 2010/03/24<br>APPR:MBANAKIS 2010/03/25<br>D2      | QUALITY SYMBOLS<br>▽=0<br>▽=0 | GENERAL TOLERANCES (UNLESS SPECIFIED)<br><table border="1" style="font-size: small;"> <tr> <th></th> <th>mm</th> <th>INCH</th> </tr> <tr> <td>4 PLACES</td> <td>± 0.13</td> <td>± 0.005</td> </tr> <tr> <td>3 PLACES</td> <td>± 0.25</td> <td>± 0.010</td> </tr> <tr> <td>2 PLACES</td> <td>± 0.38</td> <td>± 0.015</td> </tr> <tr> <td>1 PLACE</td> <td>± 0.51</td> <td>± 0.020</td> </tr> </table> ANGULAR ±1/2° |         | mm   | INCH | 4 PLACES | ± 0.13 | ± 0.005 | 3 PLACES | ± 0.25 | ± 0.010 | 2 PLACES | ± 0.38 | ± 0.015 | 1 PLACE | ± 0.51 | ± 0.020 | DIMENSION STYLE<br><b>MM ONLY</b><br>DRAWN BY: KLANG DATE: 02/09/05<br>CHECKED BY: JSWENSON DATE: 02/09/05<br>APPROVED BY: MBANAKIS DATE: 02/02/05 | SCALE: 5:1<br>DESIGN UNITS: METRIC<br>THIRD ANGLE PROJECTION | iPass™ IS A TRADEMARK OF MOLEX<br><b>I-PASS VERT CONNECTOR<br/>INTERNAL ASSY W/SHELL<br/>0.8MM PITCH I/O</b><br><b>MOLEX INCORPORATED</b> |
|---|-------------------------------|--|---------|--|------|----------|--------|---------|----------|--------|---------|----------|--------|---------|---------|--------|---------|--|--|---|
|   |                               | mm   | INCH    |  |      |          |        |         |          |        |         |          |        |         |         |        |         |  |  |   |
|   | 4 PLACES                      | ± 0.13   | ± 0.005 |  |      |          |        |         |          |        |         |          |        |         |         |        |         |  |  |   |
|   | 3 PLACES                      | ± 0.25   | ± 0.010 |  |      |          |        |         |          |        |         |          |        |         |         |        |         |  |  |   |
| 2 PLACES  | ± 0.38                        | ± 0.015  |         |  |      |          |        |         |          |        |         |          |        |         |         |        |         |  |  |   |
| 1 PLACE   | ± 0.51                        | ± 0.020  |         |  |      |          |        |         |          |        |         |          |        |         |         |        |         |  |  |   |
| DRAFT WHERE APPLICABLE MUST REMAIN WITHIN DIMENSIONS  |                               | MATERIAL NO. SEE CHART<br>SIZE: C  |         | DOCUMENT NO. SD-75784-001<br>SHEET NO. 9 OF 12 |      |          |        |         |          |        |         |          |        |         |         |        |         |  |  |   |
| THIS DRAWING CONTAINS INFORMATION THAT IS PROPRIETARY TO MOLEX INCORPORATED AND SHOULD NOT BE USED WITHOUT WRITTEN PERMISSION |                               |  |         |  |      |          |        |         |          |        |         |          |        |         |         |        |         |  |  |   |

# VERTICAL CONNECTOR WITH SMT SHELL PCB FOOT PRINT



36 CIRCUIT SHOWN



DETAIL Y  
SCALE 10:1

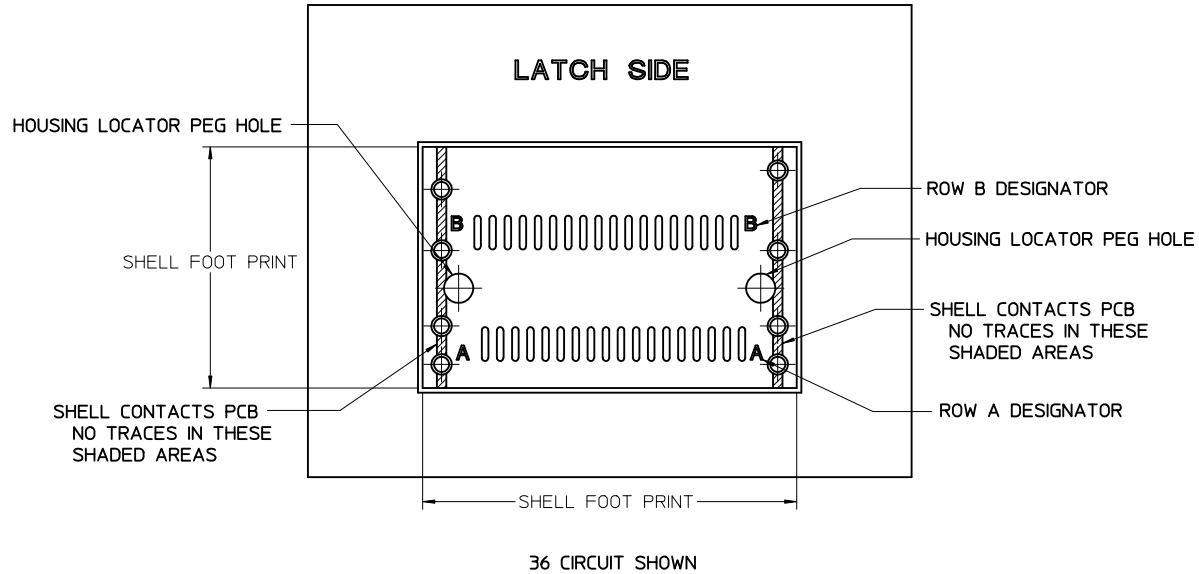
PEG TO PEG  
FIRST TO LAST PAD  
CENTERLINE TO PAD  
CENTERLINE TO PAD  
SHELL PEG TO PEG  
SHELL FOOTPRINT WIDTH  
CENTERLINE TO PAD EDGE

| CIRCUIT SIZE | DIM 'A' | DIM 'B' | DIM 'C' | DIM 'D' | DIM 'E' | DIM 'F' | DIM 'G' |
|--------------|---------|---------|---------|---------|---------|---------|---------|
| 26           | 12.00   | 9.60    | 4.60    | 5.00    | 13.80   | 16.80   | 6.825   |
| 36           | 16.00   | 13.60   | 6.60    | 7.00    | 17.80   | 20.80   | 8.825   |
| 50           | 21.60   | 19.20   | 9.40    | 9.80    | 23.40   | 26.40   | 11.625  |
| 68           | 28.80   | 26.40   | 13.00   | 13.40   | 30.60   | 33.60   | 15.225  |

| SEE SHEET 1<br>EC NO: UCP2010-1913<br>DRW:KLANG 2010/02/03<br>CHKD:JSWENSON 2010/03/24<br>APPR:MBANAKIS 2010/03/25<br>D2             | QUALITY SYMBOLS<br>▽=0<br>▽=0 | GENERAL TOLERANCES (UNLESS SPECIFIED)<br><table border="1" style="font-size: small;"> <tr> <th></th> <th>mm</th> <th>INCH</th> </tr> <tr> <td>4 PLACES</td> <td>± ---</td> <td>± ---</td> </tr> <tr> <td>3 PLACES</td> <td>± ---</td> <td>± ---</td> </tr> <tr> <td>2 PLACES</td> <td>± 0.13</td> <td>± ---</td> </tr> <tr> <td>1 PLACE</td> <td>± 0.25</td> <td>± ---</td> </tr> </table> ANGULAR ±1/2°<br><br>DRAFT WHERE APPLICABLE MUST REMAIN WITHIN DIMENSIONS |          | mm                    | INCH  | 4 PLACES | ± --- | ± --- | 3 PLACES | ± --- | ± --- | 2 PLACES | ± 0.13 | ± --- | 1 PLACE | ± 0.25 | ± --- | DIMENSION STYLE<br><b>MM ONLY</b> | SCALE<br><b>5:1</b> | DESIGN UNITS<br>METRIC | THIRD ANGLE PROJECTION |
|--|-------------------------------|--|----------|-----------------------|-------|----------|-------|-------|----------|-------|-------|----------|--------|-------|---------|--------|-------|-----------------------------------|---------------------|------------------------|------------------------|
|  |                               |  |          | mm                    | INCH  |          |       |       |          |       |       |          |        |       |         |        |       |                                   |                     |                        |                        |
|  |                               |  | 4 PLACES | ± ---                 | ± --- |          |       |       |          |       |       |          |        |       |         |        |       |                                   |                     |                        |                        |
|  |                               |  | 3 PLACES | ± ---                 | ± --- |          |       |       |          |       |       |          |        |       |         |        |       |                                   |                     |                        |                        |
| 2 PLACES   | ± 0.13                        | ± ---  |          |                       |       |          |       |       |          |       |       |          |        |       |         |        |       |                                   |                     |                        |                        |
| 1 PLACE  | ± 0.25                        | ± ---  |          |                       |       |          |       |       |          |       |       |          |        |       |         |        |       |                                   |                     |                        |                        |
| DRAWN BY: KLANG DATE: 02/09/05<br>CHECKED BY: JSWENSON DATE: 02/09/05<br>APPROVED BY: MBANAKIS DATE: 02/02/05                        |                               | TITLE<br><b>I-PASS VERT CONNECTOR<br/>INTERNAL ASSY W/SHELL<br/>0.8MM PITCH I/O</b>  |          |                       |       |          |       |       |          |       |       |          |        |       |         |        |       |                                   |                     |                        |                        |
| MATERIAL NO.<br><b>SEE CHART</b>   |                               | MOLEX INCORPORATED   |          |                       |       |          |       |       |          |       |       |          |        |       |         |        |       |                                   |                     |                        |                        |
| SIZE C THIS DRAWING CONTAINS INFORMATION THAT IS PROPRIETARY TO MOLEX INCORPORATED AND SHOULD NOT BE USED WITHOUT WRITTEN PERMISSION |                               | DOCUMENT NO.<br><b>SD-75784-001</b>  |          | SHEET NO.<br>10 OF 12 |       |          |       |       |          |       |       |          |        |       |         |        |       |                                   |                     |                        |                        |

iPass™ IS A TRADEMARK OF MOLEX

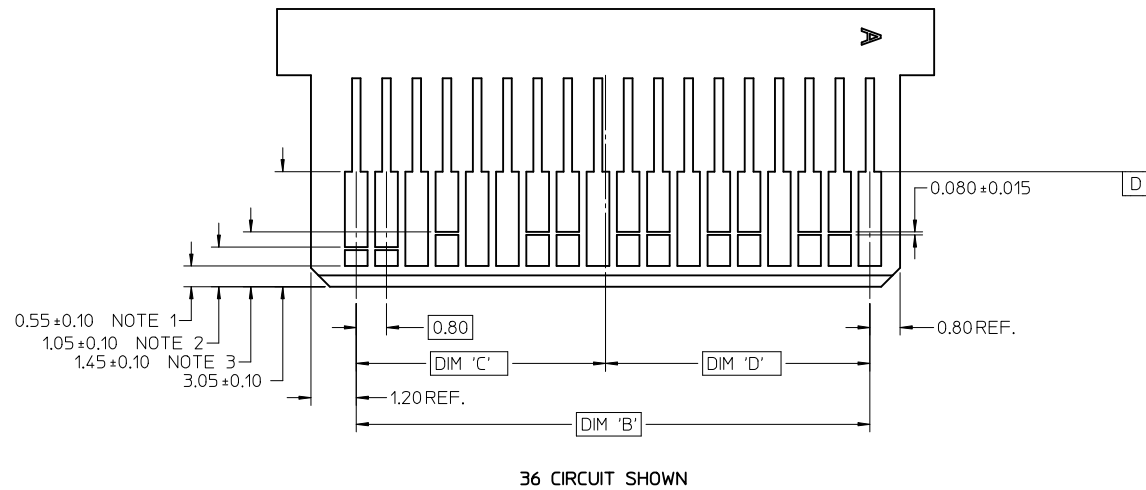
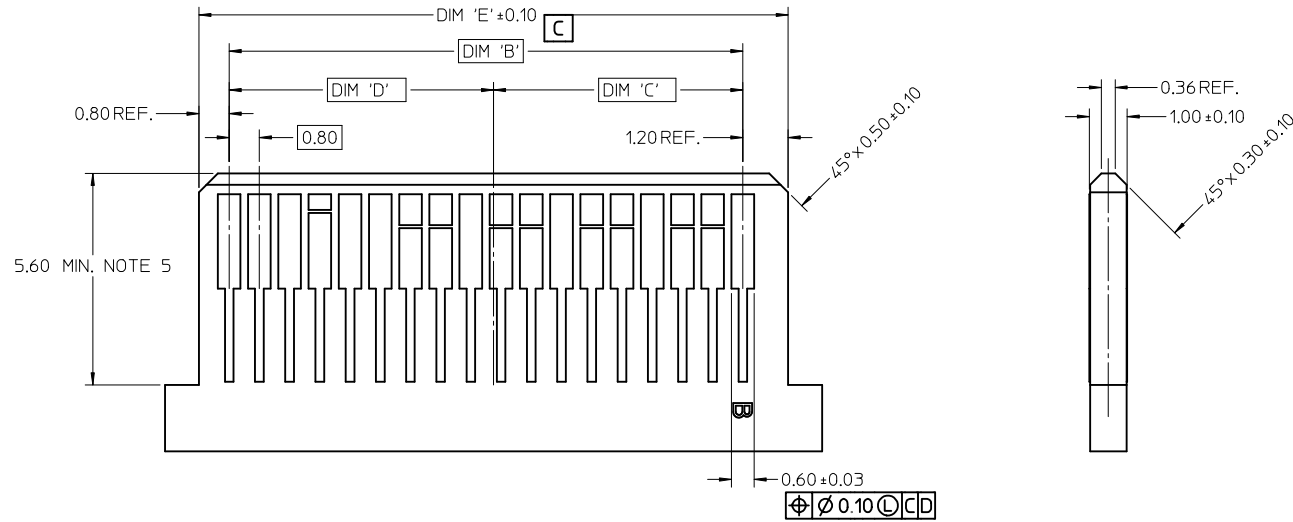
# VERTICAL CONNECTOR WITH SHELL PCB FOOT PRINT DESCRIPTIONS



iPass™ IS A TRADEMARK OF MOLEX

|  |                               |  |                      |                                   |                                     |                               |   |  |
|--|-------------------------------|--|----------------------|-----------------------------------|-------------------------------------|-------------------------------|---|--|
| SEE SHEET 1<br>EC NO: UCP2010-1913<br>DRW:KLANG 2010/02/03<br>CHKD:JSWENSON 2010/03/24<br>APPR:MBANAKIS 2010/03/25               | QUALITY SYMBOLS<br>▼=0<br>▽=0 | GENERAL TOLERANCES (UNLESS SPECIFIED)                      |                      | DIMENSION STYLE<br><b>MM ONLY</b> | SCALE<br><b>5:1</b>                 | DESIGN UNITS<br><b>METRIC</b> | THIRD ANGLE PROJECTION  |  |
|  |                               |  |                      |                                   | DRAWN BY<br>KLANG                   | DATE<br>02/09/05              | TITLE<br><b>I-PASS VERT CONNECTOR<br/>INTERNAL ASSY W/SHELL<br/>0.8MM PITCH I/O</b> |  |
|  |                               | 4 PLACES ± --- ± ---                                       | 3 PLACES ± --- ± --- | 2 PLACES ± 0.13 ± ---             | CHECKED BY<br>JSWENSON              | DATE<br>02/09/05              |   |  |
|  |                               | 1 PLACE ± 0.25 ± ---                                       | ANGULAR ± 1/2°       |                                   | APPROVED BY<br>MBANAKIS             | DATE<br>02/02/05              | MOLEX MOLEX INCORPORATED  |  |
| D2   | REV                           | DRAFT WHERE APPLICABLE<br>MUST REMAIN<br>WITHIN DIMENSIONS |                      | MATERIAL NO.<br><b>SEE CHART</b>  | DOCUMENT NO.<br><b>SD-75784-001</b> | SHEET NO.<br>11 OF 12         |   |  |
| THIS DRAWING CONTAINS INFORMATION THAT IS PROPRIETARY TO MOLEX<br>INCORPORATED AND SHOULD NOT BE USED WITHOUT WRITTEN PERMISSION |                               |  |                      |                                   |                                     |                               |   |  |

# MATING INTERFACE (FOR REFERENCE ONLY)



**NOTES:**

- PAD CONFIGURATION FOR FIRST MATE.
- PAD CONFIGURATION FOR SECOND MATE.
- PAD CONFIGURATION FOR THIRD MATE. (HIGH SPEED SIGNALS)
- FOR PIN ASSIGNMENTS AND MATING SEQUENCE (1ST, 2ND, 3RD), SEE APPLICABLE SPECIFICATION.
- MINIMUM STEP REQUIRED IF PCB MADE WIDER THAN TOUNGE.

iPass™ IS A TRADEMARK OF MOLEX

| CIRCUIT SIZE | TERM/SIDE 'N' | DIM 'B' | DIM 'C' | DIM 'D' | DIM 'E' |
|--------------|---------------|---------|---------|---------|---------|
| 26           | 13            | 9.60    | 4.60    | 5.00    | 11.60   |
| 36           | 18            | 13.60   | 6.60    | 7.00    | 15.60   |
| 50           | 25            | 19.20   | 9.40    | 9.80    | 21.20   |
| 68           | 34            | 26.40   | 13.00   | 13.40   | 28.40   |

|  |                 |
|--|-----------------|
| SEE SHEET 1<br>EC NO: UCP2010-1913<br>DRW:KLANG 2010/02/03<br>CHKD:JSWENSON 2010/03/24<br>APPR:MBANAKIS 2010/03/25 | QUALITY SYMBOLS |
|  | ▼=0<br>▽=0      |

|  |         |
|--|---------|
| GENERAL TOLERANCES (UNLESS SPECIFIED)                |         |
|  | mm INCH |
| 4 PLACES ± ---                                       | ± ---   |
| 3 PLACES ± ---                                       | ± ---   |
| 2 PLACES ± 0.13                                      | ± ---   |
| 1 PLACE ± 0.25                                       | ± ---   |
| ANGULAR ±1/2°  |         |
| DRAFT WHERE APPLICABLE MUST REMAIN WITHIN DIMENSIONS |         |

|                                   |          |
|-----------------------------------|----------|
| DIMENSION STYLE<br><b>MM ONLY</b> |          |
| DRAWN BY                          | DATE     |
| CHECKED BY                        | DATE     |
| APPROVED BY                       | DATE     |
| MBANAKIS                          | 02/02/05 |
| MATERIAL NO.                      |          |
| SEE CHART                         |          |

|   |                        |                        |
|---|------------------------|------------------------|
| SCALE<br>10:1   | DESIGN UNITS<br>METRIC | THIRD ANGLE PROJECTION |
| TITLE<br>I-PASS VERT CONNECTOR<br>INTERNAL ASSY W/SHELL<br>0.8MM PITCH I/O  |                        |                        |
| MOLEX MOLEX INCORPORATED  |                        | SHEET NO.<br>12 OF 12  |
| DOCUMENT NO.<br>SD-75784-001  |                        |                        |
| THIS DRAWING CONTAINS INFORMATION THAT IS PROPRIETARY TO MOLEX INCORPORATED AND SHOULD NOT BE USED WITHOUT WRITTEN PERMISSION |                        |                        |