

PLEASE CHECK WWW.MOLEX.COM FOR LATEST PART INFORMATION

Part Number: [0528851274](#)
Status: **Active**
Description: 0.635mm (.025") Pitch SlimStack™ Receptacle, Surface Mount, Dual Row, Vertical Stacking, 5.00 to 10.00mm (.197 to .394") Stacking Heights, Embossed Tape with Cover Packaging, 120 Circuits, Lead-free

Documents:

[3D Model](#) [Product Specification PS-52760-015 \(PDF\)](#)
[Drawing \(PDF\)](#) [RoHS Certificate of Compliance \(PDF\)](#)

Agency Certification

UL E29179

General

Product Family PCB Receptacles
 Series [52885](#)
 Application Board-to-Board
 Comments Stacking-Type
 Product Name SlimStack™

Physical

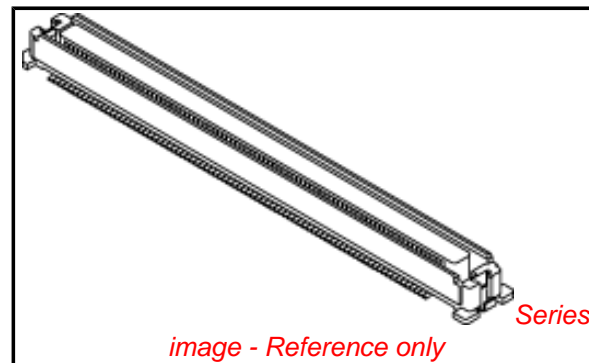
Circuits (Loaded) 120
 Color - Resin Natural
 Durability (mating cycles max) 50
 Flammability 94V-0
 Glow-Wire Compliant No
 Mated Height (mm) 10.00 mm, 5.00 mm, 6.00 mm, 7.00 mm, 8.00 mm, 9.00 mm
 Material - Metal Phosphor Bronze
 Material - Plating Mating Gold
 Material - Plating Termination Tin
 Material - Resin High Temperature Thermoplastic
 Number of Rows 2
 Orientation Vertical
 PCB Locator Yes
 PCB Retention Yes
 Packaging Type Embossed Tape on Reel
 Pitch - Mating Interface (in) 0.025 In
 Pitch - Mating Interface (mm) 0.64 mm
 Plating min: Mating (µin) 10
 Plating min: Mating (µm) 0.25
 Plating min: Termination (µin) 80
 Plating min: Termination (µm) 2
 Polarized to PCB Yes
 Robotic Placement Pick and Place Cap
 Surface Mount Compatible (SMC) N/A
 Temperature Range - Operating -55°C to +85°C
 Termination Interface: Style Surface Mount

Electrical

Current - Maximum per Contact 0.5A
 Voltage - Maximum 100V

Material Info

Reference - Drawing Numbers



EU RoHS

ELV and RoHS Compliant
REACH SVHC
 Not Reviewed
Halogen-Free Status
 Not Reviewed

China RoHS



Need more information on product environmental compliance?

Email productcompliance@molex.com
 For a multiple part number RoHS Certificate of Compliance, [click here](#)

Please visit the [Contact Us](#) section for any non-product compliance questions.

Search Parts in this Series

[52885Series](#)

Mates With

[55091](#) , [53649](#) , [53643](#) , [53475](#) , [53627](#) , [53553](#) , [53552](#) , [53647](#) , [53551](#) , [53481](#) , [53625](#)

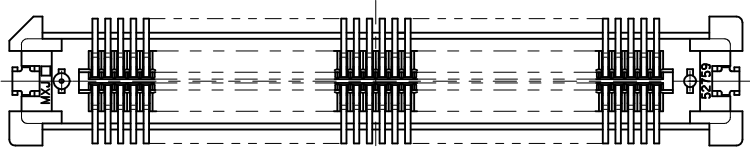
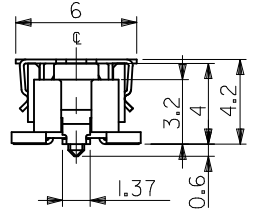
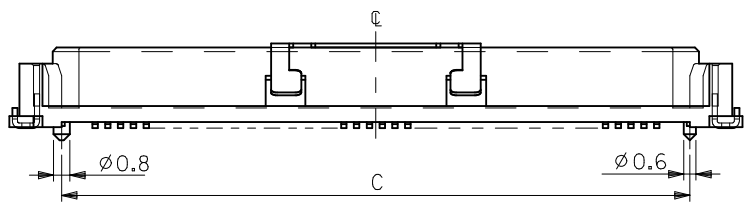
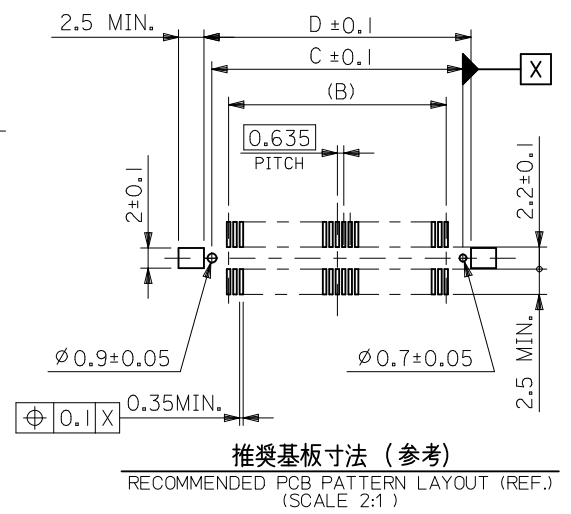
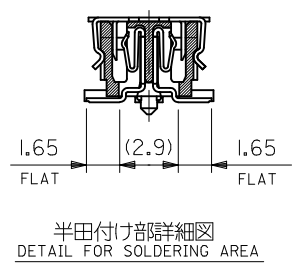
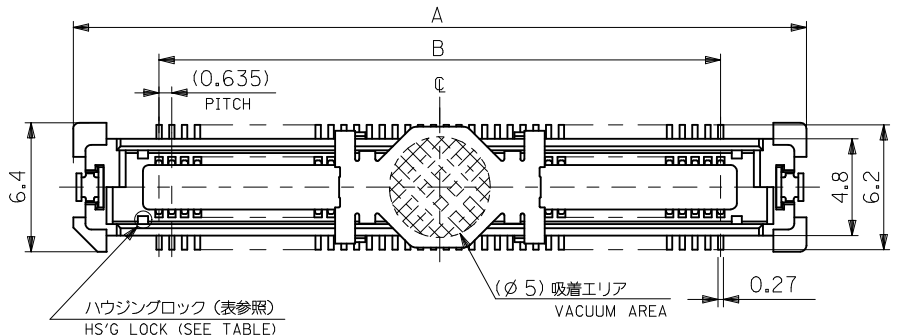
Product Specification

Sales Drawing

PS-52760-015, RPS-52760-017, RPS-52760-018,
RPS-52760-020, RPS-52760-021, RPS-52760-029,
RPS-52885-007, RPS-52885-008, RPS-52885-009
SD-52885-003, SD-52885-004

This document was generated on 04/16/2010

PLEASE CHECK WWW.MOLEX.COM FOR LATEST PART INFORMATION



注) NOTES

1. 材質 MATERIAL
 ハウジング: ガラス入りLCP、白色、UL94V-0
 HOUSING: G.F.LCP, WHITE, UL94V-0
 ターミナル: 銅合金 (t = 0.2)
 TERMINAL: COPPER ALLOY
 吸着カバー: ステンレス (t = 0.2)
 VACUUM COVER: STAINLESS STEEL
 補強金具: 銅合金 (t = 0.25)
 FITTING NAIL: COPPER ALLOY

2. メッキ仕様 PLATING
 ターミナル: 接点部: 金メッキ 0.25 マイクロメートル以上
 CONTACT AREA: GOLD 0.25 MICROMETER MINIMUM
 半田付け部: 錫メッキ 1.0 マイクロメートル以上
 SOLDER TAIL AREA: TIN 1.0 MICROMETER MINIMUM
 下地メッキ: ニッケルメッキ 1.5 マイクロメートル以上
 UNDER-PLATING: NICKEL 1.5 MICROMETER MINIMUM
 補強金具: 錫メッキ 1.0 マイクロメートル以上
 FITTING NAIL: TIN 1.0 MICROMETER MINIMUM
 下地メッキ: ニッケルメッキ 1.0 マイクロメートル以上
 UNDER-PLATING: NICKEL 1.0 MICROMETER MINIMUM

3. テールのバラツキ寸法 TAIL COPLANARITY
 240極以下品のテール平坦度は0.1MAX.、
 240極品のテール平坦度は0.12MAX.とする。
 TAILS COPLANARITY TO BE 0.1MAX.
 IN 240 CIRCUITS, TAILS COPLANARITY TO BE 0.12MAX.

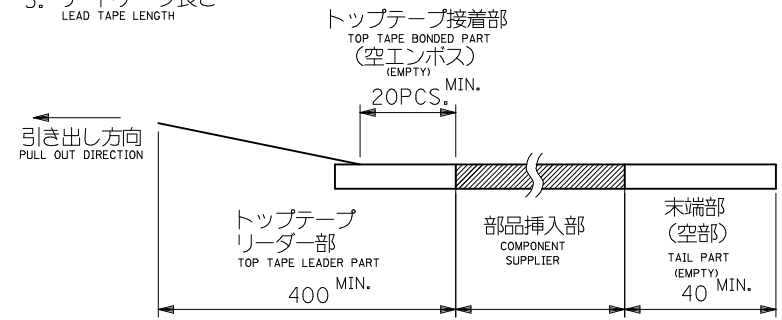
4. エンボス対応済みの極数については、SD-52885-004を参照下さい。
 FOR THE EMBOSSED PACKAGE PRODUCTS, SEE SD-52885-004.

無し NO	80.47	78.87	75.565	84.07	52885-2474	240
	67.77	66.17	62.865	71.37	52885-2074	200
	55.07	53.47	50.165	58.67	52885-1674	160
	48.72	47.12	43.815	52.32	52885-1474	140
	42.37	40.77	37.465	45.97	52885-1274	120
	36.02	34.42	31.115	39.62	52885-1074	100
	32.85	31.25	27.94	36.45	↑ -0974	90
29.67	28.07	24.765	33.27	↑ -0874	80	
有り YES	26.5	24.9	21.59	30.1	↑ -0774	70
	23.32	21.72	18.415	26.92	↑ -0674	60
	20.15	18.55	15.24	23.75	↑ -0574	50
	16.97	15.37	12.065	20.57	↑ -0474	40
ハウジングロック HS'G LOCK	13.8	12.2	8.89	17.4	↓ -0374	30
	10.62	9.02	5.715	14.22	↓ -0274	20
CONNECTORS SERIES No.					52885-***72	極数 CKT. NO.

REVISED EC NO: J2010-2458 DRWN: KAIHO 2010/06/04 CHKD: T. JO 2010/06/10 APPR: MSASAO 2010/06/11	GENERAL TOLERANCES (UNLESS SPECIFIED)		DIMENSION STYLE MM ONLY		SCALE ---	DESIGN UNITS METRIC	THIRD ANGLE PROJECTION
	10 UNDER	± 0.2	DRAWN BY M. NAGATA	DATE 2004/02/25	TITLE 0.635 PITCH B TO B S/T REC. HSG ASSY -LEAD FREE-		
	10 OVER 30 UNDER	± 0.25	CHECKED BY K. TOJO	DATE 2004/02/25	MOLEX INCORPORATED		
	30 OVER	± 0.3	APPROVED BY M. SASAO	DATE 2004/02/25	DOCUMENT NO. SD-52885-003		
ANGULAR ± 3 °		MATERIAL NO. SEE CHART		SHEET NO. 1 OF 1		THIS DRAWING CONTAINS INFORMATION THAT IS PROPRIETARY TO MOLEX INCORPORATED AND SHOULD NOT BE USED WITHOUT WRITTEN PERMISSION	
DRAFT WHERE APPLICABLE MUST REMAIN WITHIN DIMENSIONS							

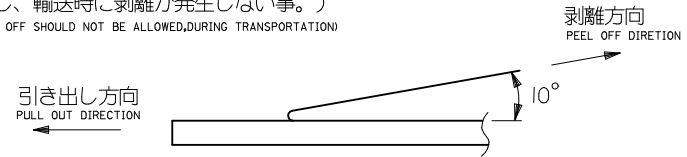
注)
NOTES

- 製品番号 52885-**72 の詳細寸法については SD-52885-003 を参照下さい。
IN THE PACKAGE , PART NO. 52885-**72 DETAILED DIMENSIONS , SEE SD-52885-003
- 梱包数量 : 1000個/リール
NUMBER OF CONNECTORS : 1000 PCS/REEL
- リードテープ長さ
LEAD TAPE LENGTH

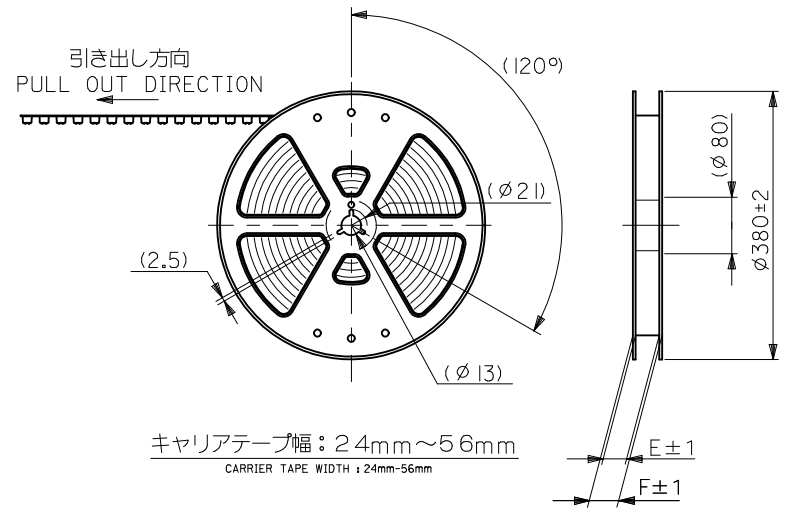


- トップテープの剥離強度 (剥離方向は下図参照)
PEELING OFF FORCE OF TOP TAPE (PEELING DIRECTION AS SHOWN IN FOLLOWING FIG.)
0.1~0.3N {10~130gf}

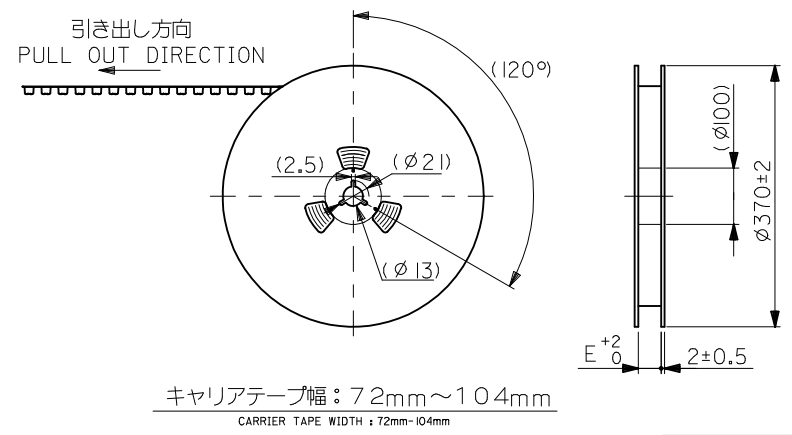
尚、本規格値は、出荷時に適用。
THIS REQUIREMENT SHOULD BE APPLIED AT SHIPMENT
(但し、輸送時に剥離が発生しない事。)
(PEEL OFF SHOULD NOT BE ALLOWED, DURING TRANSPORTATION)



- 材料
MATERIAL
キャリアテープ : ポリプロピレン (PP)
CARRIER TAPE : POLYPROPYLENE (PP)
トップテープ : PET, PE, PEF
TOP TAPE : PET, PE, PEF
リール : キャリアテープ幅 24mm~56mm : ポリスチレン
REEL : CARRIER TAPE WIDTH 24mm-56mm : POLYSTYRENE
キャリアテープ幅 72mm~104mm : 紙
CARRIER TAPE WIDTH 72mm-104mm : CARD BOARD

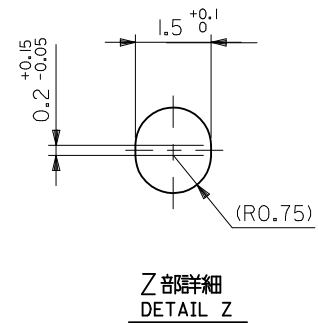
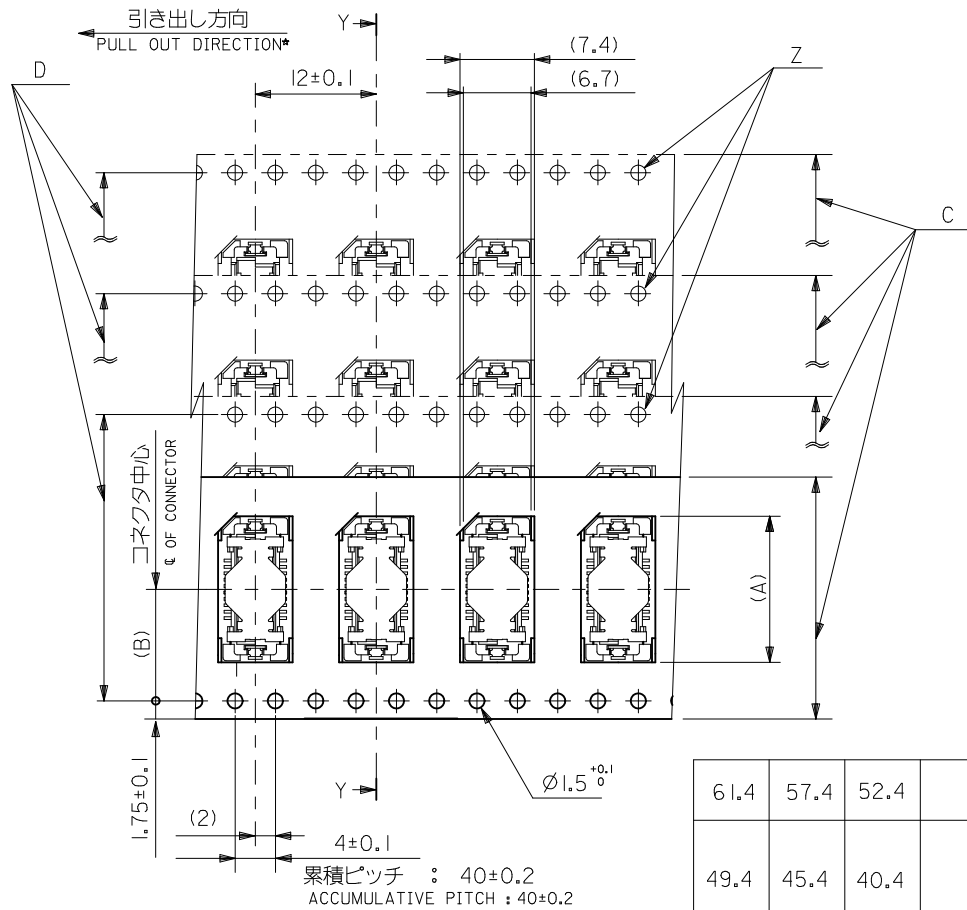
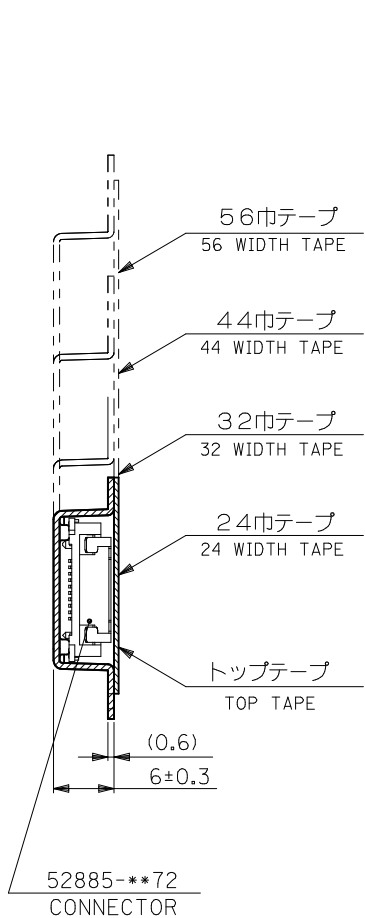


キャリアテープ幅 : 24mm~56mm
CARRIER TAPE WIDTH : 24mm-56mm



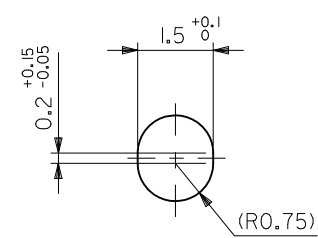
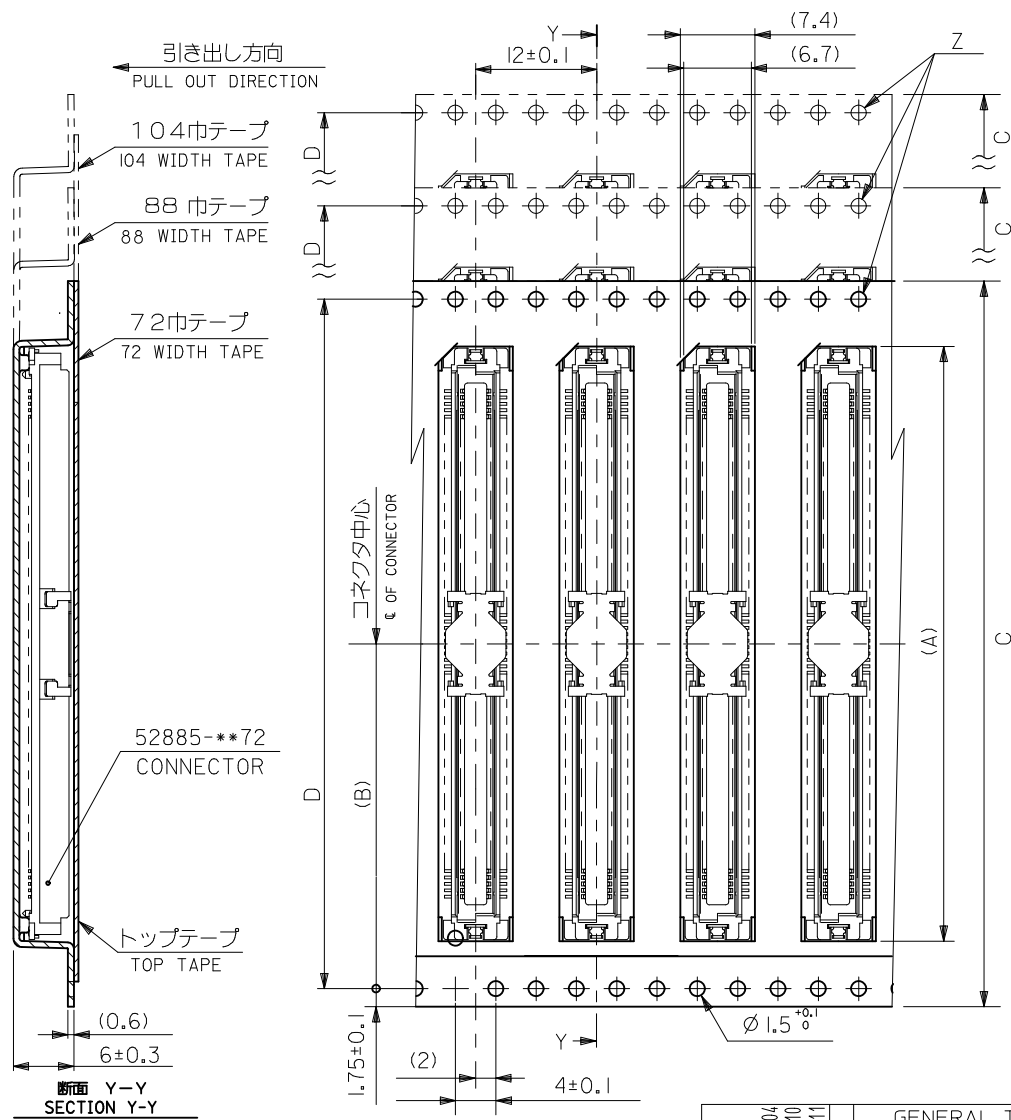
キャリアテープ幅 : 72mm~104mm
CARRIER TAPE WIDTH : 72mm-104mm

REVISED EC NO: J2010-2458 DRWN: KAIHO CHKD: K. TOJO APPR: MSASAO	DESCRIPTION 2010/06/04 2010/06/10 2010/06/11	GENERAL TOLERANCES (UNLESS SPECIFIED)		DIMENSION STYLE MM ONLY		CONNECTOR SERIES No. 52885-**72		
		10 UNDER	± ---	DRAWN BY M. NAGATA	DATE 2004/02/25	SCALE ---	DESIGN UNITS METRIC	THIRD ANGLE PROJECTION
		10 OVER 30 UNDER	± ---	CHECKED BY K. TOJO	DATE 2004/02/25	TITLE 52885-**72 TAPING PACKAGE -LEAD FREE-		
		30 OVER	± ---	APPROVED BY M. SASAO	DATE 2004/02/25	MOLEX MOLEX INCORPORATED		
REV	DESCRIPTION	ANGULAR	± --- °	MATERIAL NO. SEE TABLE	DOCUMENT NO. SD-52885-004	SHEET NO. 1 OF 3		
		DRAFT WHERE APPLICABLE MUST REMAIN WITHIN DIMENSIONS		THIS DRAWING CONTAINS INFORMATION THAT IS PROPRIETARY TO MOLEX INCORPORATED AND SHOULD NOT BE USED WITHOUT WRITTEN PERMISSION				



61.4	57.4	52.4	56 ^{+0.3}	26.2	39.9	52885-1074	100
					36.8	-0974	90
49.4	45.4	40.4	44 ^{+0.3}	20.2	33.6	-0874	80
					30.4	-0774	70
					27.2	-0674	60
					24.1	-0574	50
37.4	33.4	28.4	32 ^{+0.3}	14.2	20.9	-0474	40
					17.7	-0374	30
29.4	25.4	—	24 ^{+0.3}	11.5	14.5	52885-0274	20
F	E	D	C	キャリアテープ幅 CARRIER TAPE WIDTH	(B)	(A)	MATERIAL NO. 極致 CKT.NO.

REVISED EC NO: J2010-2458 DRWN:TKAIHO CHKD:K.TOJO APPR:MSASAO 2010/06/04 2010/06/10 2010/06/11	GENERAL TOLERANCES (UNLESS SPECIFIED)		DIMENSION STYLE MM ONLY		CONNECTOR SERIES No. 52885-***72
	10 UNDER	± ---	DRAWN BY M. NAGATA	DATE 2004/02/25	SCALE ---
	10 OVER 30 UNDER	± ---	CHECKED BY K. TOJO	DATE 2004/02/25	DESIGN UNITS METRIC
	30 OVER	± ---	APPROVED BY M. SASAO	DATE 2004/02/25	THIRD ANGLE PROJECTION
	ANGULAR ± --- °	DRAFT WHERE APPLICABLE MUST REMAIN WITHIN DIMENSIONS		MOLEX INCORPORATED SD-52885-004 SHEET NO. 2 OF 3	
		SIZE A3	THIS DRAWING CONTAINS INFORMATION THAT IS PROPRIETARY TO MOLEX INCORPORATED AND SHOULD NOT BE USED WITHOUT WRITTEN PERMISSION		



104.4	100.4	104±0.3	50.2	84.4	52885-2474	240
88.4	84.4	88±0.3	42.2	71.7	52885-2074	200
72.4	68.4	72 ^{+0.3}	34.2	59.0	52885-1674	160
				52.6	52885-1474	140
				46.3	52885-1274	120
E	D	C	キャリアテープ幅 CARRIER TAPE WIDTH	(B)	(A)	材料番号 MATERIAL NO.

累積ピッチ : 40±0.2
ACCUMULATIVE PITCH : 40±0.2

REVISED EC NO: J2010-2458 DRWN:TKAIHO 2010/06/04 CHKDK:TOJO 2010/06/10 APPR:MSASAO 2010/06/11	GENERAL TOLERANCES (UNLESS SPECIFIED)		DIMENSION STYLE MM ONLY		CONNECTOR SERIES No. 52885-**72	
	10 UNDER	±---	DRAWN BY M. NAGATA	DATE 2004/02/25	SCALE ---	DESIGN UNITS METRIC
	10 OVER 30 UNDER	±---	CHECKED BY K. TOJO	DATE 2004/02/25	TITLE 52885-**72 TAPING PACKAGE -LEAD FREE-	
	30 OVER	±---	APPROVED BY M. SASAO	DATE 2004/02/25	MOLEX INCORPORATED	
ANGULAR ±---°		DRAFT WHERE APPLICABLE MUST REMAIN WITHIN DIMENSIONS		MATERIAL NO. SEE TABLE		DOCUMENT NO. SD-52885-004
SIZE A3		THIS DRAWING CONTAINS INFORMATION THAT IS PROPRIETARY TO MOLEX INCORPORATED AND SHOULD NOT BE USED WITHOUT WRITTEN PERMISSION				SHEET NO. 3 OF 3