

PLEASE CHECK WWW.MOLEX.COM FOR LATEST PART INFORMATION

Part Number: **5016390310**
Status: **Active**
Overview: [slimstack_mm016_pitch](#)
Description: 0.40mm (.016") Pitch SlimStack™ Board-to-Board Plug, SMT, Dual Row, Vertical Stacking, 1.70mm (.067") Stacking Height, With Solder Tabs, 30 Circuits

Documents:

[3D Model](#) [Product Specification PS-501635-001 \(PDF\)](#)
[Drawing \(PDF\)](#) [RoHS Certificate of Compliance \(PDF\)](#)

General

Product Family	PCB Headers
Series	501639
Application	Board-to-Board
Overview	slimstack_mm016_pitch
Product Name	SlimStack™

Physical

Breakaway	No
Circuits (Loaded)	30
Color - Resin	Black
Durability (mating cycles max)	30
Glow-Wire Compliant	No
Lock to Mating Part	Yes
Mated Height (in)	0.067 In
Mated Height (mm)	1.70 mm
Material - Metal	Brass, Phosphor Bronze
Material - Plating Mating	Gold
Material - Plating Termination	Gold
Number of Rows	2
Orientation	Vertical
PCB Locator	No
PCB Retention	Yes
Packaging Type	Embossed Tape on Reel
Pitch - Mating Interface (in)	0.016 In
Pitch - Mating Interface (mm)	0.40 mm
Pitch - Term. Interface (in)	0.016 In
Pitch - Term. Interface (mm)	0.40 mm
Polarized to Mating Part	No
Polarized to PCB	No
Stackable	No
Surface Mount Compatible (SMC)	Yes
Temperature Range - Operating	-25°C to +85°C
Termination Interface: Style	Surface Mount

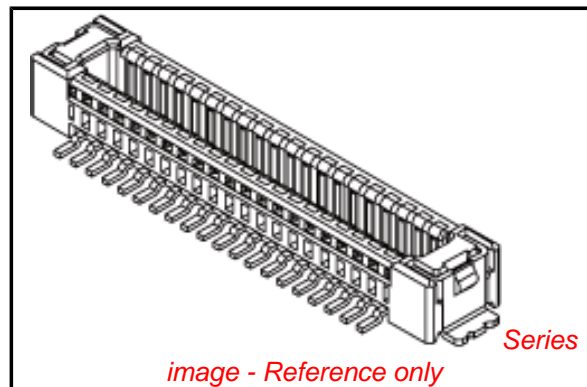
Electrical

Current - Maximum per Contact	0.3A
Voltage - Maximum	50V AC (RMS)/DC

Material Info

Reference - Drawing Numbers

Packaging Specification	SPK-501639-001
Product Specification	PS-501635-001, RPS-501635-001, RPS-501635-006
Sales Drawing	SD-501639-001, SD-501639-002



EU RoHS

ELV and RoHS Compliant
REACH SVHC
 Not Reviewed
Halogen-Free
Status
Not Reviewed

China RoHS



Need more information on product environmental compliance?

Email productcompliance@molex.com
 For a multiple part number RoHS Certificate of Compliance, [click here](#)

Please visit the [Contact Us](#) section for any non-product compliance questions.

Search Parts in this Series

[501639Series](#)

Mates With

[501635 PCB Receptacle](#)

This document was generated on 05/26/2010

PLEASE CHECK WWW.MOLEX.COM FOR LATEST PART INFORMATION

注記 NOTES

1. 使用材料 MATERIAL

ウェハ-: 液晶ポリマー (LCP) ガラス充填 UL94V-0 (黒)
 WAFER: LIQUID CRYSTAL POLYMER (GLASS FILLED)
 UL94V-0 (COLOR:BLACK)

ピン: 黄銅 (t=0.1)
 PIN: BRASS (t=0.1)

金具: りん青銅 (t=0.12)
 FITTING NAIL: PHOSPHOR BRONZE (t=0.12)

2. メッキ仕様 PLATING

ピン PIN

金メッキ 0.2マイクロメートル以上 (コンタクト部)
 GOLD 0.2 MICROMETER MINIMUM (CONTACT AREA)

金メッキ 0.4マイクロメートル以下 (テール部)
 GOLD 0.4 MICROMETER MAXIMUM (TAIL AREA)

下地メッキ: ニッケルメッキ 1.5 マイクロメートル以上
 UNDER PLATING: NICKEL 1.5 MICROMETER MINIMUM

金具 FITTING NAIL

半田付け処理 (金・パラジウムコート)
 SOLDERABILITY IMPROVEMENT COAT (Au & Pd-Ni COAT)

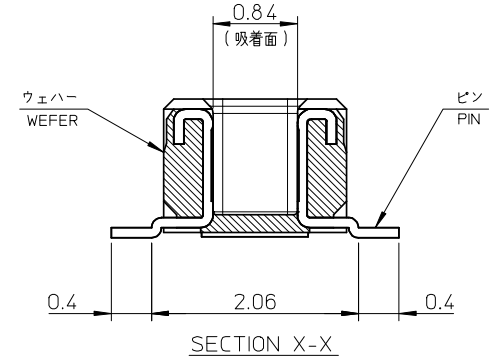
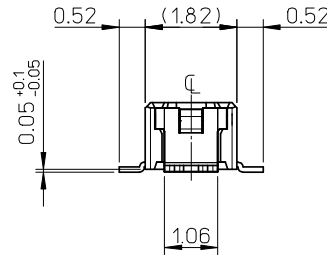
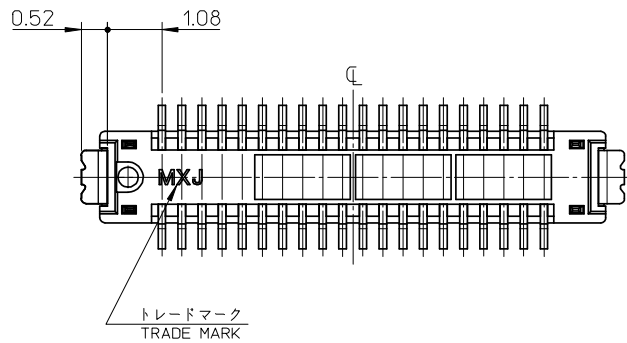
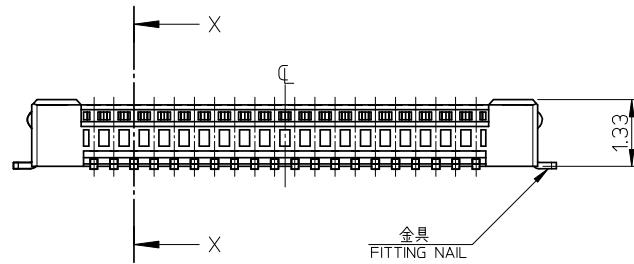
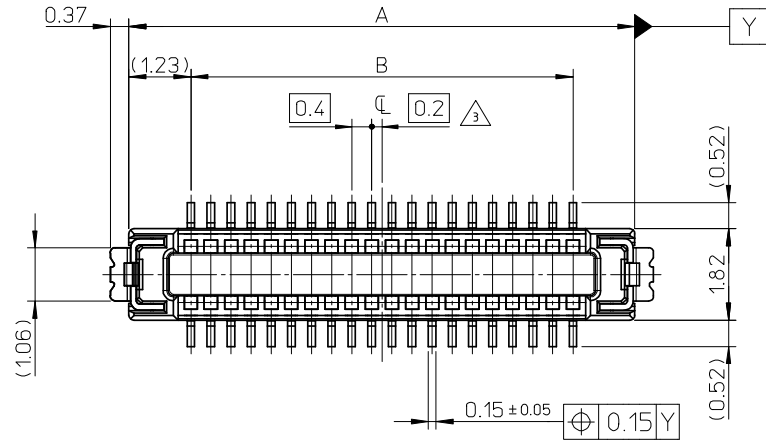
下地メッキ: ニッケルメッキ 1.0 マイクロメートル以上
 UNDER PLATING: NICKEL 1.0 MICROMETER MINIMUM

△ (全極数/2) = 偶数の場合に適用。
 APPLY ODR (CIRCUIT/2)=EVEN.

4. 嵌合相手: 501635 シリーズ
 MATE WITH: 501635 SERIES.

5. テール平坦度は、0.08 以下
 TAIL COPLANARITY TO BE 0.08 MAXIMUM
 テール及び金具の平坦度は、0.1 以下
 TAIL AND FITTING NAIL COPLANARITY TO BE 0.1 MAXIMUM

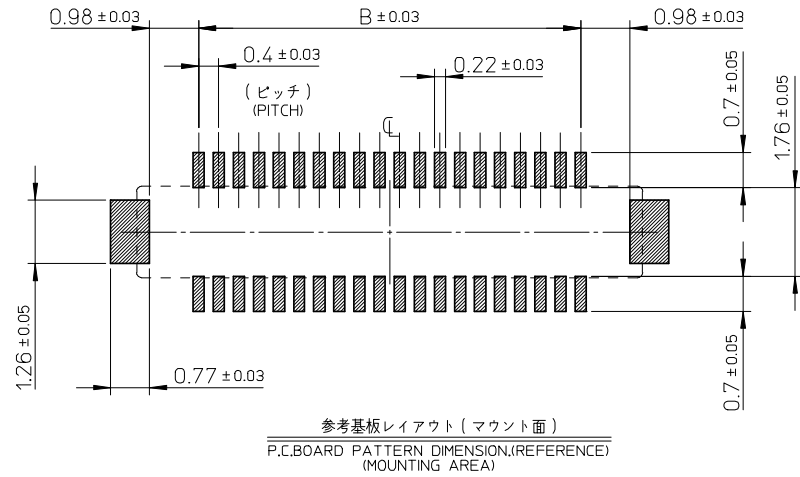
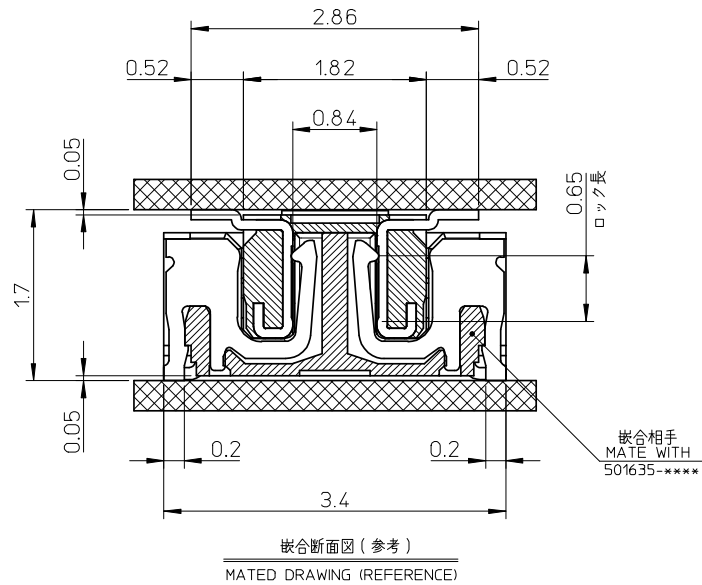
6. ELV AND RoHS COMPLIANT.



11.6	14.06	501639-0610	501639-0619	60
9.6	12.06	501639-0510	501639-0519	50
7.6	10.06	501639-0410	501639-0419	40
5.6	8.06	501639-0310	501639-0319	30
B	A	EMBOSSED TAPE	MATERIAL No.	CKT.
		ORDER No.		

MODEL No. : 501639-**19

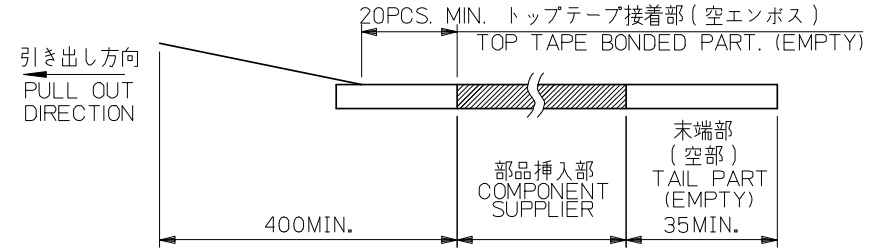
REVISED EC NO: J2009-0386 DRWN: YAQYAGI 2008/08/20 CHKD: HYAJIMA 2008/08/20 APPR: NUKITA 2008/08/20	DESCRIPTION	GENERAL TOLERANCES (UNLESS SPECIFIED)		DIMENSION STYLE	SCALE	DESIGN UNITS	THIRD ANGLE PROJECTION	
				MM ONLY	10:1	METRIC		
		10 UNDER	± 0.2	DRAWN BY	DATE	TITLE		
		10 OVER 30 UNDER	± 0.25	RTAKEUCH	2005/10/27	0.4 B-TO-B CONN. HGT=1.7 PLUG ASSY [OVERMOLD]		
30 OVER	± 0.3	CHECKED BY	DATE					
		THIRATA	2005/10/27	APPROVED BY	DATE	MOLEX INCORPORATED		
		MSASAO	2005/10/27	MATERIAL NO.	DOCUMENT NO.	SHEET NO.		
		ANGULAR ±3 °	DRAFT WHERE APPLICABLE MUST REMAIN WITHIN DIMENSIONS	SEE TABLE		SD-501639-001		
				SIZE	THIS DRAWING CONTAINS INFORMATION THAT IS PROPRIETARY TO MOLEX INCORPORATED AND SHOULD NOT BE USED WITHOUT WRITTEN PERMISSION			
				A3				



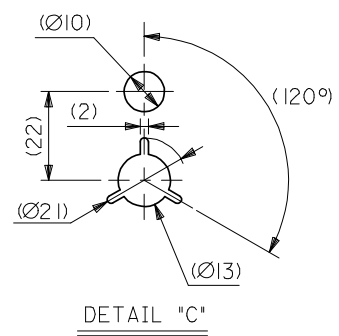
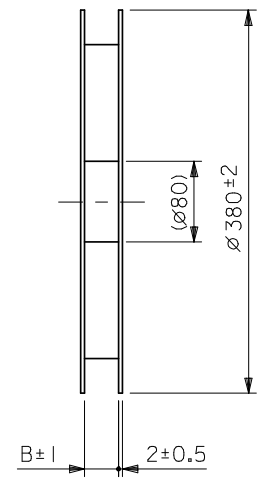
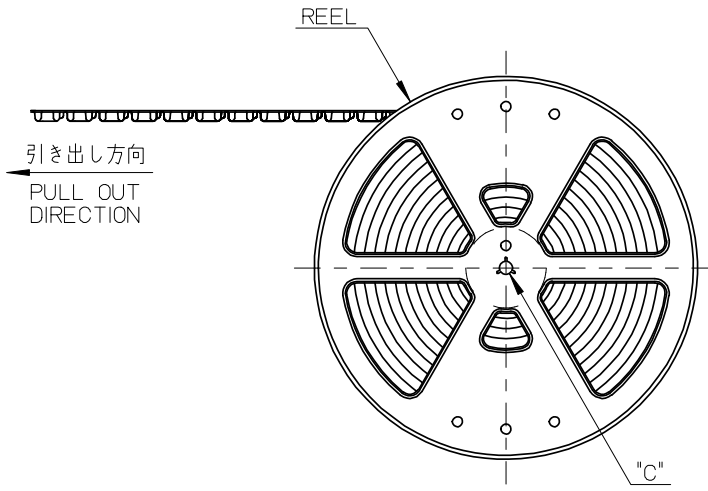
REVISED	EC NO: J2009-0386	DRWN: YA0YAGI 2008/08/20	GENERAL TOLERANCES (UNLESS SPECIFIED)	DIMENSION STYLE	SCALE	DESIGN UNITS	THIRD ANGLE PROJECTION
	DRWN: YA0YAGI 2008/08/20	CHKD: HYAJIMA 2008/08/20	10 UNDER ± 0.2	MM ONLY	10:1	METRIC	
	CHKD: HYAJIMA 2008/08/20	APPR: NUKITA 2008/08/20	10 OVER 30 UNDER ± 0.25	DRAWN BY DATE	TITLE		
	APPR: NUKITA 2008/08/20		30 OVER ± 0.3	RTAKEUCH 2005/10/27	0.4 B-TO-B CONN. HGT=1.7 PLUG ASSY [OVERMOLD]		
			ANGULAR ± 3 °	CHECKED BY DATE	MOLEX MOLEX INCORPORATED		
			DRAFT WHERE APPLICABLE MUST REMAIN WITHIN DIMENSIONS	THIRATA 2005/10/27	DOCUMENT NO.		
				APPROVED BY DATE	SD-501639-001		
				MSASAO 2005/10/27	SHEET NO.		
				MATERIAL NO.	2 OF 2		
				SEE SHEET 1	THIS DRAWING CONTAINS INFORMATION THAT IS PROPRIETARY TO MOLEX INCORPORATED AND SHOULD NOT BE USED WITHOUT WRITTEN PERMISSION		

注記 NOTES

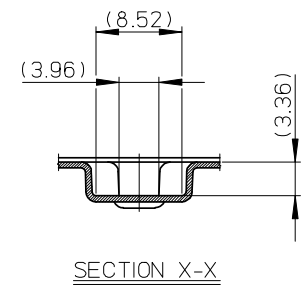
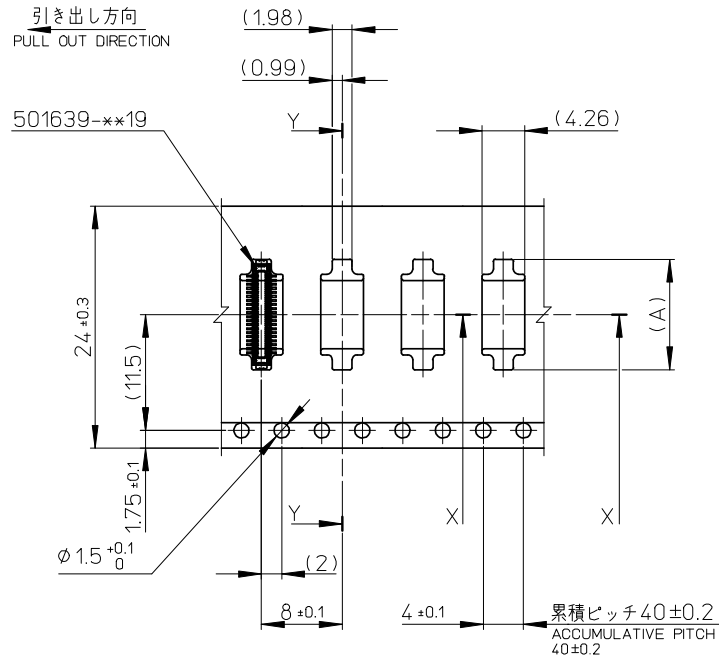
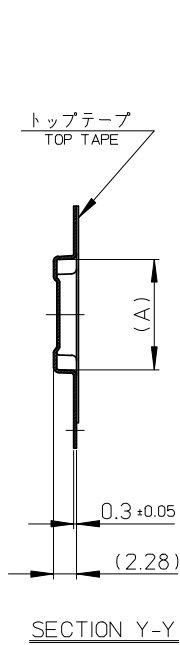
- 製品詳細寸法については製品単体図面を参照下さい。
RE DETAILED DIMENSION, SEE PRODUCT DRAWING.
- 梱包数量: 5000 個/リール
NUMBER OF CONNECTORS: 5000PCS/REEL
- リードテープ長さ LEAD TAPE LENGTH



- 材料 MATERIAL
 キャリアテープ (CARRIER TAPE): ポリスチレン (POLYSTYRENE)
 トップテープ (TOP TAPE): PET, PE, PEF
 リール (REEL): ポリスチレン (PS) <リサイクル材を含む>
 POLYSTYRENE (PS) <RECYCLE MATERIAL CONTAINED>
- ELV AND RoHS COMPLIANT.



REVISED EC NO: J2009-0386 2008/08/20 DRWN: YAGI 2008/08/20 CHKD: HYAJIMA 2008/08/20 APPR: NUKITA 2008/08/20	DESCRIPTION	GENERAL TOLERANCES (UNLESS SPECIFIED)		DIMENSION STYLE	SCALE	DESIGN UNITS	MODEL NO.	501639-**10	
				MM ONLY	---	METRIC	THIRD ANGLE PROJECTION		
		10 UNDER	±---	DRAWN BY	DATE	TITLE			
		10 OVER 30 UNDER	±---	RTAKEUCHI	2005/10/27	0.4 B-TO-B CONN. HGT=1.7 PLUG ASSY EMBSTP PKG			
		30 OVER	±---	CHECKED BY	DATE	APPROVED BY			
				THIRATA	2005/10/27	MSASAO			
				APPROVED BY	DATE	MATERIAL NO.			
					2005/10/27	SEE SHEET 2			
						DOCUMENT NO.		SHEET NO.	
						SD-501639-002		1 OF 2	
						THIS DRAWING CONTAINS INFORMATION THAT IS PROPRIETARY TO MOLEX INCORPORATED AND SHOULD NOT BE USED WITHOUT WRITTEN PERMISSION			



24mm 幅キャリアテープ
24mm WIDTH CARRIER TAPE

24	25.5	14.96	501639-0610	60	
		12.96	501639-0510	50	
		10.96	501639-0410	40	
		8.96	501639-0310	30	
キャリアテープ幅 CARRIER TAPE WIDTH		B	(A)	MATERIAL No.	CKT.
			MODEL No.	501639-**10	

REVISED EC NO: J2009-0386 DRWN: YAGYAGI CHKD: HYAJIMA APPR: NUKITA	2008/08/20	GENERAL TOLERANCES (UNLESS SPECIFIED)	DIMENSION STYLE MM ONLY	SCALE ---	DESIGN UNITS METRIC	THIRD ANGLE PROJECTION
	2008/08/20	10 UNDER ±---	DRAWN BY RTAKEUCHI	DATE 2005/10/27	TITLE 0.4 B-T0-B CONN. HGT=1.7 PLUG ASSY EMBSTP PKG	
	2008/08/20	10 OVER 30 UNDER ±---	CHECKED BY THIRATA	DATE 2005/10/27	MOLEX INCORPORATED	
	2008/08/20	30 OVER ±---	APPROVED BY MSASAO	DATE 2005/10/27	DOCUMENT NO. SD-501639-002	
REV	DESCRIPTION	ANGULAR ±---°	MATERIAL NO. SEE TABLE	SHEET NO. 2 OF 2		
		DRAFT WHERE APPLICABLE MUST REMAIN WITHIN DIMENSIONS	THIS DRAWING CONTAINS INFORMATION THAT IS PROPRIETARY TO MOLEX INCORPORATED AND SHOULD NOT BE USED WITHOUT WRITTEN PERMISSION			