

**PLEASE CHECK WWW.MOLEX.COM FOR LATEST PART INFORMATION**

**Part Number:** [0399800422](#)  
**Status:** **Active**  
**Description:** 5.08mm (.200") Pitch Beau™ Eurostyle™ Surface Mount Compatible Locking Header, 22 Circuits

**Documents:**

[3D Model](#) [RoHS Certificate of Compliance \(PDF\)](#)  
[Drawing \(PDF\)](#)

**Agency Certification**

UL E48521

**General**

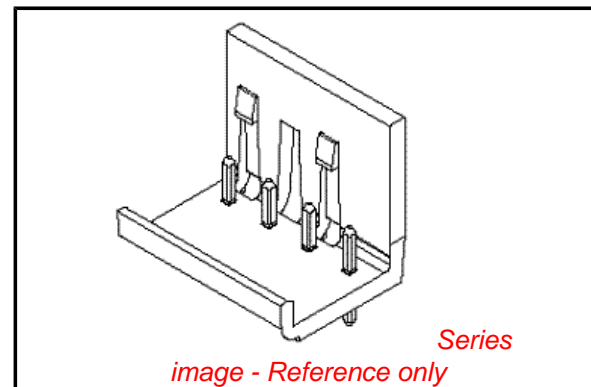
|                             |                        |
|-----------------------------|------------------------|
| Product Family              | Terminal Blocks        |
| Series                      | <a href="#">39980</a>  |
| Application                 | Wire-to-Board          |
| Comments                    | Gold plating available |
| Component Type              | PCB Header             |
| Product Literature Order No | USA-267                |
| Product Name                | Eurostyle™ Pluggable   |
| Type                        | Euro Block             |

**Physical**

|                                |          |
|--------------------------------|----------|
| Circuits (Loaded)              | 22       |
| Color - Resin                  | Black    |
| Entry Angle                    | N/A      |
| Flammability                   | 94V-0    |
| Lock to Mating Part            | Yes      |
| Material - Plating Mating      | Tin      |
| Material - Plating Termination | Tin      |
| Material - Resin               | Nylon    |
| Number of Rows                 | 1        |
| Orientation                    | Vertical |
| PC Tail Length (in)            | 0.150 In |
| PC Tail Length (mm)            | 3.81 mm  |
| PCB Retention                  | None     |
| PCB Thickness Recommended (in) | 0.062 In |
| PCB Thickness Recommended (mm) | 1.60 mm  |
| Panel Mount                    | No       |
| Pitch - Mating Interface (in)  | 0.200 In |
| Pitch - Mating Interface (mm)  | 5.08 mm  |
| Pitch - Term. Interface (in)   | 0.200 In |
| Pitch - Term. Interface (mm)   | 5.08 mm  |
| Plating min: Mating (µin)      | 150      |
| Plating min: Mating (µm)       | 3.75     |
| Plating min: Termination (µin) | 150      |
| Plating min: Termination (µm)  | 3.75     |
| Polarized to Mating Part       | Yes      |
| Shrouded                       | No       |
| Stackable                      | No       |
| Surface Mount Compatible (SMC) | No       |
| Temperature Range - Operating  | 140°C    |
| Wire Size AWG                  | N/A      |

**Electrical**

Current - Maximum per Contact 10A



**EU RoHS**

**ELV and RoHS  
Compliant**  
**REACH SVHC**  
 Not Reviewed  
**Halogen-Free  
Status**  
 Not Reviewed

**China RoHS**



**Need more information on product  
environmental compliance?**

Email [productcompliance@molex.com](mailto:productcompliance@molex.com)  
 For a multiple part number RoHS Certificate of Compliance, [click here](#)

Please visit the [Contact Us](#) section for any non-product compliance questions.

**Search Parts in this Series**

[39980Series](#)

**Mates With**

[39980-2122](#) Spring Clamp Plug, [39980-0322](#) Screw Clamp Plug

Voltage - Maximum

300V

**Material Info**

Old Part Number

981522

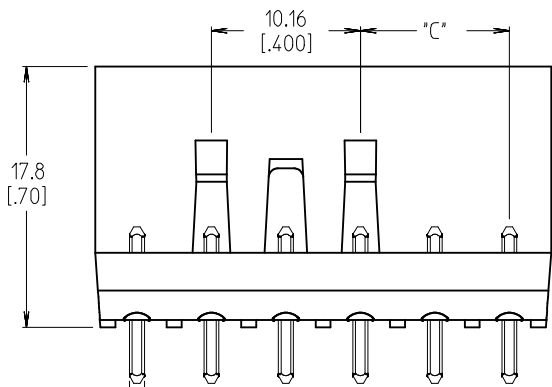
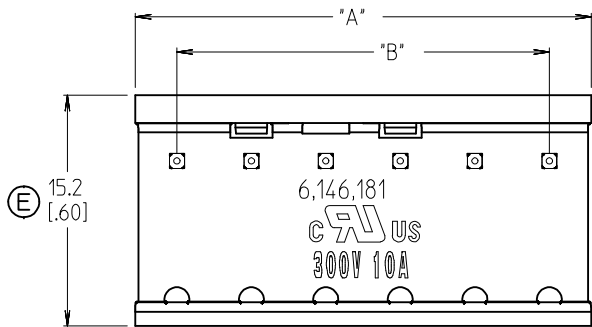
**Reference - Drawing Numbers**

Sales Drawing

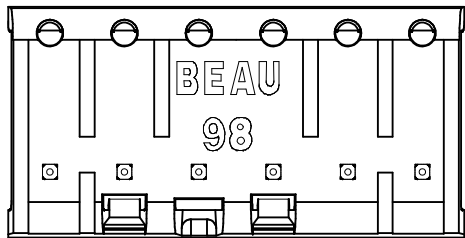
SD-39980-006

This document was generated on 04/27/2010

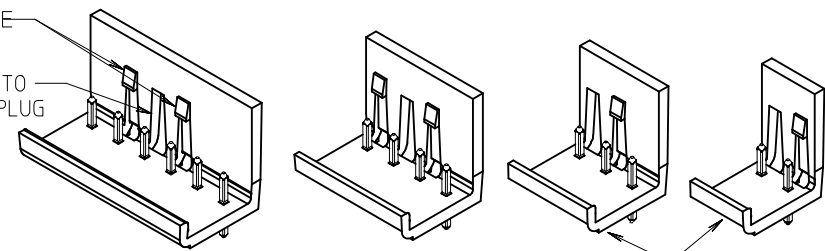
**PLEASE CHECK [WWW.MOLEX.COM](http://WWW.MOLEX.COM) FOR LATEST PART INFORMATION**



1.00 SQ. [0.039] TYP.



DUAL SNAP FEATURE CENTERED ON PLUG  
ALIGNMENT FEATURE TO MATCH FEATURE ON PLUG



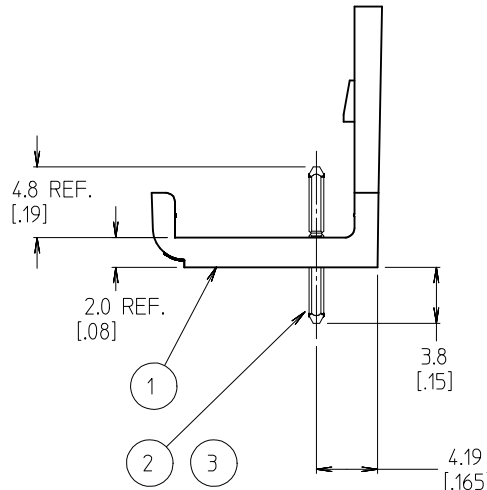
AUXILLARY VIEW SCALE 1:1

SINGLE SNAP FEATURE TO THE RIGHT OF ALIGNMENT FEATURE, 2 & 3 CIRCUIT PARTS

NOTES:

1. MATERIAL: SEE TABLE
2. FINISHES: SEE TABLE
3. PRODUCT SPECIFICATION: PPS.98.002
4. INCH DIMS ARE SHOWN IN BRACKETS [XXX].
5. \*XX\* REFERS TO QTY. OF CIRCUITS.
6. ASSEMBLY IS ROHS COMPLIANT.
7. REPLACES DWG. SD-39980-0402.

Ⓔ



| NUMBER OF CIRCUITS *XX* | DIM. 'A'       | DIM. 'B'       | DIM. 'C' *013 | MATERIAL NO. TIN (STD) | MATERIAL NO. GOLD OPTION |
|-------------------------|----------------|----------------|---------------|------------------------|--------------------------|
| 02                      | 10.77 [0.424]  | 5.08 [0.200]   | N/A           | 39980-0402             | 39981-0402               |
| 03                      | 15.85 [0.624]  | 10.16 [0.400]  | 5.08 [0.200]  | 39980-0403             | 39981-0403               |
| 04                      | 20.93 [0.824]  | 15.24 [0.600]  | 5.08 [0.200]  | 39980-0404             | 39981-0404               |
| 05                      | 26.01 [1.024]  | 20.32 [0.800]  | 5.08 [0.200]  | 39980-0405             | 39981-0405               |
| 06                      | 31.09 [1.224]  | 25.40 [1.000]  | 10.16 [0.400] | 39980-0406             | 39981-0406               |
| 07                      | 36.17 [1.424]  | 30.48 [1.200]  | 10.16 [0.400] | 39980-0407             | 39981-0407               |
| 08                      | 41.25 [1.624]  | 35.56 [1.400]  | 15.24 [0.600] | 39980-0408             | 39981-0408               |
| 09                      | 46.33 [1.824]  | 40.64 [1.600]  | 15.24 [0.600] | 39980-0409             | 39981-0409               |
| 10                      | 51.41 [2.024]  | 45.72 [1.800]  | 20.32 [0.800] | 39980-0410             | 39981-0410               |
| 11                      | 56.49 [2.224]  | 50.80 [2.000]  | 20.32 [0.800] | 39980-0411             | 39981-0411               |
| 12                      | 61.57 [2.424]  | 55.88 [2.200]  | 25.40 [1.000] | 39980-0412             | 39981-0412               |
| 13                      | 66.65 [2.624]  | 60.96 [2.400]  | 25.40 [1.000] | 39980-0413             | 39981-0413               |
| 14                      | 71.73 [2.824]  | 66.04 [2.600]  | 30.48 [1.200] | 39980-0414             | 39981-0414               |
| 15                      | 76.81 [3.024]  | 71.12 [2.800]  | 30.48 [1.200] | 39980-0415             | 39981-0415               |
| 16                      | 81.89 [3.224]  | 76.20 [3.000]  | 35.56 [1.400] | 39980-0416             | 39981-0416               |
| 17                      | 86.97 [3.424]  | 81.28 [3.200]  | 35.56 [1.400] | 39980-0417             | 39981-0417               |
| 18                      | 92.05 [3.624]  | 86.36 [3.400]  | 40.64 [1.600] | 39980-0418             | 39981-0418               |
| 19                      | 97.13 [3.824]  | 91.44 [3.600]  | 40.64 [1.600] | 39980-0419             | 39981-0419               |
| 20                      | 102.21 [4.024] | 96.52 [3.800]  | 45.72 [1.800] | 39980-0420             | 39981-0420               |
| 21                      | 107.29 [4.224] | 101.60 [4.000] | 45.72 [1.800] | 39980-0421             | 39981-0421               |
| 22                      | 112.37 [4.424] | 106.68 [4.200] | 50.80 [2.000] | 39980-0422             | 39981-0422               |
| 23                      | 117.45 [4.624] | 111.76 [4.400] | 50.80 [2.000] | 39980-0423             | 39981-0423               |
| 24                      | 122.53 [4.824] | 116.84 [4.600] | 55.88 [2.200] | 39980-0424             | 39981-0424               |

| ITEM | QTY. | DESCRIPTION     | MATERIAL | FINISH |
|------|------|-----------------|----------|--------|
| 3    | XX   | HEADER PIN GOLD | BRASS    | GOLD   |
| 2    | XX   | HEADER PIN      | BRASS    | TIN    |
| 1    | 1    | INSULATOR       | NYLON    | BLACK  |

**WIDTH WAS .62/IS .60**  
 EC NO: MNA2009-0464  
 DRAWN BY: DRW:NYLOR 2009/02/03  
 CHKD:RDEROSS 2009/02/05  
 APPR:RDEROSS 2009/02/09

QUALITY SYMBOLS  
 ▽=0  
 ▽=0

GENERAL TOLERANCES (UNLESS SPECIFIED)  
 mm INCH  
 4 PLACES ± --- ± ---  
 3 PLACES ± --- ± .005  
 2 PLACES ± 0.13 ± .01  
 1 PLACE ± 0.3 ± ---  
 ANGULAR ± 2 °

DRAFT WHERE APPLICABLE MUST REMAIN WITHIN DIMENSIONS

DIMENSION STYLE: MM/IN  
 SCALE: 3:1  
 DESIGN UNITS: INCH  
 THIRD ANGLE PROJECTION

DRAWN BY: R. KEMP DATE: 2001/12/05  
 CHECKED BY: R. KEMP DATE: 2003/10/07  
 APPROVED BY: L. ROTHBAUS DATE: 2003/10/17

MATERIAL NO. SEE CHART  
 TITLE: 5.08/200 SINGLE ROW EUROSTYLE HEADER ASSEMBLY  
 MOLEX INCORPORATED  
 DOCUMENT NO. SD-39980-006  
 SHEET NO. 1 OF 1

THIS DRAWING CONTAINS INFORMATION THAT IS PROPRIETARY TO MOLEX INCORPORATED AND SHOULD NOT BE USED WITHOUT WRITTEN PERMISSION