

**PLEASE CHECK WWW.MOLEX.COM FOR LATEST PART INFORMATION**

**Part Number:** [0357450410](#)  
**Status:** **Active**  
**Overview:** [versablade](#)  
**Description:** Tab Crimp Terminal 35745, Male, 24-26 AWG , (0.20 - 0.12mm<sup>2</sup>), Brass, Pre-Tin Plated, Reel

**Documents:**

[Drawing \(PDF\)](#) [RoHS Certificate of Compliance \(PDF\)](#)  
[Product Specification PS-35180-003 \(PDF\)](#)

**General**

Product Family	Crimp Terminals
Series	<a href="#">35745</a>
Crimp Quality Equipment	Yes
Overview	<a href="#">versablade</a>
Product Name	VersaBlade™

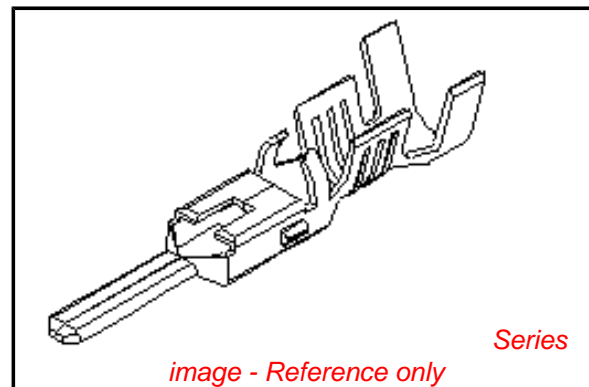
**Physical**

Gender	Male
Material - Metal	Brass
Material - Plating Mating	Tin
Material - Plating Termination	Tin
Packaging Type	Reel
Plating min: Mating (µin)	32.00
Plating min: Mating (µm)	0.800
Plating min: Termination (µin)	32.00
Plating min: Termination (µm)	0.80
Termination Interface: Style	Crimp or Compression
Wire Insulation Diameter	2.70mm (.106") max.
Wire Size AWG	24, 26
Wire Size mm <sup>2</sup>	N/A

**Material Info**

**Reference - Drawing Numbers**

Product Specification	PS-35180-003, RPS-35180-001
Sales Drawing	SD-35745-001



**EU RoHS**

**ELV and RoHS Compliant**  
**REACH SVHC Contains SVHC: No**  
**Halogen-Free Status**

**China RoHS**



**Halogen-Free**

**Need more information on product environmental compliance?**

Email [productcompliance@molex.com](mailto:productcompliance@molex.com)  
 For a multiple part number RoHS Certificate of Compliance, [click here](#)

Please visit the [Contact Us](#) section for any non-product compliance questions.

**Search Parts in this Series**

[35745Series](#)

**Mates With**

[35748](#) Crimp Terminal

**Use With**

[35150](#) VersaBlade™ Hybrid Receptacle Housing. [35151](#) VersaBlade™ Hybrid Plug Housing

**Application Tooling | FAQ**

*Tooling specifications and manuals are found by selecting the products below. Crimp Height Specifications are then contained in the Application Tooling Specification document.*

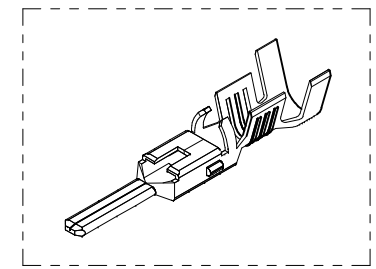
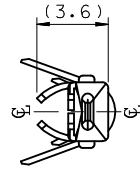
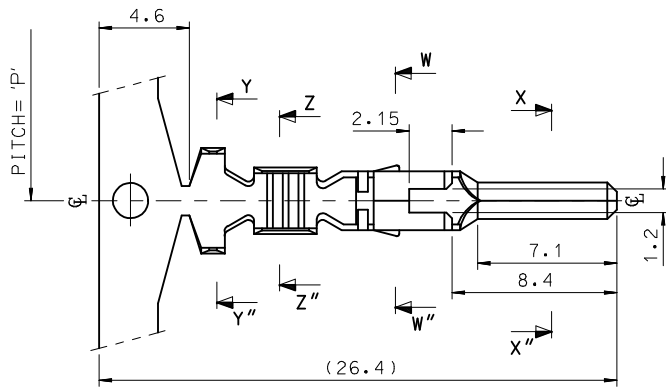
**Global**

Description	Product #
Fine Adjust Applicator for .070 Female Crimp Terminal.	<a href="#">0639020700</a>

T2 Terminator 0639120700  
for .070 Female  
Crimp Terminal

This document was generated on 05/27/2010

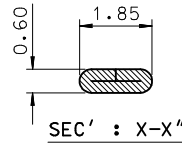
**PLEASE CHECK [WWW.MOLEX.COM](http://WWW.MOLEX.COM) FOR LATEST PART INFORMATION**



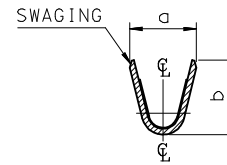
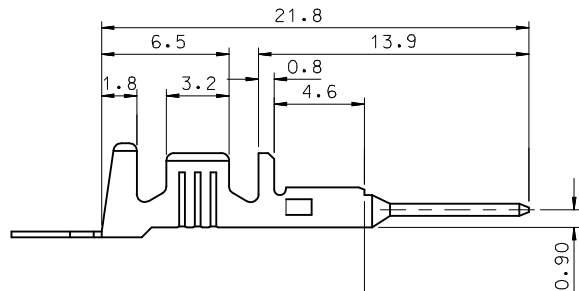
ISOMETRIC VIEW

NOTES.

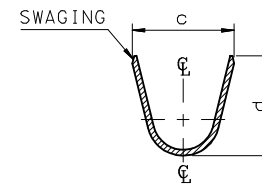
1. MATERIAL :  $\text{Ⓢ}$ BRASS, PRE-TIN PLATED
2. FINISH : 0.8~1.8 $\mu$ m, Tin(Sn) plating overall  
0.3~0.8 $\mu$ m, Copper(Cu) plating
3. PRODUCT SPECIFICATION : PS-35150-001, PS-35180-002  
PS-35180-003, PS-35524-001
4. CRIMPING SPECIFICATION : CS-35745-001
5. RECOMMENDED LENGTH OF WIRE STRIP IS 4.0~4.8mm



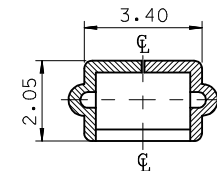
SEC' : X-X''



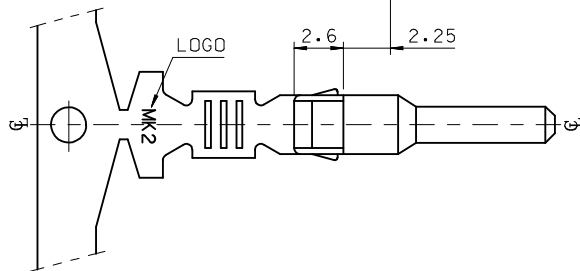
SEC' : X-X''



SEC' : Y-Y''



SEC' : W-W''



MATERIAL NO	ENG. No.	AWG	a	b	c	d	PITCH 'P'
357450210	35745-0210	#18-#14	3.4	3.8	5.2	4.8	12.0
357450110	35745-0110	#22-#20	2.85	2.8	4.2	4.0	10.6
357450410	35745-0410	#24	2.2	1.75	3.85	3.5	10.6

REVISED	EC NO: KOR2009-0151	2009/05/18
	TDRAWN: JHPARK01	2009/06/18
	CHKD: WY. YANG	2009/07/01
	APPR: YUNSIKKIM	2009/07/01
REV	DESCRIPTION	

QUALITY SYMBOLS	$\blacktriangledown=0$
	$\text{C}=0$
GENERAL TOLERANCES (UNLESS SPECIFIED)	mm
	INCH
DRAFT WHERE APPLICABLE MUST REMAIN WITHIN DIMENSIONS	4 PLACES $\pm$ --- $\pm$ ---
	3 PLACES $\pm$ --- $\pm$ ---
	2 PLACES $\pm$ 0.2 $\pm$ ---
	1 PLACE $\pm$ 0.3 $\pm$ ---
ANGULAR $\pm$ 1°	

DIMENSION STYLE		SCALE	DESIGN UNITS	THIRD ANGLE PROJECTION
MM ONLY		4:1	METRIC	$\text{Ⓢ}$
DRAWN BY	DATE	TITLE		
JS.KANG	1998/01/19	.070 MALE TERMINAL (A-TYPE)		
CHECKED BY	DATE	MATERIAL NO.		
BK.CHOI	1998/01/19	SEE TABLE		
APPROVED BY	DATE	DOCUMENT NO.		
CW.LEE	1998/01/19	SD-35745-001		
SIZE	THIS DRAWING CONTAINS INFORMATION THAT IS PROPRIETARY TO MOLEX INCORPORATED AND SHOULD NOT BE USED WITHOUT WRITTEN PERMISSION			
A3				

MATERIAL NO.		SHEET NO.	
SEE TABLE		1 OF 01	