

PLEASE CHECK WWW.MOLEX.COM FOR LATEST PART INFORMATION

Part Number: [0945294102](#)
Status: **Active**
Description: 5.00mm (.197") Pitch RAST, Receptacle, Natural Color, PA Polyamide (Nylon) 6/6, 2 Circuits, Glow Wire Compatible

Documents:

[Drawing \(PDF\)](#) [Product Specification PS-94529-002 \(PDF\)](#)
[Product Specification PS-94529-001 \(PDF\)](#) [RoHS Certificate of Compliance \(PDF\)](#)

Agency Certification

CSA LR19980
 UL E29179

General

Product Family Crimp Housings
 Series [94529](#)
 Product Name Pitch 5 Edge Card

Physical

Breakaway No
 Circuits (maximum) 2
 Color - Resin Natural
 Flammability 94V-0
 Gender Female
 Glow-Wire Compliant Yes
 Lock to Mating Part Yes
 Material - Resin Nylon
 Number of Rows 1
 Packaging Type Bag
 Panel Mount No
 Pitch - Mating Interface (in) 0.197 In
 Pitch - Mating Interface (mm) 5.00 mm
 Pitch - Term. Interface (in) 0.197 In
 Pitch - Term. Interface (mm) 5.00 mm
 Polarized to Mating Part Yes
 Ports 1
 Stackable No
 Temperature Range - Operating -40°C to +105°C, -40°C to +85°C

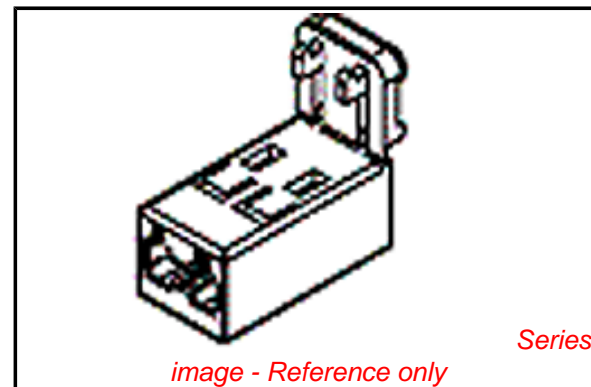
Electrical

Current - Maximum per Contact 6A

Material Info

Reference - Drawing Numbers

Product Specification PS-94529-001, PS-94529-002
 Sales Drawing SD-94529-004



EU RoHS

ELV and RoHS Compliant
REACH SVHC Contains SVHC: No
Halogen-Free Status

China RoHS



Need more information on product environmental compliance?

Email productcompliance@molex.com
 For a multiple part number RoHS Certificate of Compliance, [click here](#)

Please visit the [Contact Us](#) section for any non-product compliance questions.

Search Parts in this Series

[94529Series](#)

Mates With

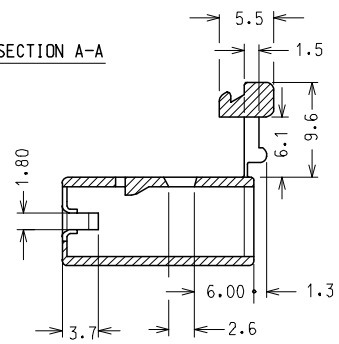
PCB thickness 1.50mm (.059")

Use With

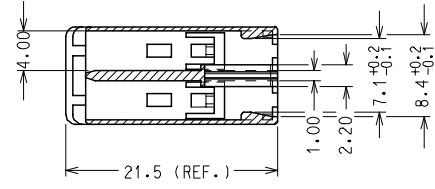
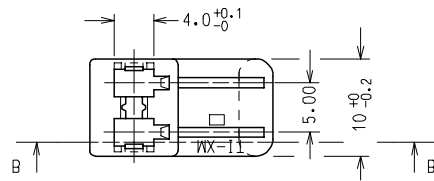
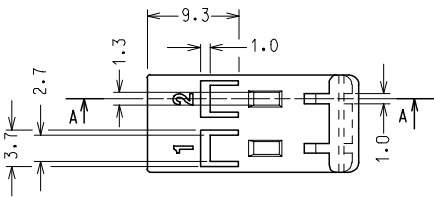
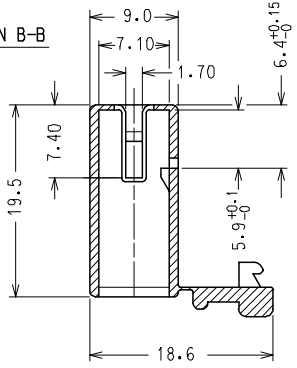
[94529-1203 Terminal](#)

10 9 8 7 6 5 4 3 2 1

SECTION A-A



SECTION B-B



DIMA PER C.S. spess. 1.5 ± 0.1
 VISTA LATO COMPONENTI
 RECOMMENDED PCB LAYOUT, PCB THICK: 15 ± 0.1
 VIEW FROM COMPONENT SIDE

CODICE	P/N	MATERIALE
94529-9102		PA 66 NAT. UL94 V2 GWT 850 °C
94529-7102		PA 66 NAT. UL94 V0
94529-4102		NYLON 6.6 GWT 750 °C sec. IEC 60335-1 TEST METHOD IEC 60695-2-11 NATURAL

NOTA: LE DIMENSIONI VANNO MISURATE CON CORPI STABILIZZATI SECONDO NG 2301. (AUMENTO IN PESO DEL 2.7 %)

NOTE: PARTS SHALL BE DIMENSIONALLY CHECKED AFTER ATTAINING EQUILIBRIUM CONDITIONS E.G. 2.7 % INCREASE IN WEIGHT FOR HUMIDITY ABSORPTION FROM DRY STATUS.

CARATTERISTICHE PRODOTTO SECONDO PS-94529
 PRODUCT CHARACTERISTICS ACCORDING TO PS-94529 E

CONFEZIONE: 4500 pz. in scatola
 PACKAGING: 4500 pcs. in carton box

SPQ: 4500 pz.

Descr. Std: HSG FOR FORK TERMINAL 2 CKT

EC NO: Z2006-0051 DRWN: FGOTTARD 2005/10/12 CHKD: RSANDAN 2005/10/12 APPR: GZUIN 2005/10/14	QUALITY SYMBOLS ▽ - 0 ▽ - 0	GENERAL TOLERANCES (UNLESS SPECIFIED)		SCALE 2:1	DESIGN UNITS METRIC	FIRST ANGLE PROJECTION	REVISE ON CAD ONLY	
		4 PLACES ± --- ± ---	3 PLACES ± --- ± ---	2 PLACES ± 0.10 ± ---	1 PLACE ± 0.2 ± ---	DIMENSION STYLE MM ONLY		TITLE 2 CKT HOUSING FOR STRAIGHT FORK TERMINAL
		ANGULAR ± 2 °				DRAWN BY FGOTTARD 2000/01/24	DATE 2000/01/24	
		DRAFT WHERE APPLICABLE MUST REMAIN WITHIN DIMENSIONS				CHECKED BY MTESTAGU 2000/01/24	DATE 2000/01/24	MOLEX INCORPORATED
B3	REV	THIS DRAWING CONTAINS INFORMATION THAT IS PROPRIETARY TO MOLEX INCORPORATED AND SHOULD NOT BE USED WITHOUT WRITTEN PERMISSION		APPROVED BY RMARTUCC 2000/01/24	DATE 2000/01/24	MATERIAL NO. SEE TABLE	DOCUMENT NO. SD-94529-004	SHEET NO. 1 OF 1

9 8 7 6 5 4 3 2 1

A3