

PLEASE CHECK WWW.MOLEX.COM FOR LATEST PART INFORMATION

Part Number: [0194350811](#)
Status: **Active**
Overview: [mx150l sealed connector system](#)
Description: MX150L™ 8 Circuit Rear Mounted Flange Plugs for 14-16 AWG Wire, with Gasket

Documents:

[3D Model](#) [RoHS Certificate of Compliance \(PDF\)](#)
[Drawing \(PDF\)](#)

General

Product Family	Crimp Housings
Series	19435
Comments	Mat Seal Color is Blue
Overview	mx150l sealed connector system
Product Literature Order No	987650-2181
Product Name	MX150L™

Physical

Circuits (maximum)	8
Gender	Male
Glow-Wire Compliant	No
Lock to Mating Part	Yes
Number of Rows	2
Packaging Type	Bag
Panel Mount	Yes
Pitch - Mating Interface (in)	0.230 In
Pitch - Mating Interface (mm)	5.84 mm
Polarized to Mating Part	Yes
Stackable	No
Temperature Range - Operating	-40°C to +125°C

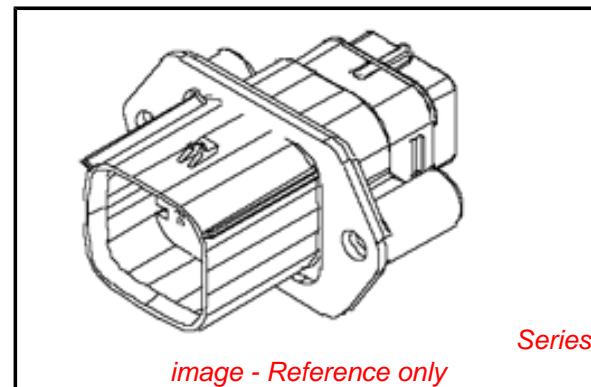
Electrical

Current - Maximum per Contact	18A
-------------------------------	-----

Material Info

Reference - Drawing Numbers

Packaging Specification	PK-19435-001
Sales Drawing	SD-19435-008



EU RoHS

ELV and RoHS Compliant
REACH SVHC
 Not Reviewed
Halogen-Free Status

China RoHS



Need more information on product environmental compliance?

Email productcompliance@molex.com
 For a multiple part number RoHS Certificate of Compliance, [click here](#)

Please visit the [Contact Us](#) section for any non-product compliance questions.

Search Parts in this Series

[19435Series](#)

Mates With

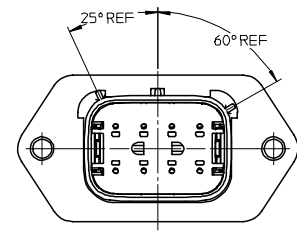
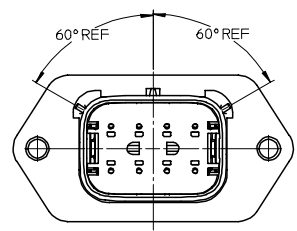
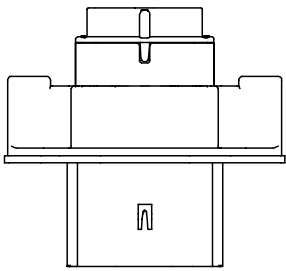
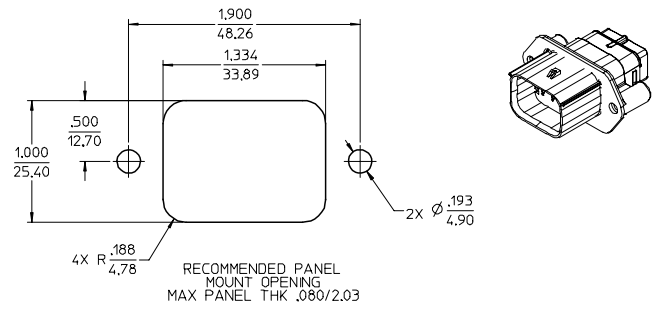
[19418](#)

Use With

[19417 Male Crimp Terminals](#)

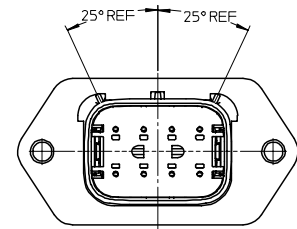
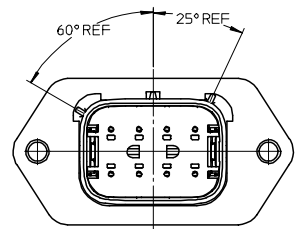
PLEASE CHECK WWW.MOLEX.COM FOR LATEST PART INFORMATION

MATERIAL NUMBER	WIRE GAGE	GASKET	KEYING OPTION	COLOR
194350811	16-14	YES	A	BLACK
194350812	22-18	YES	A	BLACK
194350813	16-14	NO	A	BLACK
194350814	22-18	NO	A	BLACK
194350816	16-14	YES	B	GRAY
194350817	22-18	YES	B	GRAY
194350818	16-14	NO	B	GRAY
194350819	22-18	NO	B	GRAY
194350821	16-14	YES	C	BROWN
194350822	22-18	YES	C	BROWN
194350823	16-14	NO	C	BROWN
194350824	22-18	NO	C	BROWN
194350826	16-14	YES	D	GREEN
194350827	22-18	YES	D	GREEN
194350828	16-14	NO	D	GREEN
194350829	22-18	NO	D	GREEN



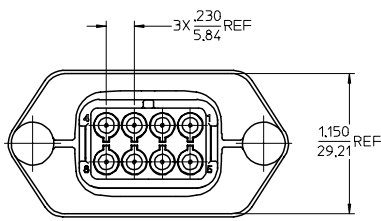
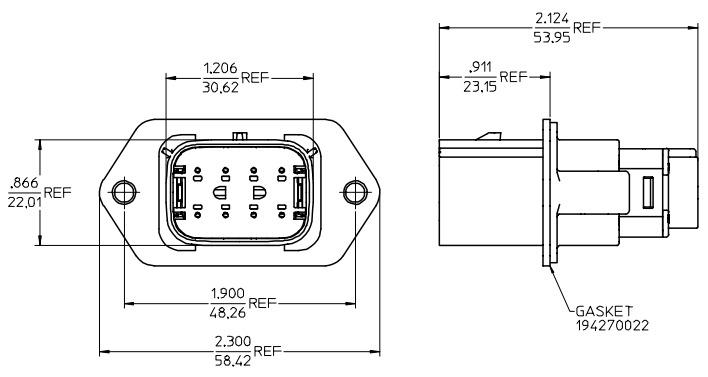
KEY A

KEY B



KEY C

KEY D



NOTES:
 1. MATERIALS:
 HOUSING: POLYESTER (PB7). GLASS FILLED. UL94 V-0.
 COLOR: SEE CHART.
 SEAL & GASKET: SILICONE RUBBER.
 2. PRODUCT SPECIFICATION: PS-19417-001.
 3. PACKAGING SPECIFICATION: PK-19419-001.
 4. MATES WITH 19418 SERIES RECEPTACLE ASSEMBLIES.
 5. RECOMMENDED MOUNTING HARDWARE: (2) #10 X .62/18.9 LONG PLASTIC THREAD CUTTING SCREWS. RECOMMENDED TORQUE 15-17 IN-LBS. SUGGESTED SOURCE: ITW SHAKEPROOF INDUSTRIAL BOSSCREW OR EQUIVALENT.

NEW PRODUCT IEC NO. ETC 2005-0228 DRAWN: JPAML/CK 2005/06/28 CHKCD: JPAML/CK 2005/06/28 APPR: RDEROSS 2005/06/28	QUALITY SYMBOLS	GENERAL TOLERANCES (UNLESS SPECIFIED)	DIMENSION STYLE	SCALE	DESIGN UNITS	THIRD ANGLE PROJECTION															
	$\nabla=0$ $\nabla=0$	<table border="1"> <thead> <tr> <th></th> <th>mm</th> <th>INCH</th> </tr> </thead> <tbody> <tr> <td>4 PLACES</td> <td>± .15</td> <td>± .005</td> </tr> <tr> <td>3 PLACES</td> <td>± .10</td> <td>± .005</td> </tr> <tr> <td>2 PLACES</td> <td>± 0.38</td> <td>± .015</td> </tr> <tr> <td>1 PLACE</td> <td>± .15</td> <td>± .005</td> </tr> </tbody> </table>		mm	INCH	4 PLACES	± .15	± .005	3 PLACES	± .10	± .005	2 PLACES	± 0.38	± .015	1 PLACE	± .15	± .005	IN/MM	2:1	INCH	
		mm	INCH																		
	4 PLACES	± .15	± .005																		
3 PLACES	± .10	± .005																			
2 PLACES	± 0.38	± .015																			
1 PLACE	± .15	± .005																			
DRAFT WHERE APPLICABLE MUST REMAIN WITHIN DIMENSIONS	DRAWN BY: JPAML/CK DATE: 02/09/05 CHECKED BY: DATE JPAML/CK DATE: 02/10/05 APPROVED BY: DATE RDEROSS DATE: 02/11/05	MATERIAL NO. SEE CHART SD-19435-008	TITLE 8 WAY SEALED PLUG PANEL MOUNT ASSEMBLY, 22-14 AWG, A-D POLARIZATION	DOCUMENT NO. SD-19435-008	SHEET NO. 1 OF 1																
THIS DRAWING CONTAINS INFORMATION THAT IS PROPRIETARY TO MOLEX INCORPORATED AND SHOULD NOT BE USED WITHOUT WRITTEN PERMISSION	MOLEX MOLEX INCORPORATED																				