

**PLEASE CHECK WWW.MOLEX.COM FOR LATEST PART INFORMATION**

**Part Number:** [0050361769](#)  
**Status:** **Active**  
**Overview:** [minifit\\_jr](#)  
**Description:** 4.20mm (.165") Pitch Mini-Fit Jr.™ Header, Dual Row, Right Angle, 3 Circuits, PA Polyamide Nylon 6/6, 94V-0, Bright Tin (Sn) over Nickel (Ni) Plating, Glow Wire Compatible

**Documents:**

[3D Model](#) [Product Specification PS-5556-001 \(PDF\)](#)  
[Drawing \(PDF\)](#) [RoHS Certificate of Compliance \(PDF\)](#)

**Agency Certification**

CSA	LR19980
TUV	R72081037
UL	E29179

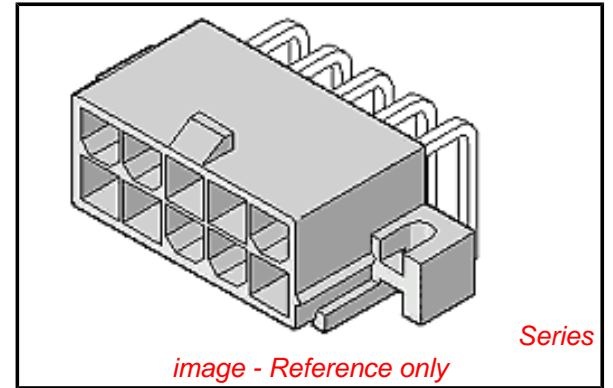
**General**

Product Family	PCB Headers
Series	<a href="#">5569</a>
Application	Wire-to-Board
Comments	Current = 13A max. per circuit when header is mated to a receptacle loaded with <a href="#">45750</a> Mini-Fit Plus HCS™ Crimp Terminal Crimped to to 16 AWG wire. . See Molex Product specification PS-5556-001 for additional current de-rating information.

Overview	<a href="#">minifit_jr</a>
Product Name	Mini-Fit Jr.™

**Physical**

Breakaway	No
Circuits (Loaded)	3
Circuits (maximum)	3
Circuits Detail	3
Color - Resin	Black
Durability (mating cycles max)	30
First Mate / Last Break	No
Flammability	94V-2
Glow-Wire Compliant	Yes
Guide to Mating Part	No
Keying to Mating Part	None
Lock to Mating Part	Yes
Material - Metal	Brass
Material - Plating Mating	Tin
Material - Plating Termination	Nickel
Material - Resin	Nylon
Number of Rows	2
Orientation	Right Angle
PC Tail Length (in)	0.142 In
PC Tail Length (mm)	3.60 mm
PCB Locator	Yes
PCB Retention	Yes
PCB Thickness Recommended (in)	0.070 In
PCB Thickness Recommended (mm)	1.78 mm
Packaging Type	Bag
Pitch - Mating Interface (in)	0.165 In
Pitch - Mating Interface (mm)	4.20 mm



**EU RoHS**

**ELV and RoHS Compliant**  
**REACH SVHC Contains SVHC: No**  
**Halogen-Free Status**  
**Not Reviewed**

**China RoHS**



**Need more information on product environmental compliance?**

Email [productcompliance@molex.com](mailto:productcompliance@molex.com)  
 For a multiple part number RoHS Certificate of Compliance, [click here](#)

Please visit the [Contact Us](#) section for any non-product compliance questions.

**Search Parts in this Series**

[5569Series](#)

**Mates With**

[5557](#) Mini-Fit Jr.™ Receptacle Housing

Pitch - Term. Interface (in)	0.165 In
Pitch - Term. Interface (mm)	4.20 mm
Polarized to Mating Part	Yes
Polarized to PCB	Yes
Shrouded	Fully
Stackable	No
Surface Mount Compatible (SMC)	No
Temperature Range - Operating	-40°C to +105°C
Termination Interface: Style	Through Hole

### **Electrical**

Current - Maximum per Contact	13A
Voltage - Maximum	600V

### **Solder Process Data**

Duration at Max. Process Temperature (seconds)	5
Lead-free Process Capability	Wave Capable (TH only)
Max. Cycles at Max. Process Temperature	1
Process Temperature max. C	240

### **Material Info**

Old Part Number	5569-03A4S-225
-----------------	----------------

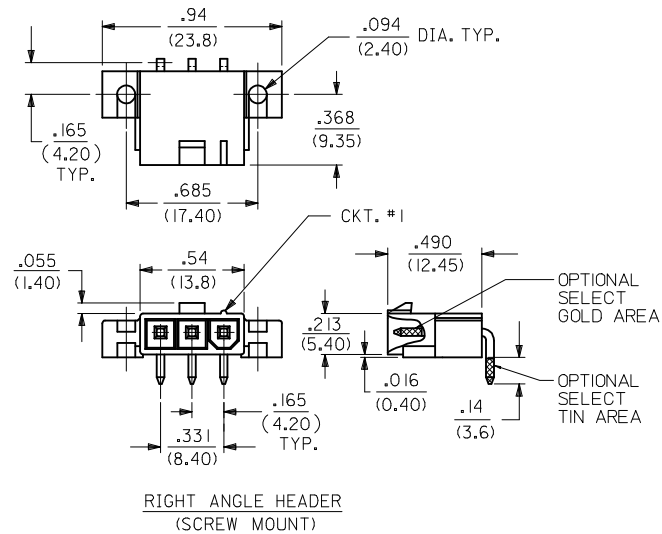
### **Reference - Drawing Numbers**

Packaging Specification	PK-5569-002
Product Specification	PS-5556-001
Sales Drawing	SD-5569-03A**-225
Test Summary	TS-5556-002

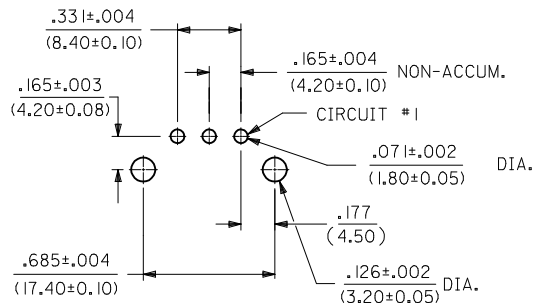
This document was generated on 05/21/2010

**PLEASE CHECK [WWW.MOLEX.COM](http://WWW.MOLEX.COM) FOR LATEST PART INFORMATION**

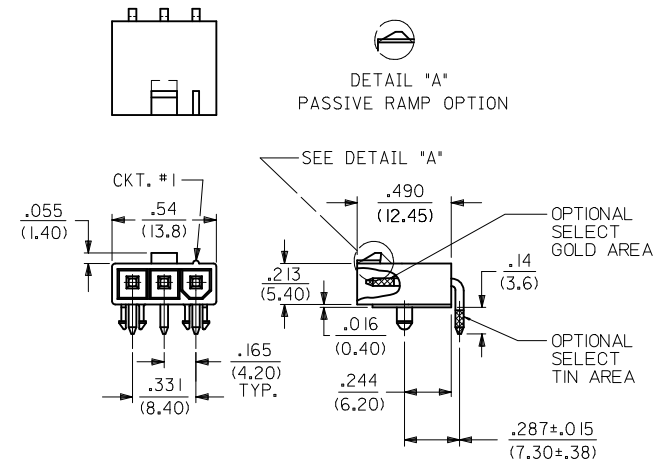
PART NUMBER	ENGINEERING NUMBER	MOUNT OPTION	PLATING	MAT'L.
NO E.D.P.	5569-03A3GS2-225	3	15 GOLD	225
NO E.D.P.	5569-03A3GS-225	3	30 GOLD	225
NO E.D.P.	5569-03A4GS2-225	4	15 GOLD	225
NO E.D.P.	5569-03A4GS-225	4	30 GOLD	225
NO E.D.P.	5569-03A3S-225	3	TIN/NICKEL	225
50-36-1769	5569-03A4S-225	4	TIN/NICKEL	225
NO E.D.P.	5569-03A4MS-225	4	MATTE TIN	225
NO E.D.P.	5569-03A5GS2-225	5	15 GOLD	225
NO E.D.P.	5569-03A5GS-225	5	30 GOLD	225
NO E.D.P.	5569-03A5S-225	5	TIN/NICKEL	225



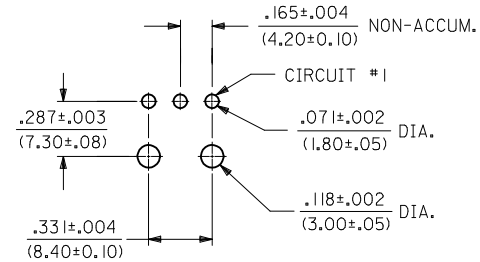
RIGHT ANGLE HEADER  
(SCREW MOUNT)



RECOMMENDED HOLE LAYOUT FOR  
.070/(1.78) MAX. THICK P.C. BOARD  
VIEWED FROM COMPONENT SIDE



RIGHT ANGLE HEADER  
(PEG MOUNT)

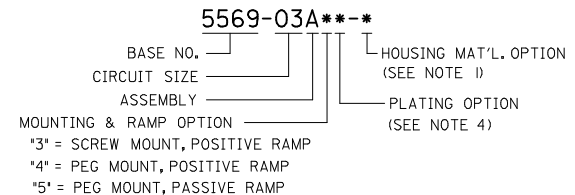


RECOMMENDED HOLE LAYOUT FOR  
.070/(1.78) MAX. THICK P.C. BOARD  
VIEWED FROM COMPONENT SIDE

NOTES:

- MATERIAL:  
HOUSING:  
\*225\* = UNFILLED NYLON 6, UL94V-0, IEC 60335-1  
4TH EDITION GLOW WIRE CAPABLE, COLOR - BLACK.  
TERMINAL MATERIAL: BRASS ALLOY
- TERMINAL PLATING:  
\*S\* = .000100/(0.00254) MIN. BRIGHT TIN OVER  
.000050/(0.00127) MIN. NICKEL.  
\*MS\* = .000100/(0.00254) MIN. MATTE TIN OVER  
.000050/(0.00127) MIN. NICKEL.  
\*GS\* = .000030/(0.00076) MIN. SELECT GOLD, .000100/(0.00254) MIN. SELECT  
MATTE TIN OVER .000050/(0.00127) MIN. NICKEL OVERALL  
\*GS2\* = .000015/(0.00038) MIN. SELECT GOLD, .000100/(0.00254)  
MIN. SELECT MATTE TIN OVER .000050/(0.00127) MIN. NICKEL OVERALL.
- PRODUCT SPECIFICATION AND PROCESSING PARAMETERS: SEE PS-5556-001.
- PACKAGING SPECIFICATION: PK-5569-002.
- PART MATES WITH MOLEX RECEPTACLE 5557 SERIES.
- PART IS DESIGNED FOR USE WITH 4-40 OR M3 SCREWS.
- DISCOLORATION IN THE BANDOLIER CARRIER AREA OF THE PIN IS  
INHERENT TO THE PLATING PROCESS AND IS DUE TO THE MASKING  
EFFECT OF THE CARRIER. THIS DISCOLORATION IS IN A NON-FUNCTIONAL  
AREA OF THE PIN AND WILL NOT AFFECT THE PERFORMANCE OF THE  
HEADER ASSEMBLY.
- CONNECTORS ARE NOT TO BE MATED AND UNMATED WHILE CIRCUITS ARE LIVE.
- PARTS ARE NOT DESIGNED FOR CURRENT SHARING.
- PART CONFORMS TO CLASS "B" REQUIREMENTS OF COSMETIC'  
SPECIFICATION PS-45499-002.

LEGEND



INITIAL RELEASE EC NO: UCP2009-2653 DRAWN: TRBENES 2009/04/29 CHKD: JBELL 2009/05/04 APPR: FSMITH 2009/05/04	QUALITY SYMBOLS ▽=0 ▽=0	GENERAL TOLERANCES (UNLESS SPECIFIED)		DIMENSION STYLE IN/MM	SCALE 2:1	DESIGN UNITS METRIC	THIRD ANGLE PROJECTION				
		4 PLACES ± --- ± ---	3 PLACES ± --- ± .005	2 PLACES ± 0.13 ± .01	1 PLACE ± 0.25 ± ---	ANGULAR ± 5 °	DRAWN BY TRBENES DATE 4/28/09	CHECKED BY JBELL DATE 4/28/09	APPROVED BY FSMITH DATE 4/28/09	TITLE 3 CKT GLOW WIRE HEADER MINI-FIT JR. SERIES (SINGLE ROW)	MATERIAL NO. SEE CHART
DRAFT WHERE APPLICABLE MUST REMAIN WITHIN DIMENSIONS		THIS DRAWING CONTAINS INFORMATION THAT IS PROPRIETARY TO MOLEX INCORPORATED AND SHOULD NOT BE USED WITHOUT WRITTEN PERMISSION									