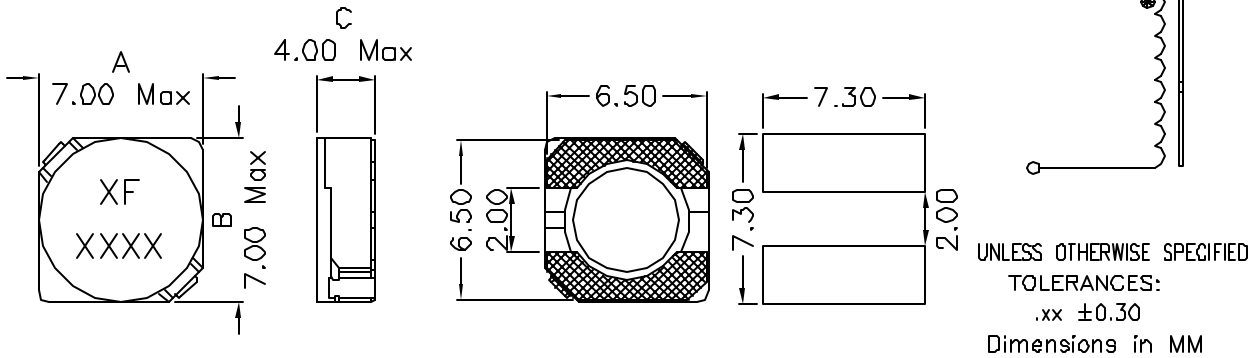


XFTP6D38 SERIES SHIELDED INDUCTOR

Schematic:

Mechanical Dimensions:



| Part Number | OCL (1) (μ H) | DCR (2) (Ohms Max) | IDC (3) (A) |
|--------------|-----------------------|-----------------------|----------------|
| XFTP6D38-3R3 | 3.30 | 0.020 | 3.50 |
| XFTP6D38-5R0 | 5.00 | 0.024 | 2.90 |
| XFTP6D38-6R2 | 6.20 | 0.027 | 2.50 |
| XFTP6D38-7R4 | 7.40 | 0.031 | 2.30 |
| XFTP6D38-8R7 | 8.70 | 0.034 | 2.20 |
| XFTP6D38-100 | 10.00 | 0.038 | 2.00 |
| XFTP6D38-120 | 12.00 | 0.053 | 1.70 |
| XFTP6D38-150 | 15.00 | 0.057 | 1.60 |
| XFTP6D38-180 | 18.00 | 0.092 | 1.50 |
| XFTP6D38-220 | 22.00 | 0.096 | 1.30 |
| XFTP6D38-270 | 27.00 | 0.109 | 1.20 |
| XFTP6D38-330 | 33.00 | 0.124 | 1.10 |
| XFTP6D38-390 | 39.00 | 0.138 | 1.00 |
| XFTP6D38-470 | 47.00 | 0.155 | 0.95 |
| XFTP6D38-560 | 56.00 | 0.202 | 0.85 |
| XFTP6D38-680 | 68.00 | 0.234 | 0.75 |
| XFTP6D38-820 | 82.00 | 0.324 | 0.70 |
| XFTP6D38-101 | 100.00 | 0.358 | 0.65 |

(1). OCL Test Parameters: 10KHz, 0.1Vrms, 0.0Adc

(2). Values @ 20°C

(3). Inductance drop=35% typ At IDC

Inductance Tolerance: (J: \pm 5%, K: \pm 10%, M: \pm 20%, N: \pm 30%)

(4). Operating Temp.: -40 to +85°C

(5). Tape & Reel Packaging Standard, 1000 Pcs per 13"Reel

(6). RoHS Compliant Component