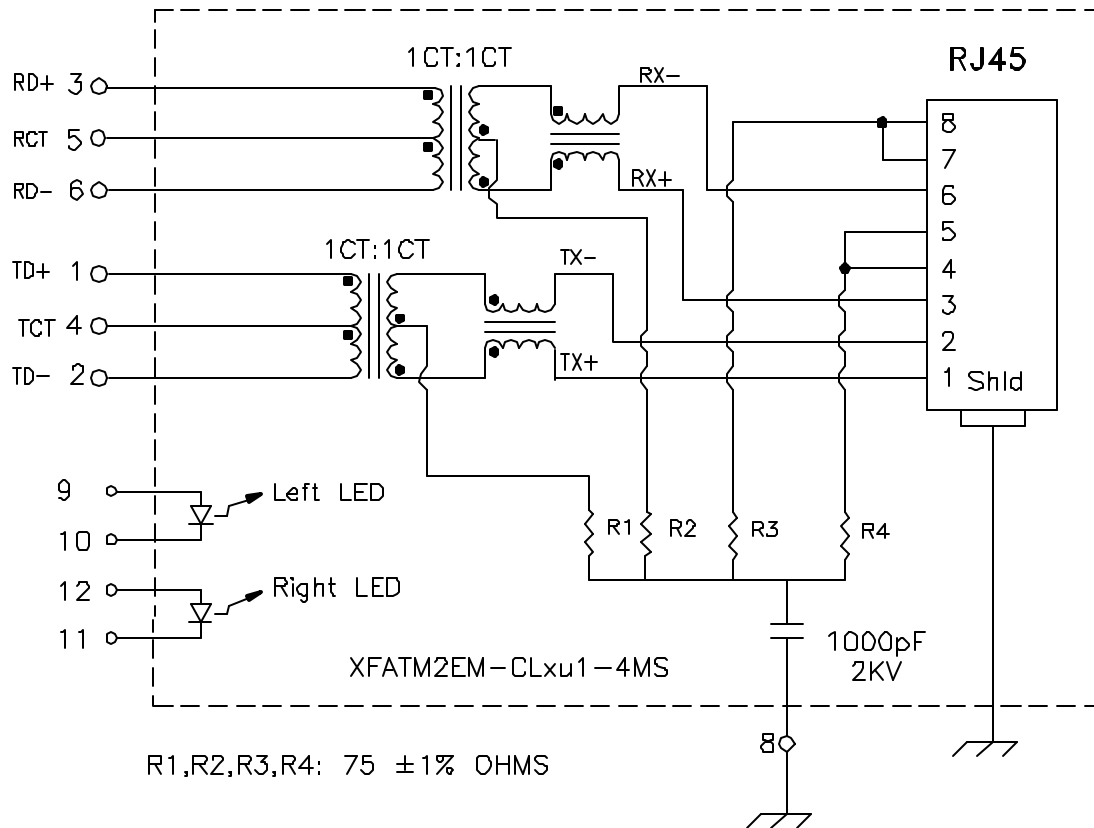


Schematic:



R1,R2,R3,R4: 75 ±1% OHMS

Electrical Specifications: @25°C

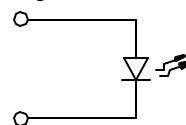
Isolation Voltage: 1500 Vrms (INPUT to OUTPUT)
 UTP SIDE OCL: 350uH Min @100KHz 100mV 8mADC
 Rise Time (10-90%), 2.5ns Typical
 Insertion Loss (300KHz-100MHz): -1.1dB Maximum
 Insertion Loss (100MHz-125MHz): -1.5dB Maximum
 Return Loss: -18dB Min. @30MHz
 -12dB Min. @80MHz
 Crosstalk:
 300KHz-60MHz -40dB Typical
 60MHz-100MHz -38dB Typical
 Common Mode to Differential Mode Rejection:
 300KHz-60MHz -45dB Typ (Tx) / -40dB Typ (Rx)
 60MHz-100MHz -40dB Typ (Tx) / -35dB Typ (Rx)

Complete the Combo P/N as follows:

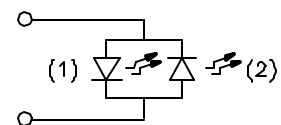
Replace 'x' & 'u' in the part number with one of the LED color letters:
 Y=Yellow
 G=Green
 A=Amber
 R=Red
 C=Green(1)/Amber(2) Bicolor
 D=Amber(1)/Green(2) Bicolor
 M=Green(1)/Yellow(2) Bicolor
 N=Yellow(1)/Green(2) Bicolor
 P=Red(1)/Green(2) Bicolor
 Q=Green(1)/Red(2) Bicolor

'x' = Left LED Color
 'u' = Right LED Color

Single Color LED:



Bi-Color LED:

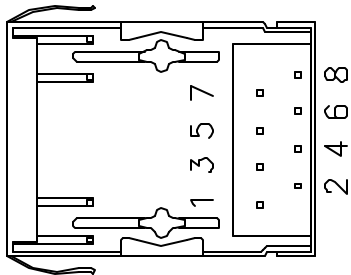
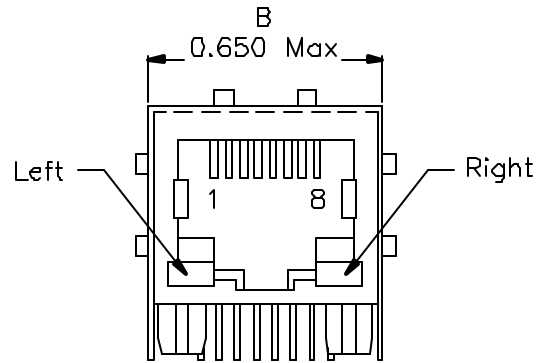
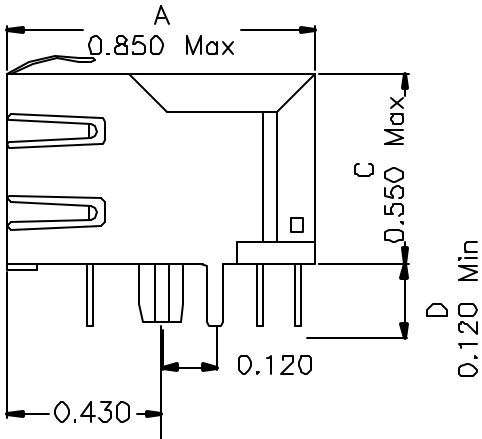
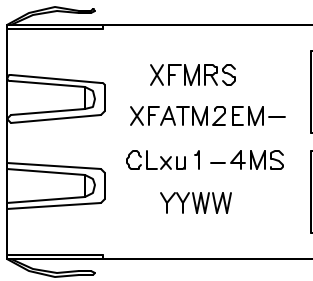


PRELIMINARY

DOC. REV A/3

XFMRs Inc.	Title: SINGLE PORT COMBO		
	UNLESS OTHERWISE SPECIFIED TOLERANCES: .xxx ±0.010 Dimensions in Inch	XFATM2EM-CLxu1-4MS	REV. A
		DWN. Kang Chen	Oct-09-03
		CHK. YK Liao	Oct-09-03
SHEET 1 OF 2	APP. MS	Oct-09-03	

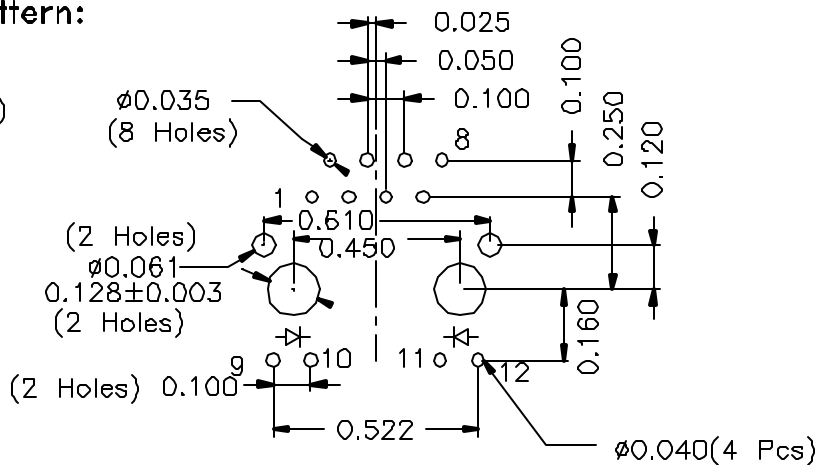
Mechanical Dimensions:



(BOTTOM VIEW)

Mounting Pattern:

(COMP SIDE)



PRELIMINARY

DOC. REV: A/3

XFMR5 Inc.		Title: Mechanical Dimensions For CLxu1-4MS Series	
UNLESS OTHERWISE SPECIFIED TOLERANCES: .xxx ±0.010 Dimensions in Inch	P/N: XFATM2EM-CLxu1-4MS	REV A	
	DWN.	Kang Chen	Oct-09-03
SHEET 2 OF 2	CHK.	YK Liao	Oct-09-03
	APP.	MS	Oct-09-03