

PLEASE CHECK WWW.MOLEX.COM FOR LATEST PART INFORMATION

Part Number: [0495040206](#)
Status: **Active**
Description: PT Bulb Socket Single Housing Assembly, Type A, White

Documents:

[3D Model](#) [Product Specification PS-49504-001 \(PDF\)](#)
[Drawing \(PDF\)](#) [RoHS Certificate of Compliance \(PDF\)](#)

General

Product Family	Other Sockets
Series	49504
Comments	A-Type
Component Type	Socket
Product Name	Bulb Socket

Physical

Circuits (Loaded)	2
Circuits (maximum)	2
Color - Resin	White
Durability (mating cycles max)	30
Entry Angle	Vertical (Top Entry)
Keying to Mating Part	None
Material - Metal	Phosphor Bronze
Material - Resin	Nylon
PCB Locator	No
PCB Retention	N/A
Packaging Type	Bag
Pitch - Mating Interface (in)	0.000 In
Pitch - Mating Interface (mm)	0.00 mm
Pitch - Term. Interface (in)	0.000 In
Pitch - Term. Interface (mm)	0.00 mm
Temperature Range - Operating	-40°C to +80°C
Termination Interface: Style	Through Hole

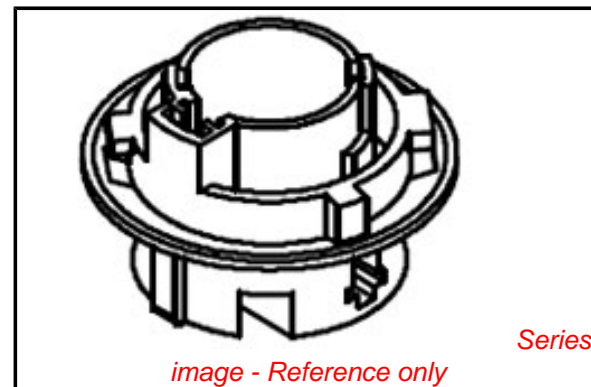
Electrical

Current - Maximum per Contact	1A
Voltage - Maximum	12V

Material Info

Reference - Drawing Numbers

Product Specification	PS-49504-001
Sales Drawing	SD-49504-001



EU RoHS

**ELV and RoHS
Compliant**
REACH SVHC
 Not Reviewed
**Halogen-Free
Status**

China RoHS



**Need more information on product
environmental compliance?**

Email productcompliance@molex.com
 For a multiple part number RoHS Certificate of
 Compliance, [click here](#)

Please visit the [Contact Us](#) section for any
 non-product compliance questions.

Search Parts in this Series

[49504Series](#)

Mates With

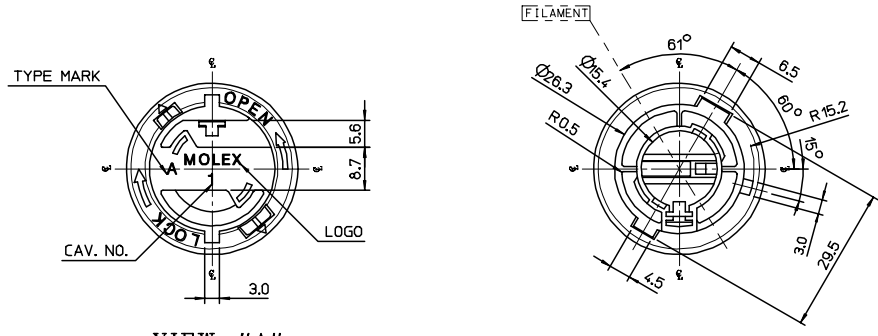
Lamp

Use With

[35438-8000](#) , [35439-8000](#)

NOTES:

NO.	DESCRIPTION	MATERIAL	ENG. NO.	REMARK
1	SINGLE SOCKET- A TYPE	POLYAMIDE(PA66)	49504-020*	LCL=35mm
2	POSITIVE TERMINAL	PHOSPHOR BRONZE	35438-8000	UNPLATED
3	EARTH TERMINAL	PHOSPHOR BRONZE	35439-8000	UNPLATED

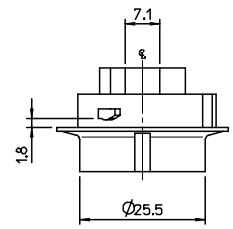
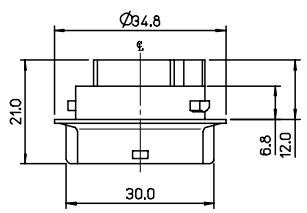


VIEW "A"

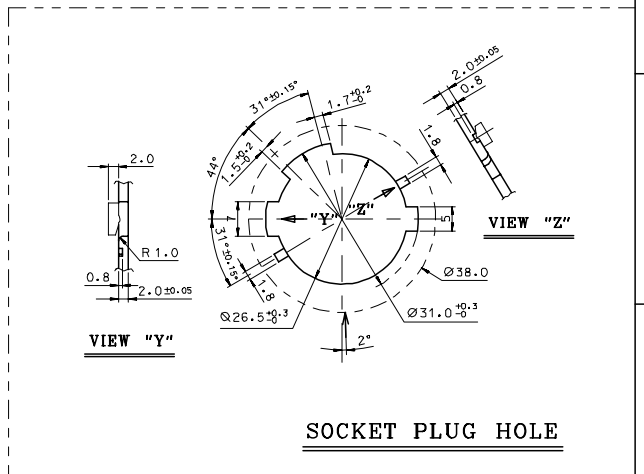
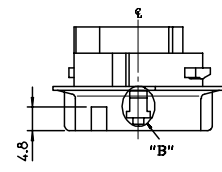
MXX SERIES NO. 49504 - * * * *
 SOCKET COLOR:
 0: NATURAL
 1: BLACK
 2: RED
 3: YELLOW
 4: BLUE
 5: GRAY
 6: WHITE
 7: BROWN
 O: ON THE MARKET

CIRCUIT NO. _____

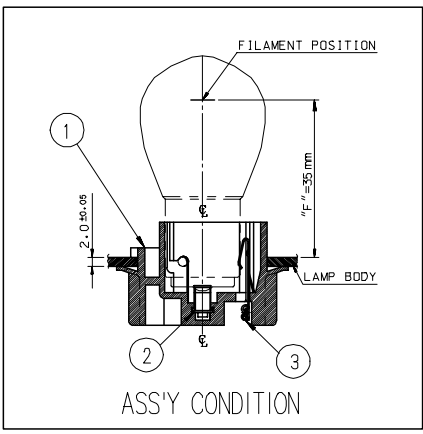
0: 'A' TYPE
 1: 'B' TYPE
 2: 'C' TYPE
 3: 'EC' TYPE
 4: 'D' TYPE



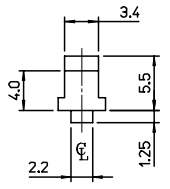
↑
"A"



SOCKET PLUG HOLE



ASS'Y CONDITION



DETAIL "B"
SCALE 2:1

CHANGED OF NOTES EC NO: KOR2008-0095 DRWNER:KIM 2007/11/29 CHKDR:BCYOON 2007/11/30 APPR:YUNSIKKIM 2007/11/30	QUALITY SYMBOLS ▽=0 ▽=0	GENERAL TOLERANCES (UNLESS SPECIFIED)		DIMENSION STYLE MM ONLY		SCALE 1:1	DESIGN UNITS METRIC	THIRD ANGLE PROJECTION			
		4 PLACES ± --- ± --- 3 PLACES ± --- ± --- 2 PLACES ± 0.2 ± --- 1 PLACE ± 0.3 ± ---	mm INCH	DRAWN BY SMK IM	DATE 2004/05/12	TITLE NON-SEALED BULB SOCKET SINGLE HOUSING-A TYPE (LCL=35MM)					
		ANGULAR ± 1 °		CHECKED BY BCYOON	DATE 2004/05/12	MOLEX INCORPORATED					
		DRAFT WHERE APPLICABLE MUST REMAIN WITHIN DIMENSIONS		APPROVED BY CWLEE	DATE 2004/05/12	MATERIAL NO. 49504020*	DOCUMENT NO. SD-49504-001	SHEET NO. 1 OF 1			