



HS9812R-PPM

PPM MULTIPLEX RECEIVER/DECODER

GENERAL DESCRIPTION

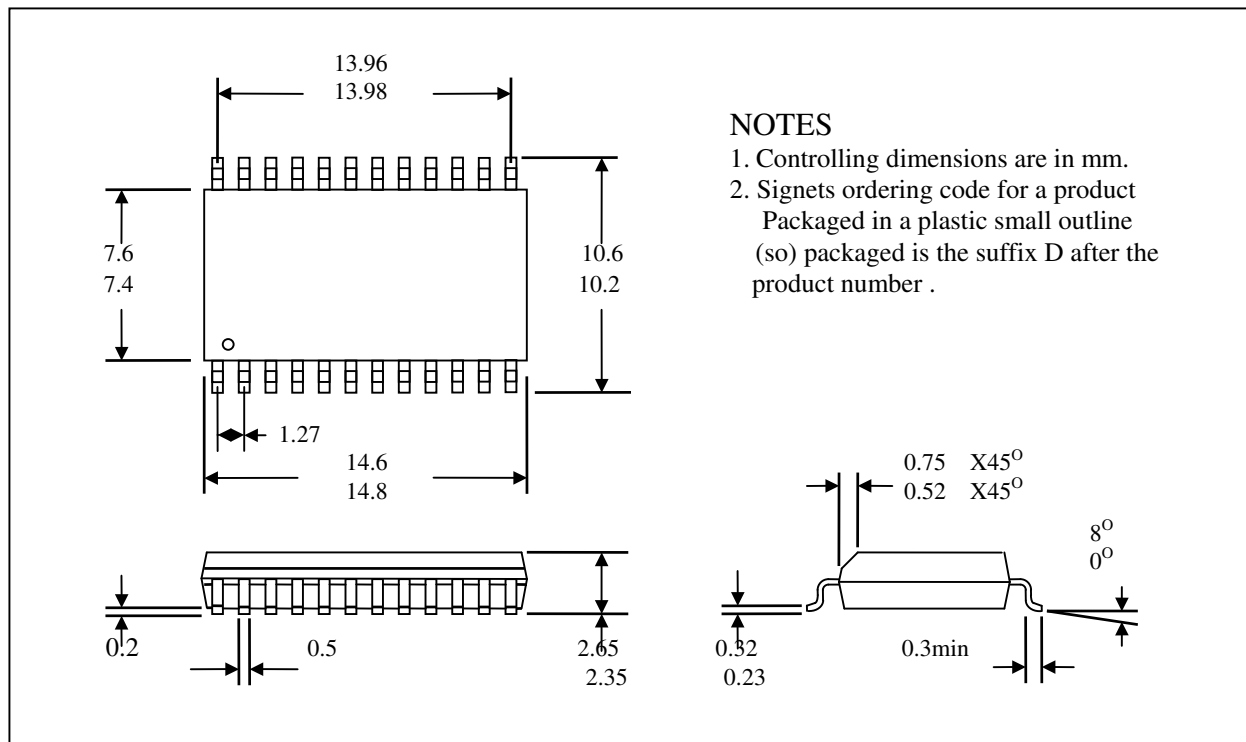
The hs9812 is a CMOS integrated circuit used for the (pulse-position-modulation) PPM stereo demodulator.

It is designed for use in 2~3v infrared cordless headphones systems.

FEATURE:

- Low voltage and low power consumption.
- Low power dissipation ($I_{dd}=1\text{mA}(\text{max.})$ at $t_a=25^\circ\text{C}.$)
- Wide operating voltage range ($V_{dd}=2 \sim 5\text{v}$)
- Free adjustment for PPM detector.
- No RF coils and detects coil.

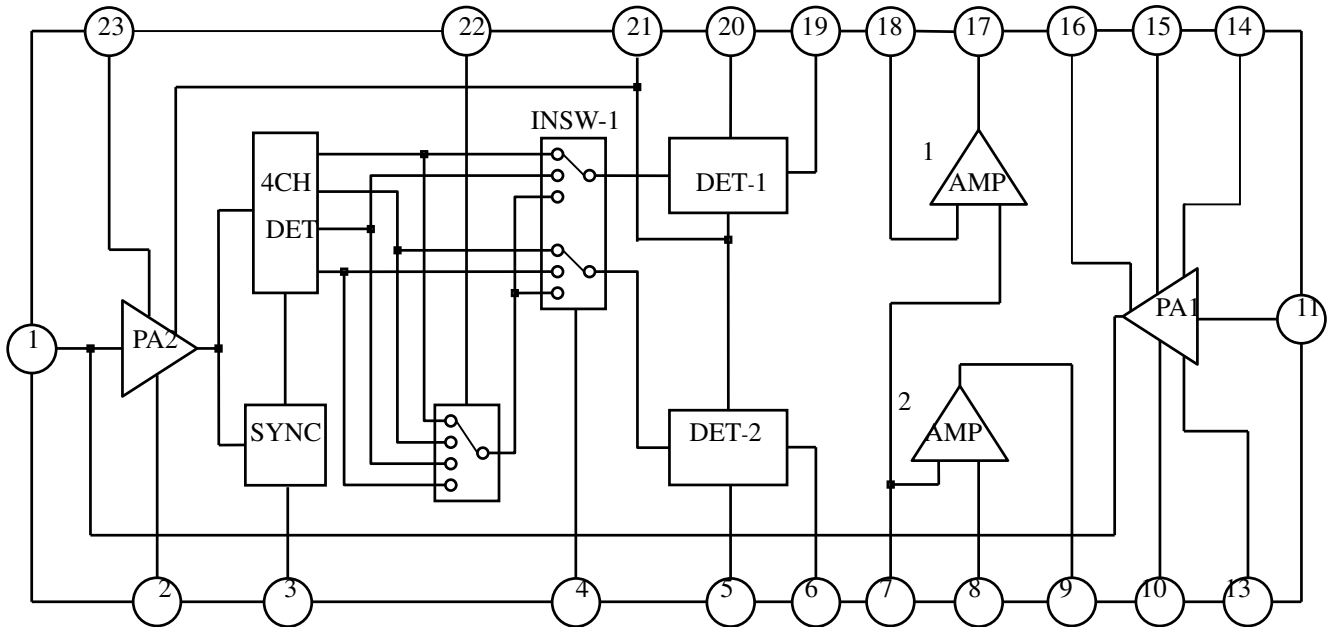
PACKAGE OUTLINES



HS9812 : 24-lead DIL ; plastic (with internal heat spreader) (SOT146EE7) .

HS9812S:24-lead mini-pack ; plastic (SOP24 ; SOT163A) .

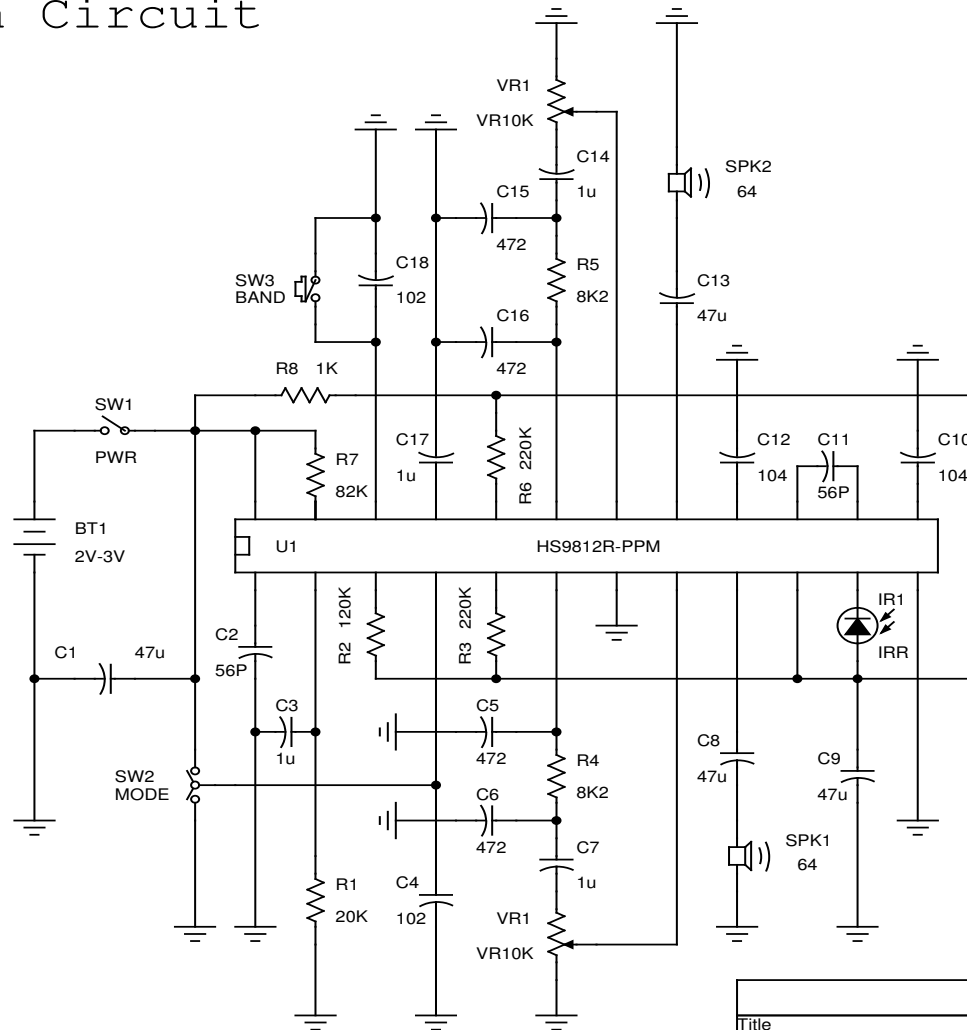
Block Diagram



Pin Description

NO	NAME	DESCRIPTION	NO	NAME	DESCRIPTION
1	NBYP	NOISE BYPASS	13	AGC2	AGC AC BYPASS
2	MUTE1	MUTE LEVEL CONTROL	14	CAP I	INPUT PIN IR AMP
3	SYNC	SYNC RESISTOR ADJ	15	CAP O	OUTPUT PIN IR AMP
4	MODE	MODE CONTROL	16	AGC1	AGC LOW PASS FILTER
5	DET	DET(1) RESISTOR	17	OUT2	AMP OUTPUT(2)
6	DEOUT	DET1 OUTPUT	18	OP-IN	OP AMP INPUT(-)
7	OP+IN	OP AMP INPUT(+)	19	DEOUT	DET OUTPUT(2)
8	OP-IN	OP AMP INPUT(-)	20	DET	DET RESISTOR(2)
9	OUT 1	AMP OUTPUT(1)	21	MUTE2	MUTE OUTPUT
10	VDD2	AC BYPASS VDD(2)	22	INSW	SELECT CHANNEL
11	IR IN	IR SIGNAL IN	23	ILC	LEVEL CONTROL
12	GND	POWER GROUND	24	VDD	POWER SUPPLY

Application Circuit



Title		
Cosmosic 鴻宇半導體股份有限公司		
Size	Document Number	Rev
A	HS9812R-PPM	DESIGN:黃鵬宇 1
Date:	Tuesday, March 07, 2000	Sheet 1 of 1



鴻宇半導體股份有限公司
COSMOSIC SEMICONDUCTOR CO.

TEL:(02)8211-1396 FAX:(02)8211-1360