

PLEASE CHECK WWW.MOLEX.COM FOR LATEST PART INFORMATION

Part Number: [0016021117](#)
Status: **Active**
Overview: [cgrid_sl_products](#)
Description: SL™ Crimp Terminal, Series 71851, Female, with 0.76µm (30µ") Selective Gold (Au) Plated Contact, 24-30 AWG, Bag

Documents:

[Drawing \(PDF\)](#) [Product Specification PS-71851 \(PDF\)](#)
[Product Specification PS-70400 \(PDF\)](#) [RoHS Certificate of Compliance \(PDF\)](#)

General

Product Family Crimp Terminals
 Series [71851](#)
 Crimp Quality Equipment Yes
 Overview [cgrid_sl_products](#)
 Product Name SL™

Physical

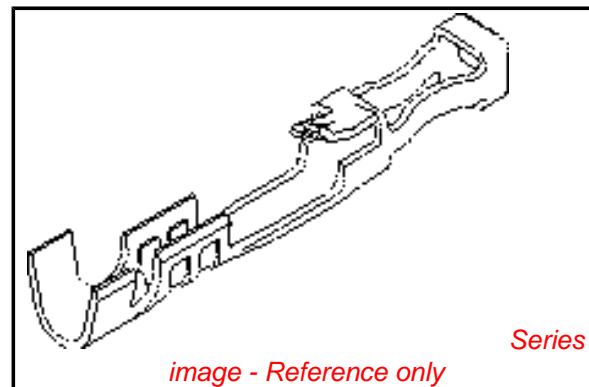
Gender Female
 Material - Metal Phosphor Bronze
 Material - Plating Mating Gold
 Material - Plating Termination Tin
 Packaging Type Bag
 Plating min: Mating (µin) 30
 Plating min: Mating (µm) 0.76
 Plating min: Termination (µin) 75
 Plating min: Termination (µm) 1.88
 Termination Interface: Style Crimp or Compression
 Wire Insulation Diameter 1.52mm (.060") max.
 Wire Size AWG 24, 26, 28, 30
 Wire Size mm² N/A

Material Info

Old Part Number 71851-0208

Reference - Drawing Numbers

Packaging Specification PK-70873-0822
 Product Specification PS-70400, PS-71851
 Sales Drawing SD-71851-0208



EU RoHS

ELV and RoHS Compliant
REACH SVHC
Contains SVHC: No
Halogen-Free Status

China RoHS



Need more information on product environmental compliance?

Email productcompliance@molex.com
 For a multiple part number RoHS Certificate of Compliance, [click here](#)

Please visit the [Contact Us](#) section for any non-product compliance questions.

Search Parts in this Series

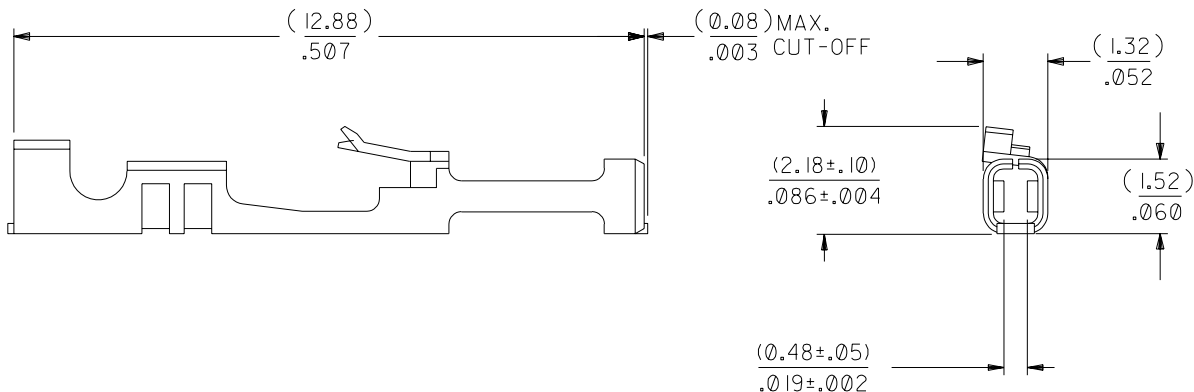
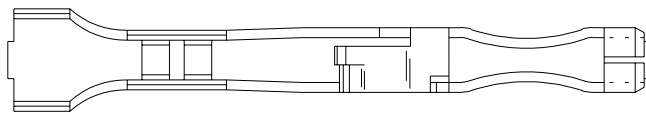
[71851Series](#)

Application Tooling | [FAQ](#)

Tooling specifications and manuals are found by selecting the products below. Crimp Height Specifications are then contained in the Application Tooling Specification document.

Global

Description	Product #
Hand Crimp Tool, UL0638118800 Approved	
Insertion Tool	0011020022



NOTES:

1. TERMINAL TO BE USED IN HOUSINGS 70066-**** AND 70450-****
2. REFER TO PRODUCT SPECIFICATION PS-71851
3. REFER TO MOLEX OPERATIONS AND SERVICE MANUAL FOR CRIMP DETAILS
4. TERMINAL TO BE USED WITH (0.64)/.025 SQUARE PINS
5. TERMINAL TO BE USED WITH 24-30 AWG STRANDED WIRE WITH (1.52)/.060 MAX. DIA. INSULATION
6. TERMINALS SUPPLIED LOOSE PER DRAWING PK-70873-0822

PLATING:

.000030 MINIMUM GOLD PLATE IN SELECT AREA WITH .000075 MINIMUM TIN PLATE IN SELECT AREA OVER NICKEL PLATE OVERALL

*THE PRIMARY SHIPPING CARTON WILL BE LABELED "COMPLIANT TO RoHS DIRECTIVE 2002/95/EC AND ELV ANNEX II OF DIRECTIVE 2000/53/EC". CARTONS WITHOUT THIS LABEL MAY CONTAIN PRODUCT WITH LEAD.

		C1		REVISED PER ECR #U70928 MCGRATH 97/06/26	DIMENSIONS SHOWN (METRIC) INCH UNLESS OTHERWISE SPECIFIED TOLERANCES: ANGULAR ± 1/2° <table border="1"> <thead> <tr> <th></th> <th>INCH</th> <th>METRIC</th> </tr> </thead> <tbody> <tr> <td>3 PLACE</td> <td>± .010</td> <td>---</td> </tr> <tr> <td>2 PLACE</td> <td>± .014</td> <td>± 0.25</td> </tr> <tr> <td>1 PLACE</td> <td>---</td> <td>± 0.35</td> </tr> </tbody> </table> DRAFT WHERE APPLICABLE MUST REMAIN WITHIN DIMENSIONS DRWG. BY: MJM CHK'D. BY: MJM APP'D. BY: WAZ SCALE: 10:1		INCH	METRIC	3 PLACE	± .010	---	2 PLACE	± .014	± 0.25	1 PLACE	---	± 0.35	▽ = 0 ▼ = 0 REVISE ONLY ON CAD SYSTEM TITLE: TERMINAL-BOX/CRIMP HIGH FORCE CONTACT
	INCH	METRIC																
3 PLACE	± .010	---																
2 PLACE	± .014	± 0.25																
1 PLACE	---	± 0.35																
	D	LEAD FREE UCP2004-1769 RWHITE 04/03/24	C	REVISE PER ECR# U82219 11-07-88 MJM/MGB	MOLEX INCORPORATED SHEET NO. 1 DATE 03/25/88 LITTLE,ILL. 60532 U.S.A. PART NO. 016-02-1117 DRWG. NO. SD-71851-0208													
	C2	REVISED ECR #U80270 MCGRATH 97/07/31	B	REVISE PER ECR #U80064 3/25/88 MJM	FILE NAME: S71851X26 THIS DRAWING CONTAINS INFORMATION THAT IS PROPRIETARY TO MOLEX INC. AND SHOULD NOT BE USED WITHOUT WRITTEN PERMISSION.													
	LTR.	REVISIONS	LTR.	REVISIONS	DIV. DA SIZE B													