

**PLEASE CHECK WWW.MOLEX.COM FOR LATEST PART INFORMATION**

**Part Number:** **0016021124**  
**Status:** **Active**  
**Overview:** [cgrid\\_sl\\_products](#)  
**Description:** SL™ Crimp Terminal, Series 71851, Female, with 0.38µm (15µ") Selective Gold (Au) Plated Contact, 22-24 AWG, Reel

**Documents:**

[Drawing \(PDF\)](#) [Product Specification PS-71851 \(PDF\)](#)  
[Product Specification PS-70400 \(PDF\)](#) [RoHS Certificate of Compliance \(PDF\)](#)

**General**

Product Family Crimp Terminals  
 Series [71851](#)  
 Crimp Quality Equipment Yes  
 Overview [cgrid\\_sl\\_products](#)  
 Product Name SL™

**Physical**

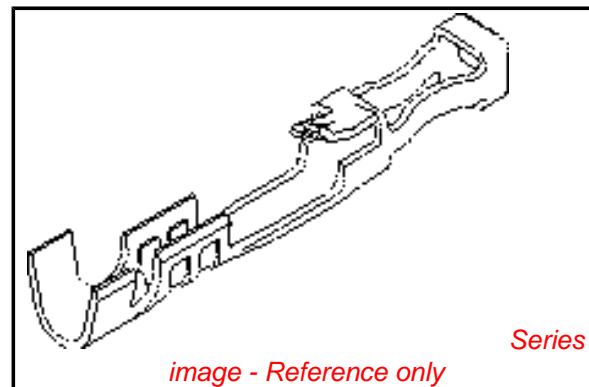
Gender Female  
 Material - Metal Phosphor Bronze  
 Material - Plating Mating Gold  
 Material - Plating Termination Tin  
 Packaging Type Reel  
 Plating min: Mating (µin) 15  
 Plating min: Mating (µm) 0.38  
 Plating min: Termination (µin) 75  
 Plating min: Termination (µm) 1.88  
 Termination Interface: Style Crimp or Compression  
 Wire Insulation Diameter 1.63mm (.064") max.  
 Wire Size AWG 22, 24  
 Wire Size mm² N/A

**Material Info**

Old Part Number 71851-0024

**Reference - Drawing Numbers**

Packaging Specification PK-70873-1300  
 Product Specification PS-70400, PS-71851  
 Sales Drawing SD-71851-0024



**EU RoHS**

**ELV and RoHS Compliant**  
**REACH SVHC Contains SVHC: No**  
**Halogen-Free Status**

**China RoHS**



**Halogen-Free**

**Need more information on product environmental compliance?**

Email [productcompliance@molex.com](mailto:productcompliance@molex.com)  
 For a multiple part number RoHS Certificate of Compliance, [click here](#)

Please visit the [Contact Us](#) section for any non-product compliance questions.

**Search Parts in this Series**

[71851Series](#)

**Application Tooling | [FAQ](#)**

*Tooling specifications and manuals are found by selecting the products below. Crimp Height Specifications are then contained in the Application Tooling Specification document.*

**Global**

Description	Product #
Hand Crimp Tool	<a href="#">0638118700</a>
FineAdjust™	<a href="#">0639003200</a>
Applicator for SL™ Crimp Terminals 20-24 AWG	
T2 Terminator	<a href="#">0639103200</a>
Tooling Die	
Insertion Tool	<a href="#">0011020022</a>

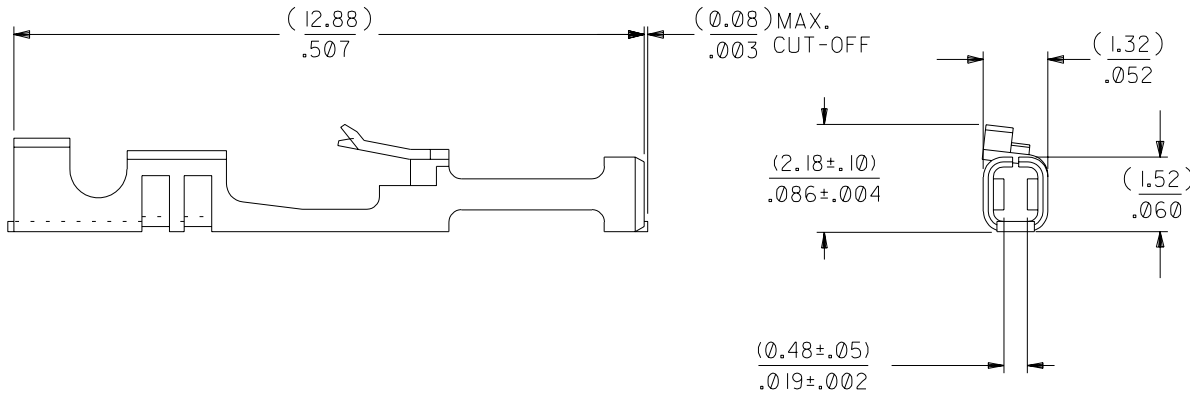
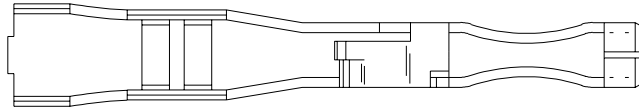
**NOTES:**

1. TERMINAL TO BE USED IN HOUSINGS 70066-\*\*\*\* AND 70450-\*\*\*\*
2. REFER TO PRODUCT SPECIFICATION PS-71851
3. REFER TO MOLEX OPERATIONS AND SERVICE MANUAL FOR CRIMP DETAILS
4. TERMINAL TO BE USED WITH (0.64)/.025 SQUARE PINS
5. TERMINAL TO BE USED WITH 22-24 AWG STRANDED WIRE WITH (1.63)/.064 MAX. DIA. INSULATION
6. TERMINALS SUPPLIED IN REEL FORM

**PLATING:**

.000015 MINIMUM GOLD PLATE IN SELECT AREA WITH .000075 MINIMUM TIN PLATE IN SELECT AREA OVER NICKEL PLATE OVERALL

\*THE PRIMARY SHIPPING CARTON WILL BE LABELED "COMPLIANT TO RoHS DIRECTIVE 2002/95/EC AND ELV ANNEX II OF DIRECTIVE 2000/53/EC". CARTONS WITHOUT THIS LABEL MAY CONTAIN PRODUCT WITH LEAD.



				B		REVISE PER ECR# U82219 11-07-88 MJM/MGB		DIMENSIONS SHOWN (METRIC) INCH UNLESS OTHERWISE SPECIFIED TOLERANCES: ANGULAR ± 1/2°		▽ = 0    ▼ = 0    REVISE ONLY ON CAD SYSTEM	
		C		A		FINAL RELEASE PER ERO #26846 7/14/88 MJM		INCH    METRIC		TITLE TERMINAL-BOX/CRIMP HIGH FORCE CONTACT	
		B1		3		REVISE PER ERO #26254 3/25/88 MJM		3 PLACE ± .010    --- 2 PLACE ± .014    ± 0.25 1 PLACE    ---    ± 0.35		MOLEX INCORPORATED    SHEET NO.    DATE LISLE, ILL.    60532    U.S.A.    1    03/25/88	
		LTR.		REVISIONS		LTR.		DRAFT WHERE APPLICABLE MUST REMAIN WITHIN DIMENSIONS		PART NO. 016-02-1124    DRWG. NO. SD-71851-0024	
								DRWG. BY: MJM    CHK'D. BY: MJM		FILE NAME S71851X5	
								APP'D. BY: WAZ    SCALE 10: 1		THIS DRAWING CONTAINS INFORMATION THAT IS PROPRIETARY TO MOLEX INC. AND SHOULD NOT BE USED WITHOUT WRITTEN PERMISSION.	
										DIV.    SIZE DA    B	