

**PLEASE CHECK WWW.MOLEX.COM FOR LATEST PART INFORMATION**

**Part Number:** [0545616401](#)  
**Status:** **Active**  
**Overview:** [qf50](#)  
**Description:** 2.54mm (.100") Pitch QF-50™ Flat Cable Strain Relief, 64 Circuits

**Documents:**

[Drawing \(PDF\)](#) [Product Specification PS-54559-005 \(PDF\)](#)  
[Product Specification PS-54559-004 \(PDF\)](#) [RoHS Certificate of Compliance \(PDF\)](#)

**General**

Product Family	Accessories
Series	<a href="#">54561</a>
Application Tooling Part Link	<a href="#">572525100</a>
Component Type	Strain Relief
Overview	<a href="#">qf50</a>
Product Name	QF-50™

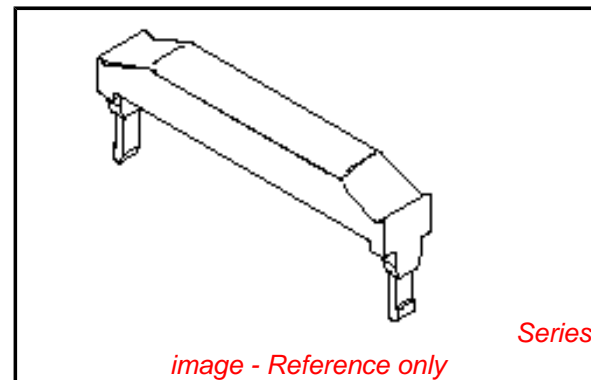
**Physical**

Circuits (Loaded)	64
Gender	N/A
Packaging Type	Tray
Temperature Range - Operating	-40°C to +85°C

**Material Info**

**Reference - Drawing Numbers**

Product Specification	PS-54559-004, PS-54559-005, RPS-54559-008, RPS-54559-010, RPS-54559-012, RPS-54559-014, RPS-54559-015, RPS-54559-016, RPS-54559-017
Sales Drawing	SD-54561-002



**EU RoHS**

**ELV and RoHS  
Compliant**  
**REACH SVHC  
Contains SVHC: No**  
**Halogen-Free  
Status  
Not Reviewed**

**China RoHS**



**Need more information on product  
environmental compliance?**

Email [productcompliance@molex.com](mailto:productcompliance@molex.com)  
For a multiple part number RoHS Certificate of Compliance, [click here](#)

Please visit the [Contact Us](#) section for any non-product compliance questions.

**Search Parts in this Series**

[54561Series](#)

**Use With**

[54560](#) Upper Housing, [54559](#) Receptacle Housing

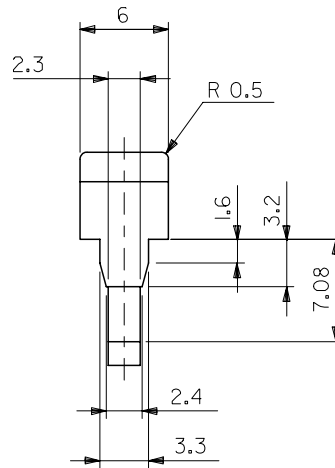
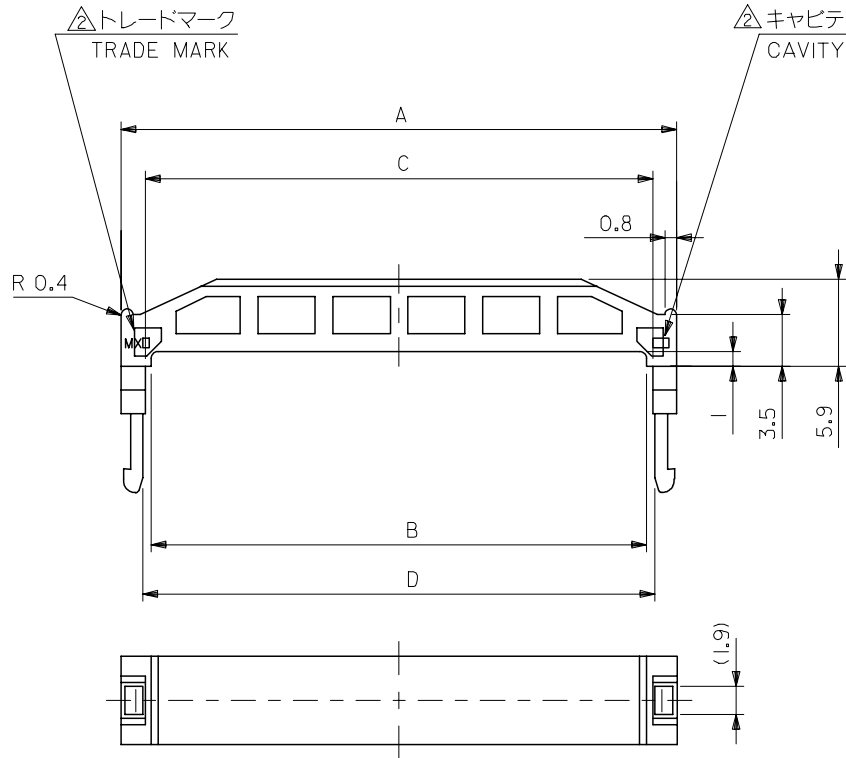
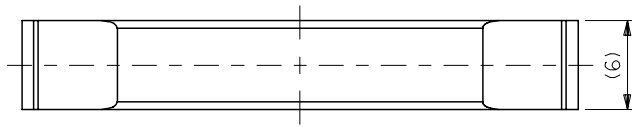
**Application Tooling | [FAQ](#)**

*Tooling specifications and manuals are found by selecting the products below. Crimp Height Specifications are then contained in the Application Tooling Specification document.*

**Japan**

Description	Product #
Clamp Tool For MIL IDT Connector	<a href="#">0572525100</a>

10 9 8 7 6 5 4 3 2 1



注記  
NOTES

- 1. 適合ハウジングアッセンブリ : 54559-\*\*\*1I, 54559-\*\*\*4I  
 APPLICABLE UPPER HSG ASS'Y : 54559-\*\*\*1I, 54559-\*\*\*4I  
 適合アッパーハウジング : 54560-\*\*\*0I  
 APPLICABLE STRAIN RELIEF : 54560-\*\*\*0I

△ トレードマーク : MX プラス 製造工場を示すアルファベットにて構成  
 但し、\* J \* は JAPAN を示す。(例 MX J)

キャビティ番号 : 数字で表示。  
 金型番号 : アルファベットにて構成。

FORMED BY MX AND ALPHABET WHICH MEAN  
 THE MANUFACTORY, BUT "J" MEANS JAPAN. (TO TRADE MARK)  
 (e.g. MXJ)  
 AND BY NUMBERS (TO CAVITY NO.)  
 AND BY ALPHABET (TO MOLD NO.)

82.91	82.61	81.81	85.85	54561-6401	64
77.83	77.53	76.73	80.77	54561-6001	60
65.13	64.83	64.03	68.07	54561-5001	50
52.43	52.13	51.33	55.37	54561-4001	40
44.81	44.51	43.71	47.75	54561-3401	34
39.73	39.43	38.63	42.67	54561-3001	30
34.65	34.05	33.55	37.59	54561-2601	26
27.03	26.73	25.93	29.97	54561-2001	20
21.95	21.65	20.85	24.89	54561-1601	16
19.41	19.11	18.31	22.35	54561-1401	14
14.33	14.03	13.23	17.27	54561-1001	10
D	C	B	A	MATERIAL NO.	CKT.

材料 MATERIAL	PBT , UL94V-0 (黒色) (COLOR BLACK)
仕上げ FINISH	— # —
適用電線範囲 WIRE RANGE	— # —
被覆外径 INS. RANGE	— # —

REVISED	2007/04/13
EC NO: J2007-2853	2007/04/13
DRWN: MABEI	2007/04/13
CHKD: YMAEDA	2007/04/13
APPR: NUKITA	2007/04/13
J	

GENERAL TOLERANCES (UNLESS SPECIFIED)	
10 UNDER	± 0.2
10 OVER 30 UNDER	± 0.25
30 OVER	± 0.3
ANGULAR	± 3 °
DRAFT WHERE APPLICABLE MUST REMAIN WITHIN DIMENSIONS	

DIMENSION STYLE MM ONLY	
DRAWN BY	DATE
SMATSUZAKI	'99/03/04
CHECKED BY	DATE
SKUNISHI	'03/08/06
APPROVED BY	DATE
TYAMAGUCHI	'03/08/06
MATERIAL NO.	
SEE CHART	
SIZE	A3

SCALE	3:1
DESIGN UNITS	METRIC
MODEL NO.	54561-***01
THIRD ANGLE PROJECTION	
TITLE	
2.54 FLAT CABLE CONN REC STRAIN RELIEF	
MOLEX MOLEX INCORPORATED	
DOCUMENT NO.	SD-54561-002
SHEET NO.	1 OF 1
THIS DRAWING CONTAINS INFORMATION THAT IS PROPRIETARY TO MOLEX INCORPORATED AND SHOULD NOT BE USED WITHOUT WRITTEN PERMISSION	