

PLEASE CHECK WWW.MOLEX.COM FOR LATEST PART INFORMATION

Part Number: [0039534166](#)
Status: **Active**
Description: 2.54mm (.100") Pitch QF-50™ Receptacle, Vertical, Dual Row, Unloaded Upper Housing, 0.1µm Gold Contact Plating, 16 Circuits

Documents:

[3D Model](#) [RoHS Certificate of Compliance \(PDF\)](#)
[Drawing \(PDF\)](#)

Agency Certification

UL E29179

General

Product Family Ribbon Cable / Wire Trap Connectors
 Series [5320](#)
 Comments Unloaded Upper Housing
 Component Type Housing
 Glow-Wire Compliant No
 Product Name QF-50™

Physical

Circuits (Loaded) 16
 Color - Resin Black
 Durability (mating cycles max) 500
 Entry Angle Vertical
 Flammability 94V-0
 Lock to Mating Part Yes
 Material - Metal Phosphor Bronze
 Material - Plating Mating Gold
 Material - Plating Termination Tin
 Number of Rows 2
 PCB Locator No
 PCB Retention None
 Packaging Type Tray
 Pitch - Mating Interface (in) 0.050 In
 Pitch - Mating Interface (mm) 1.27 mm
 Pitch - Term. Interface (in) 0.100 In
 Pitch - Term. Interface (mm) 2.54 mm
 Plating min: Mating (µin) 0.004
 Plating min: Mating (µm) 0.10
 Polarized to Mating Part Yes
 Stackable No
 Temperature Range - Operating -40°C to +105°C
 Wire Insulation Diameter 1.14mm (.045") max.
 Wire Size AWG 26, 28
 Wire/Cable Type Ribbon Cable

Electrical

Current - Maximum per Contact 1A
 Voltage - Maximum 500V AC

Material Info

Old Part Number 5320-16AGS17F

Reference - Drawing Numbers

Sales Drawing SD-5320-001, SD-5320-002, SD-5320-007

EU RoHS

ELV and RoHS Compliant

REACH SVHC

Not Reviewed

Halogen-Free

Status

Not Reviewed

China RoHS



Need more information on product environmental compliance?

Email productcompliance@molex.com
 For a multiple part number RoHS Certificate of Compliance, [click here](#)

Please visit the [Contact Us](#) section for any non-product compliance questions.

Search Parts in this Series

[5320Series](#)

Mates With

[5330](#) , [5340](#) , [5332](#) , [5342](#)

Use With

[5328](#) Strain Relief

This document was generated on 04/15/2010

PLEASE CHECK WWW.MOLEX.COM FOR LATEST PART INFORMATION

10 9 8 7 6 5 4 3 2 1

F

E

D

C

B

A

F

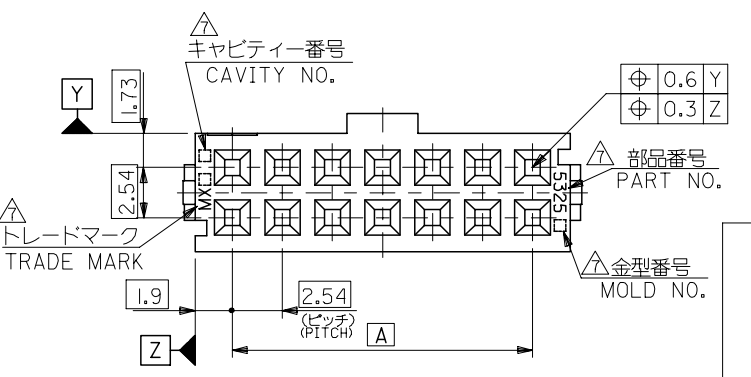
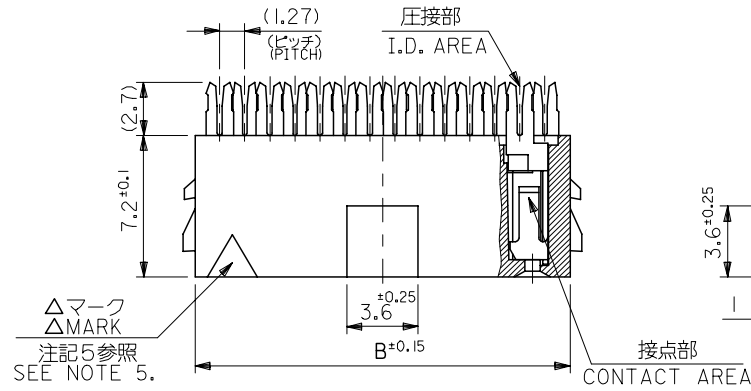
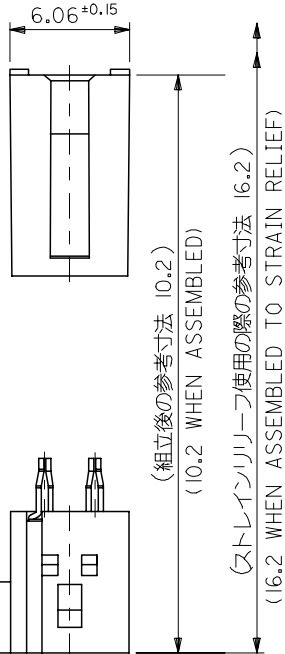
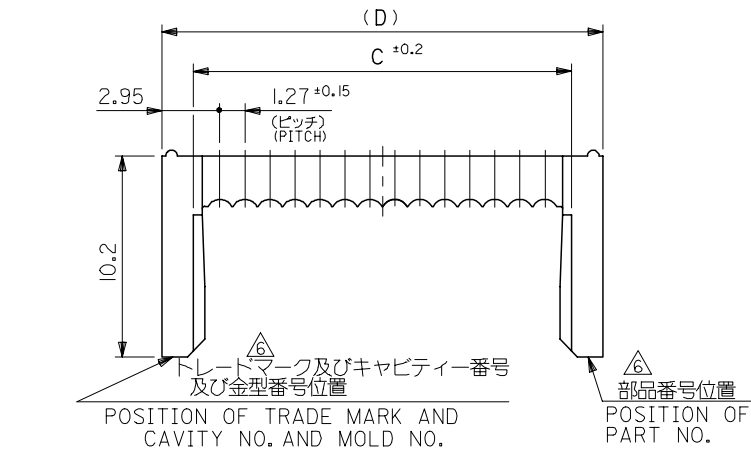
E

D

C

B

A



コード: CODE:*	△マークの色 MARK COLOR	接点部メッキ CONTACT AREA PLATE	圧接部メッキ I. D. AREA PLATE	下地メッキ UNDER PLATE
LEAD FREE G1	白 WHITE	金 GOLD 0.1μm MIN.	金 GOLD 0.1μm MIN.	ニッケル NICKEL 1μm MIN.
LEAD FREE G2	橙 ORANGE	金 GOLD 0.76μm MIN.		
LEAD FREE G3	緑 GREEN	金 GOLD 0.25μm MIN.		
GS1	黄 YELLOW	金 GOLD 0.1μm MIN.	半田 TIN-LEAD 1μm MIN.	
GS2	茶 BROWN	金 GOLD 0.76μm MIN.		
GS3	青 BLUE	金 GOLD 0.25μm MIN.		
GS4	金 GOLD	金 GOLD 1.27μm MIN.		
LEAD FREE GS17F	黄 YELLOW	金 GOLD 0.1μm MIN.	錫 TIN 1μm MIN.	
LEAD FREE GS27F	茶 BROWN	金 GOLD 0.76μm MIN.		
LEAD FREE GS37F	青 BLUE	金 GOLD 0.25μm MIN.		
LEAD FREE GS47F	金 GOLD	金 GOLD 1.27μm MIN.		
LEAD FREE T2	黒 BLACK	銅 TIN 0.9μm MIN. リフロー処理 (前メッキ) REFLOW (PRE-PLATED)		

60	73.66	77.46	77.63	80.83
50	60.96	64.76	64.93	68.13
40	48.26	52.06	52.23	55.43
34	40.64	44.44	44.61	47.81
30	35.56	39.36	39.53	42.73
26	30.48	34.28	34.45	37.65
20	22.86	26.66	26.83	30.03
16	17.78	21.58	21.75	24.95
14	15.24	19.04	19.21	22.41
10	10.16	13.96	14.13	17.33
極数 NO. OF CKT.	A 寸法 DIM.A	B 寸法 DIM.B	C 寸法 DIM.C	D 寸法 DIM.D

REVISED EC NO: J2006-0712 DRW: A VANAGI MOTO 2005/10/03 CHK: D. TANAKA 2005/10/06 APPR: NUKITA 2005/10/14 A	GENERAL TOLERANCES (UNLESS SPECIFIED)		DIMENSION STYLE MM ONLY		SCALE 4:1	DESIGN UNITS METRIC	THIRD ANGLE PROJECTION	
	10 UNDER	±0.2	DRAWN BY	DATE	TITLE			
	10 OVER 30 UNDER	±0.25	SMATSUZAKI	1997/04/23	QIK FLECS FEMALE ASSY			
	30 OVER	±0.3	CHECKED BY	DATE	MOLEX MOLEX INCORPORATED			
	ANGULAR	±3 °	KTOJO	1997/10/13	MATERIAL NO. DOCUMENT NO. SHEET NO.			
DRAFT WHERE APPLICABLE MUST REMAIN WITHIN DIMENSIONS		SEE SHEET 2 OF 2		SD-5320-001		1 OF 2		
THIS DRAWING CONTAINS INFORMATION THAT IS PROPRIETARY TO MOLEX INCORPORATED AND SHOULD NOT BE USED WITHOUT WRITTEN PERMISSION								

注記 NOTES

1. 材料 ハウジング : ガラス繊維 15% 入り PBTP (UL94V-0), 黒色
 MATERIAL HOUSING : PBTP (15%G.F.), UL94V-0, BLACK
 TERMINAL : PHOS.BRO.

2. 適用電線 : I.27ピッチリボンケーブル 被覆外径 : φ1.14 MAX.
 単線 : AWG#26 ~ #28 (芯線7本構成)
 FOR USE WITH AWG#26 & #28 STRANDED WIRE
 (CONSISTS OF 7 CONDUCTORS) AND #28 WIRE.
 I.14 DIA. MAX. INSULATION RIBBON CABLE WITH I.27 CENTERS.

3. 適合ストレインリリーフ : 5328-N
 MATES WITH STRAIN RELIEF OF 5328 SERIES

4. 嵌合相手 : 5330,5332,5340,5342 シリーズ
 MATES WITH CONNECTOR SERIES OF 5330,5332,5340 & 5342

5. 使用符号の説明 LEGEND **5320 - N A * - ***

ベースナンバー
 BASE NUMBER
 ハウジングの色
 MATERIAL COLOR
 BLANK : BLACK
 GY : GRAY

△ トレードマーク: MX プラス1文字の製造工場を示すアルファベットにて構成
 但し、* J * は JAPANを示す。(例 MX J)
 キャビティ番号:1桁の数字で表示
 金型番号:アルファベット1文字にて構成。
 部品番号:5327と表示
 FORMED BY MX AND 1 MORE LETTER OF ALPHABET WHICH MEAN THE MANUFACTORY, BUT "J" MEANS JAPAN. (TO TRADE MARK) (e.g. MX J)
 AND BY 1 DIGIT NUMBER (TO CAVITY NO.)
 AND BY 1 LETTER OF ALPHABET (TO MOLD NO.)
 PART NO.: INDICATE 5327
 INDICATE THE SAME △, OTHERWISE ENG.NO.

39-53-5641	5320-64AGS37F-GY	39-53-5640	5320-64AGS27F-GY	39-53-4649	5320-64AGS17F-GY			39-53-3644	5320-64AGS37F	39-53-4647	5320-64AGS27F	39-53-4646	5320-64AGS17F	64
↑ -5601	↑ -60AGS37F-GY	↑ -5600	↑ -60AGS27F-GY	↑ -4609	↑ -60AGS17F-GY			↑ -3604	↑ -60AGS37F	↑ -4607	↑ -60AGS27F	↑ -4606	↑ -60AGS17F	60
	↓ -5501		↓ -5500		↓ -4509			↓ -3504	↓ -50AGS37F	↓ -4507	↓ -50AGS27F	↓ -4506	↓ -50AGS17F	50
								↑ -3444	↑ -44AGS37F					44
	↓ -5401		↓ -40AGS27F-GY		↓ -4409			↓ -3404	↓ -40AGS37F		↓ -4407		↓ -4406	40
	↓ -5341		↓ -34AGS27F-GY		↓ -4349		↓ -4348	↓ -3444	↓ -34AGS37F		↓ -4347		↓ -4346	34
	↓ -5301		↓ -30AGS27F-GY		↓ -4309			↓ -3304	↓ -30AGS37F		↓ -4307		↓ -4306	30
	↓ -5261		↓ -26AGS27F-GY		↓ -4269			↓ -3264	↓ -26AGS37F		↓ -4267		↓ -4266	26
	↓ -5201		↓ -20AGS27F-GY		↓ -4209			↓ -3204	↓ -20AGS37F		↓ -4207		↓ -4206	20
	↓ -5161		↓ -16AGS27F-GY		↓ -4169			↓ -3164	↓ -16AGS37F		↓ -4167		↓ -4166	16
	↓ -5141		↓ -14AGS27F-GY		↓ -4149			↓ -3144	↓ -14AGS37F		↓ -4147		↓ -4146	14
														12
39-53-5101	5320-10AGS37F-GY	39-53-5100	5320-10AGS27F-GY	39-53-4109	5320-10AGS17F-GY			39-53-3104	5320-10AGS37F	39-53-4107	5320-10AGS27F	39-53-4106	5320-10AGS17F	10
EDP NO.	ENG. NO.	EDP NO.	ENG. NO.	EDP NO.	ENG. NO.	EDP NO.	ENG. NO.	EDP NO.	ENG. NO.	EDP NO.	ENG. NO.	EDP NO.	ENG. NO.	NO. OF CKTS.

5320-NAGS37F-GY LEAD FREE	5320-NAGS27F-GY LEAD FREE	5320-NAGS17F-GY LEAD FREE	5320-NAGS47F LEAD FREE	5320-NAGS37F LEAD FREE	5320-NAGS27F LEAD FREE	5320-NAGS17F LEAD FREE								
39-51-7647	5320-64AGS3-GY	39-51-7646	5320-64AGS2-GY	39-51-7645	5320-64AGS1-GY			39-51-2642	5320-64AGS3	39-51-2641	5320-64AGS2	39-51-2640	5320-64AGS1	64
↑ -7607	↑ -60AGS3-GY	↑ -7606	↑ -60AGS2-GY	↑ -7605	↑ -60AGS1-GY			↑ -2602	↑ -60AGS3	↑ -2601	↑ -60AGS2	↑ -2600	↑ -60AGS1	60
	↓ -7507		↓ -7506		↓ -7505			↓ -2502	↓ -50AGS3	↓ -2501	↓ -50AGS2	↓ -2500	↓ -50AGS1	50
								↓ -2442	↓ -44AGS3					44
	↓ -7407		↓ -40AGS2-GY		↓ -7405			↓ -2402	↓ -40AGS3		↓ -2401		↓ -2400	40
	↓ -7347		↓ -34AGS2-GY		↓ -7345		↓ -8349	↓ -2342	↓ -34AGS3		↓ -2341		↓ -2340	34
	↓ -7307		↓ -30AGS2-GY		↓ -7305			↓ -2302	↓ -30AGS3		↓ -2301		↓ -2300	30
	↓ -7267		↓ -26AGS2-GY		↓ -7265		↓ -8269	↓ -2262	↓ -26AGS3		↓ -2261		↓ -2260	26
	↓ -7207		↓ -20AGS2-GY		↓ -7205			↓ -2202	↓ -20AGS3		↓ -2201		↓ -2200	20
	↓ -7167		↓ -16AGS2-GY		↓ -7165			↓ -2162	↓ -16AGS3		↓ -2161		↓ -2160	16
	↓ -7147		↓ -14AGS2-GY		↓ -7145			↓ -2142	↓ -14AGS3		↓ -2141		↓ -2140	14
														12
39-51-7107	5320-10AGS3-GY	39-51-7106	5320-10AGS2-GY	39-51-7105	5320-10AGS1-GY			39-51-2102	5320-10AGS3	39-51-2101	5320-10AGS2	39-51-2100	5320-10AGS1	10
EDP NO.	ENG. NO.	EDP NO.	ENG. NO.	EDP NO.	ENG. NO.	EDP NO.	ENG. NO.	EDP NO.	ENG. NO.	EDP NO.	ENG. NO.	EDP NO.	ENG. NO.	NO. OF CKTS.

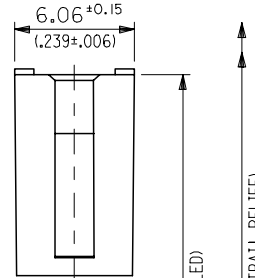
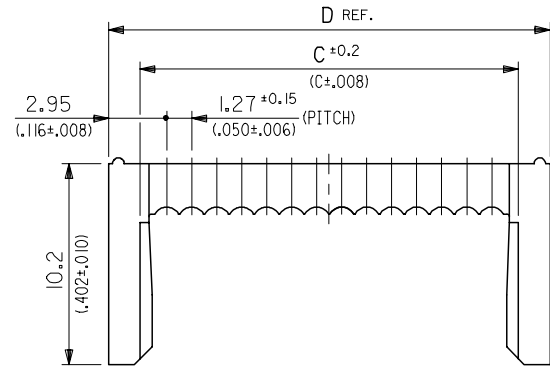
5320-NAGS3-GY	5320-NAGS2-GY	5320-NAGS1-GY	5320-NAGS4	5320-NAGS3	5320-NAGS2	5320-NAGS1									
														64	
								39-51-0605	5320-60AG3	15-29-3602	5320-60AG2	15-29-3601	5320-60AG1	60	
								↑ -0505	↑ -50AG3	↑ -3502	↑ -50AG2	↑ -3501	↑ -50AG1	50	
								↑ -1404	↑ -40AT2	↑ -0405	↑ -40AG3	↑ -3402	↑ -40AG2	↑ -3401	40
								↑ -1344	↑ -34AT2	↑ -0345	↑ -34AG3	↑ -3342	↑ -34AG2	↑ -3341	34
								↑ -1304	↑ -30AT2			↑ -3301	↑ -30AG1	30	
								↑ -1264	↑ -26AT2	↑ -0265	↑ -26AG3	↑ -3262	↑ -26AG2	↑ -3261	26
								↑ -1204	↑ -20AT2	↑ -0205	↑ -20AG3	↑ -3202	↑ -20AG2	↑ -3201	20
								↑ -1164	↑ -16AT2	↑ -0165	↑ -16AG3	↑ -3162	↑ -16AG2	↑ -3161	16
								↑ -1144	↑ -14AT2	↑ -0145	↑ -14AG3	↑ -3142	↑ -14AG2	↑ -3141	14
								↓ -1124	↓ -12AT2					12	
39-52-1104	5320-10AT2	39-51-0105	5320-10AG3	15-29-3102	5320-10AG2	15-29-3101	5320-10AG1							10	
EDP NO.	ENG. NO.	EDP NO.	ENG. NO.	EDP NO.	ENG. NO.	EDP NO.	ENG. NO.							NO. OF CKTS.	

REVISED EC NO: J2006-0712 DRAWN: YANAGI MOTO 2005/10/03 CHKD: TANAKA 2005/10/08 APPR: NUKITA 2005/10/14	GENERAL TOLERANCES (UNLESS SPECIFIED)		DIMENSION STYLE MM ONLY		SCALE 4:1	DESIGN UNITS METRIC	THIRD ANGLE PROJECTION	
	10 UNDER	± 0.2	DRAWN BY DATE SMATSUZAKI 1997/04/23		TITLE QIK FLECS FEMALE ASSY			
	10 OVER 30 UNDER	± 0.25	CHECKED BY DATE KTOJO 1997/10/13					
	30 OVER	± 0.3	APPROVED BY DATE MFUKUSHIMA 1997/10/13		MOLEX INCORPORATED			
ANGULAR ± 3 °		DRAFT WHERE APPLICABLE MUST REMAIN WITHIN DIMENSIONS		MATERIAL NO. SEE CHART		DOCUMENT NO. SD-5320-001		SHEET NO. 2 OF 2

10 9 8 7 6 5 4 3 2 1

F
E
D
C
B
A

F
E
D
C
B
A



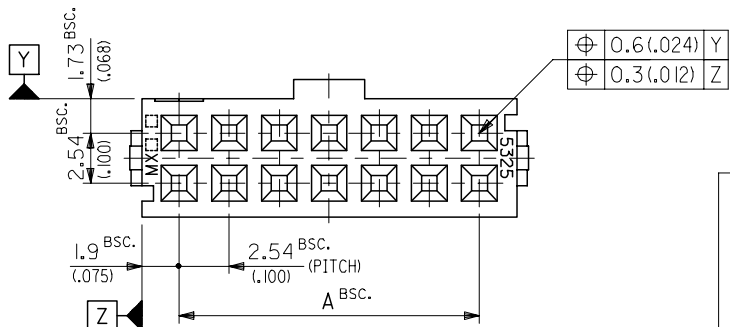
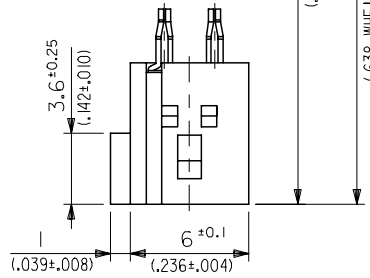
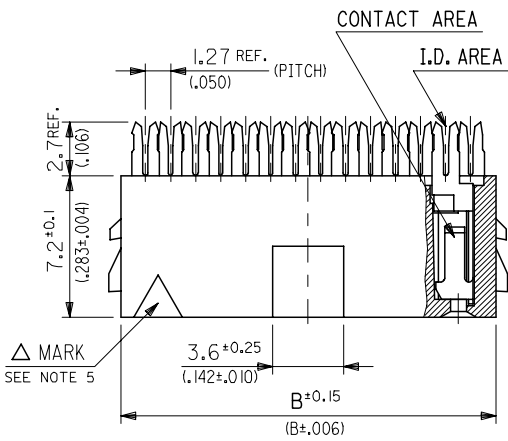
NOTES

- MATERIAL
HOUSING : G.F. 15% PBTP (UL94V-0)
TERMINAL : PHOSPHOR BRONZE
- FOR USE WITH AWG#26 & #28 STRANDED WIRE (CONSISTS OF 7 CONDUCTORS) AND #28 SOLID WIRE.
1.14(.045) DIA. MAX. INSULATION RIBBON CABLE WITH 1.27(.050) CENTERS.
- MATES WITH STRAIN RELIEF OF 5328 SERIES.
- MATES WITH CONNECTOR SERIES OF 5330,5332,5340,5342,5576 & 5578.
- LEGEND

5320 - N A * - *

BASE NUMBER _____ MATERIAL COLOR
CIRCUIT SIZE _____ BLANK : BLACK
UNLOADED UPPER HOUSING _____ GY : GREY
PLATING CODE OF TERMINAL _____

CODE : *	△MARK COLOR	CONTACT AREA PLATE	I. D. AREA PLATE	UNDER PLATE
GS1	YELLOW	GOLD 0.1μm(4μ") MIN.	TIN-LEAD 1 μm(39μ") MIN.	NICKEL 1 μm(39μ") MIN.
GS3	BLUE	GOLD 0.25μm(10μ") MIN.	TIN 1 μm(39μ") MIN.	
LEAD FREE GS17F	YELLOW	GOLD 0.1um(4μ") MIN.	TIN 1 μm(39μ") MIN.	
LEAD FREE GS37F	BLUE	GOLD 0.25μm(10μ") MIN.		
LEAD FREE T2	BLACK	TIN 0.9μm(35μ") MIN. REFLOW (PRE-PLATED)	WITHOUT	WITHOUT



64	78.74 (3.100)	82.54 (3.250)	82.71 (3.256)	85.91 (3.382)
60	73.66 (2.900)	77.46 (3.050)	77.63 (3.056)	80.83 (3.182)
50	60.96 (2.400)	64.76 (2.550)	64.93 (2.556)	68.13 (2.682)
40	48.26 (1.900)	52.06 (2.050)	52.23 (2.056)	55.43 (2.182)
34	40.64 (1.600)	44.44 (1.750)	44.61 (1.756)	47.81 (1.882)
30	35.56 (1.400)	39.36 (1.550)	39.53 (1.556)	42.73 (1.682)
26	30.48 (1.200)	34.28 (1.350)	34.45 (1.356)	37.65 (1.482)
20	22.86 (.900)	26.66 (1.050)	26.83 (1.056)	30.03 (1.182)
16	17.78 (.700)	21.58 (.850)	21.75 (.856)	24.95 (.982)
14	15.24 (.600)	19.04 (.750)	19.21 (.756)	22.41 (.882)
12	12.70 (.500)	16.50 (.650)	16.67 (.656)	19.87 (.782)
10	10.16 (.400)	13.96 (.550)	14.13 (.556)	17.33 (.682)
NO. OF CKTS.	DIM. A	DIM. B	DIM. C	DIM. D

REVISED EC NO: J2006-0712 DRW: YANAGI MOTO 2005/10/03 CHK: D. TANAKA 2005/10/06 APPR: NUKITA 2005/10/14	GENERAL TOLERANCES (UNLESS SPECIFIED)		DIMENSION STYLE MM ONLY		SCALE 4:1	DESIGN UNITS METRIC	THIRD ANGLE PROJECTION
	10 UNDER	± 0.2	DRAWN BY HIRAMOTO	DATE 1990/07/11	TITLE QIK FLECS FEMALE ASSY ENGLISH ONLY		
	10 OVER 30 UNDER	± 0.25	CHECKED BY MSASAO	DATE	APPROVED BY HIKESUGI		
	30 OVER	± 0.3	APPROVED BY HIKESUGI		MOLEX MOLEX INCORPORATED		
	ANGULAR	± 3 °	MATERIAL NO. SEE SHEET 2 OF 2		DOCUMENT NO. SD-5320-002	SHEET NO. 1 OF 2	
DRAFT WHERE APPLICABLE MUST REMAIN WITHIN DIMENSIONS		THIS DRAWING CONTAINS INFORMATION THAT IS PROPRIETARY TO MOLEX INCORPORATED AND SHOULD NOT BE USED WITHOUT WRITTEN PERMISSION					

10 9 8 7 6 5 4 3 2 1

F

F

E

E

D

D

C

C

B

B

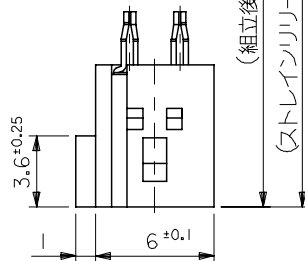
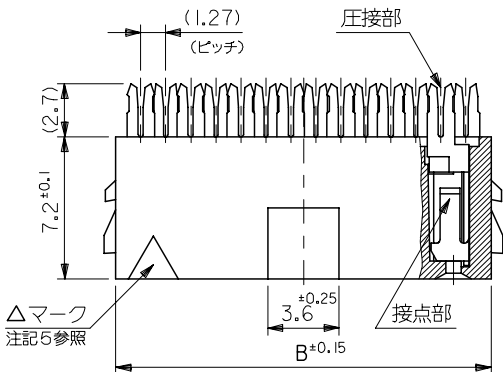
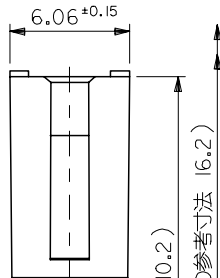
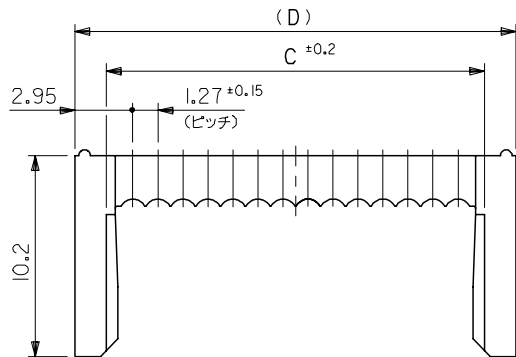
A

A

		60
39-52-1504	5320-50AT2	50
▲ -1404	▲ -40AT2	40
-1344	-34AT2	34
-1304	-30AT2	30
-1264	-26AT2	26
-1204	-20AT2	20
-1164	-16AT2	16
▼ -1144	▼ -14AT2	14
39-52-1104	5320-10AT2	10
EDP NO.	ENG. NO.	NO. OF CKTS.
5320-NAT2	-LEAD FREE-	

39-53-3604	5320-60AGS37F	39-51-2602	5320-60AGS3	60
▲ -3504	▲ -50AGS37F	▲ -2502	▲ -50AGS3	50
-3404	-40AGS37F	-2402	-40AGS3	40
-3344	-34AGS37F	-2342	-34AGS3	34
-3304	-30AGS37F	-2302	-30AGS3	30
-3264	-26AGS37F	-2262	-26AGS3	26
-3204	-20AGS37F	-2202	-20AGS3	20
-3164	-16AGS37F	-2162	-16AGS3	16
▼ -3144	▼ -14AGS37F	▼ -2142	▼ -14AGS3	14
39-53-3104	5320-10AGS37F	39-51-2102	5320-10AGS3	10
EDP NO.	ENG. NO.	EDP NO.	ENG. NO.	NO. OF CKTS.
5320-NAGS37F	-LEAD FREE-	5320-NAGS3		
39-53-4606	5320-60AGS17F	39-51-2600	5320-60AGS1	60
▲ -4506	▲ -50AGS17F	▲ -2500	▲ -50AGS1	50
-4406	-40AGS17F	-2400	-40AGS1	40
-4346	-34AGS17F	-2340	-34AGS1	34
-4306	-30AGS17F	-2300	-30AGS1	30
-4266	-26AGS17F	-2260	-26AGS1	26
-4206	-20AGS17F	-2200	-20AGS1	20
-4166	-16AGS17F	-2160	-16AGS1	16
▼ -4146	▼ -14AGS17F	▼ -2140	▼ -14AGS1	14
39-53-4106	5320-10AGS17F	39-51-2100	5320-10AGS1	10
EDP NO.	ENG. NO.	EDP NO.	ENG. NO.	NO. OF CKTS.
5320-NAGS17F	-LEAD FREE-	5320-NAGS1		

REVISED EC NO: J2006-0712 DRWN: YANAGI MOTO 2005/10/03 CHKD: TANAKA 2005/10/06 APPR: NUKITA 2005/10/14	GENERAL TOLERANCES (UNLESS SPECIFIED)		DIMENSION STYLE MM ONLY		SCALE 4:1	DESIGN UNITS METRIC	THIRD ANGLE PROJECTION	
	10 UNDER	± 0.2	DRAWN BY HHIRAMOTO	DATE 1990/07/11	TITLE QIK FLECS FEMALE ASSY ENGLISH ONLY			
	10 OVER 30 UNDER	± 0.25	CHECKED BY MSASAO	DATE				
	30 OVER	± 0.3	APPROVED BY HIKESUGI	DATE	MOLEX MOLEX INCORPORATED			
	ANGULAR	± 3 °	MATERIAL NO.	DOCUMENT NO.				
DRAFT WHERE APPLICABLE MUST REMAIN WITHIN DIMENSIONS		SEE CHART		SD-5320-002		2 OF 2		

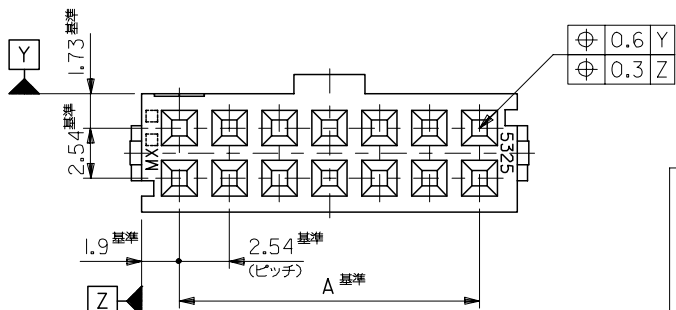


注記

- 材料 ハウジング : ガラス繊維 15% 入りPBTP (UL94V-0), 黒色
ターミナル : リン青銅
- 適用電線 : 1.27ピッチリボンケーブル 被覆外径 : $\phi 1.14$ MAX.
より線 : AWG#26 ~ #28 (芯線 7 本構成)
単線 : AWG#28
- 適合ストレーンリリーフ : 5328-N
- 嵌合相手 : 5330, 5332, 5340, 5342 シリーズ
- 使用符号の説明 **5320 - N A ***
ベースナンバー _____
極数 _____
アッパーハウジング分離タイプ _____
ターミナルのメッキコード _____

コード*	△マークの色	接点部メッキ	圧接部メッキ	下地メッキ
GS1	黄	金 0.1 μ m MIN.	半田 1 μ m MIN.	ニッケル
GS3	青	金 0.25 μ m MIN.		1 μ m MIN.
LEAD FREE GS17F	黄	金 0.1 μ m MIN.	錫 1 μ m MIN.	
LEAD FREE GS37F	青	金 0.25 μ m MIN.		
LEAD FREE T2	黒	錫 0.9 μ m MIN. リフロー処理 (前メッキ)		

60	73.66	77.46	77.63	80.83
50	60.96	64.76	64.93	68.13
40	48.26	52.06	52.23	55.43
34	40.64	44.44	44.61	47.81
30	35.56	39.36	39.53	42.73
26	30.48	34.28	34.45	37.65
20	22.86	26.66	26.83	30.03
16	17.78	21.58	21.75	24.95
14	15.24	19.04	19.21	22.41
10	10.16	13.96	14.13	17.33
極数	A 寸法	B 寸法	C 寸法	D 寸法



REVISED EC NO: J2006-0712 DRWN: YANAGI MOTO 2005/10/03 CHKD: TANAKA 2005/10/06 APPR: NUKITA 2005/10/14	GENERAL TOLERANCES (UNLESS SPECIFIED)		DIMENSION STYLE MM ONLY		SCALE 4:1	DESIGN UNITS METRIC	THIRD ANGLE PROJECTION		
	DESCRIPTION	10 UNDER ±0.2	10 OVER 30 UNDER ±0.25	30 OVER ±0.3	ANGULAR ±3 °	DRAWN BY H. HIRAMOTO	DATE 1990/07/10	TITLE QIK FLECS FEMALE ASSY	
REV	DRAFT WHERE APPLICABLE MUST REMAIN WITHIN DIMENSIONS		MATERIAL NO. SEE SHEET 2 OF 2		APPROVED BY H. IKESUGI	DATE	MOLEX INCORPORATED		
	SIZE A3		DOCUMENT NO. SD-5320-007		SHEET NO. 1 OF 2				

10 9 8 7 6 5 4 3 2 1

F

F

E

E

D

D

C

C

B

B

A

A

		60
39-52-1504	5320-50AT2	50
▲ -1404	▲ -40AT2	40
-1344	▲ -34AT2	34
-1304	-30AT2	30
-1264	-26AT2	26
-1204	-20AT2	20
-1164	-16AT2	16
▼ -1144	▼ -14AT2	14
39-52-1104	5320-10AT2	10
EDP NO.	ENG. NO.	極 数
5320-NAT2	-LEAD FREE-	

39-53-3604	5320-60AGS37F	39-51-2602	5320-60AGS3	60
▲ -3504	▲ -50AGS37F	▲ -2502	▲ -50AGS3	50
▼ -3404	▼ -40AGS37F	-2402	▲ -40AGS3	40
-3344	▼ -34AGS37F	-2342	-34AGS3	34
-3304	-30AGS37F	-2302	-30AGS3	30
-3264	-26AGS37F	-2262	-26AGS3	26
-3204	-20AGS37F	-2202	-20AGS3	20
-3164	-16AGS37F	-2162	-16AGS3	16
-3144	-14AGS37F	▼ -2142	▼ -14AGS3	14
39-53-3104	5320-10AGS37F	39-51-2102	5320-10AGS3	10
EDP NO.	ENG. NO.	EDP NO.	ENG. NO.	極 数
5320-NAGS37F	-LEAD FREE-	5320-NAGS3		
39-53-4606	5320-60AGS17F	39-51-2600	5320-60AGS1	60
▲ -4506	▲ -50AGS17F	▲ -2500	▲ -50AGS1	50
-4406	-40AGS17F	-2400	-40AGS1	40
-4346	-34AGS17F	-2340	-34AGS1	34
-4306	-30AGS17F	-2300	-30AGS1	30
-4266	-26AGS17F	-2260	-26AGS1	26
-4206	-20AGS17F	-2200	-20AGS1	20
-4166	-16AGS17F	-2160	-16AGS1	16
▼ -4146	▼ -14AGS17F	▼ -2140	▼ -14AGS1	14
39-53-4106	5320-10AGS17F	39-51-2100	5320-10AGS1	10
EDP NO.	ENG. NO.	EDP NO.	ENG. NO.	極 数
5320-NAGS17F	-LEAD FREE-	5320-NAGS1		

REVISED EC NO: J2006-0712 DRW: YANAGI MOTO 2005/10/03 CHK: M. TANAKA 2005/10/06 APPR: NUKITA 2005/10/14	GENERAL TOLERANCES (UNLESS SPECIFIED)		DIMENSION STYLE MM ONLY		SCALE 4:1	DESIGN UNITS METRIC	THIRD ANGLE PROJECTION	
	10 UNDER	± 0.2	DRAWN BY H. HIRAMOTO		DATE 1990/07/10	TITLE QIK FLECS FEMALE ASSY		
	10 OVER 30 UNDER	± 0.25	CHECKED BY M. SASAO		DATE			
	30 OVER	± 0.3	APPROVED BY H. IKESUGI		DATE	MOLEX INCORPORATED		
	ANGULAR	± 3 °	MATERIAL NO.		DOCUMENT NO.			
DRAFT WHERE APPLICABLE MUST REMAIN WITHIN DIMENSIONS		SEE CHART		SD-5320-007		2 OF 2		