

PLEASE CHECK WWW.MOLEX.COM FOR LATEST PART INFORMATION

Part Number: [0197234403](#)
Status: **Active**
Description: VibraKrimp™ Open Barrel Strip Snap Plug Receptacle with Strain Relief

Documents:

[Drawing \(PDF\)](#) [RoHS Certificate of Compliance \(PDF\)](#)

General

Product Family	Quick Disconnects
Series	19723
Comments	Open Barrel
Crimp Quality Equipment	Yes
Product Name	VibraKrimp™
Type	Snap Plug

Physical

Barrel Type	Open
Gender	Female
Glow-Wire Compliant	No
Insulation	None
Lock to Mating Part	None
Material - Metal	Brass
Material - Plating Mating	Tin
Material - Plating Termination	Tin
Orientation	Straight
Packaging Type	Reel
Plating min: Mating (µin)	100
Plating min: Mating (µm)	2.5
Plating min: Termination (µin)	100
Plating min: Termination (µm)	2.5
Tab Thickness	N/A
Tab Width	N/A
Wire Insulation Diameter	N/A
Wire Size AWG	14, 16, 18

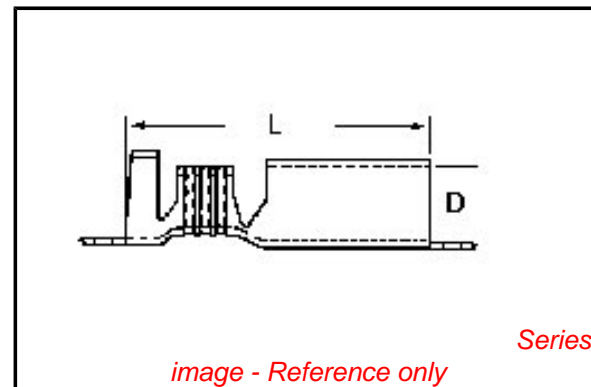
Electrical

Voltage - Maximum	N/A
-------------------	-----

Material Info

Reference - Drawing Numbers

Sales Drawing	SD-19723-440
---------------	--------------



EU RoHS

**ELV and RoHS
Compliant**

REACH SVHC

Contains SVHC: No

Halogen-Free

Status

Not Reviewed

China RoHS



**Need more information on product
environmental compliance?**

Email productcompliance@molex.com
 For a multiple part number RoHS Certificate of
 Compliance, [click here](#)

Please visit the [Contact Us](#) section for any
 non-product compliance questions.

Search Parts in this Series

[19723Series](#)

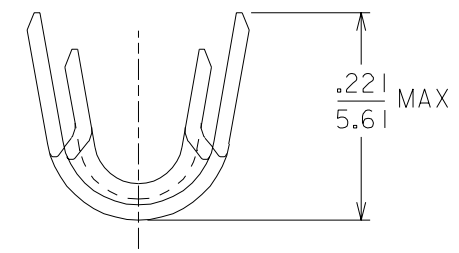
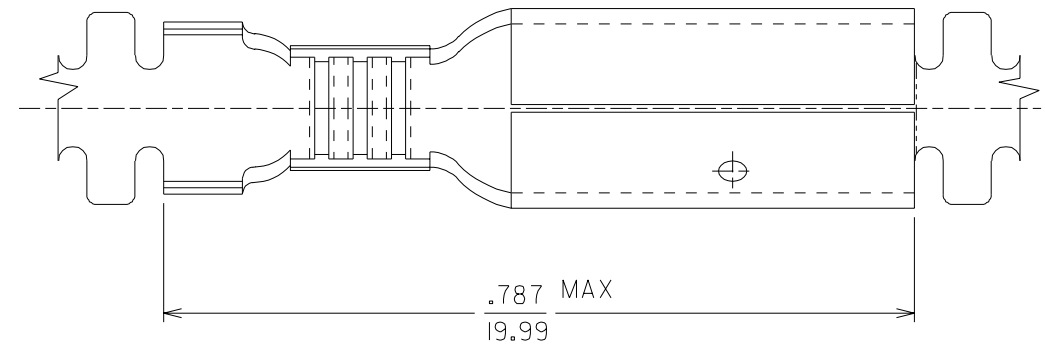
Application Tooling | [FAQ](#)

*Tooling specifications and manuals are
 found by selecting the products below.
 Crimp Height Specifications are then
 contained in the Application Tooling
 Specification document.*

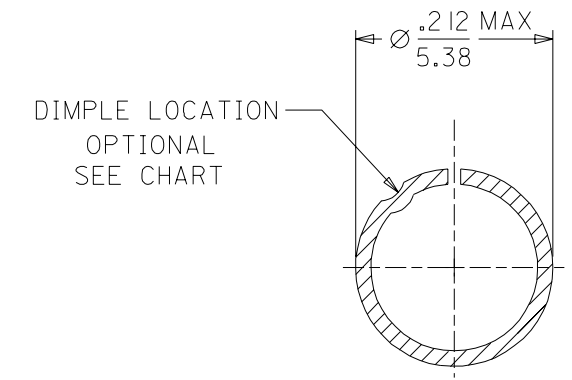
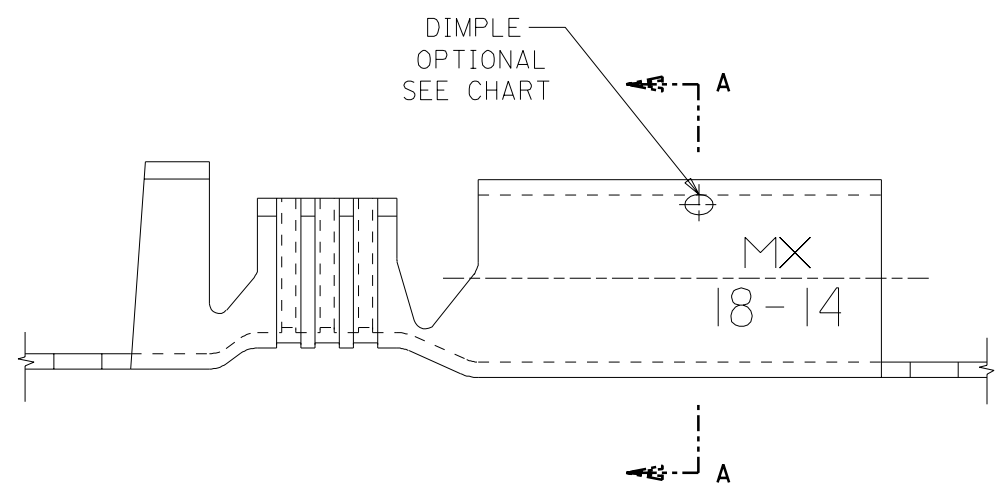
Global

Description	Product #
Rear Feed Mini- Mac Applicator for VibraKrimp™ Snap Male Plug Terminals, 14-18 AWG	0638026800

MATERIAL NO.	ENG NUMBER	DESCRIPTION	FINISH
197234400	19723-4400	CONTINUOUS STRIP WITH DIMPLE	UNPLATED
197234401	19723-4401	CONTINUOUS STRIP WITHOUT DIMPLE	
197234402	19723-4402	CONTINUOUS STRIP WITH DIMPLE	ELECTRO-TIN
197234403	19723-4403	CONTINUOUS STRIP WITHOUT DIMPLE	



BACKGROUND OMITTED FOR CLARITY



SECTION A-A
BACKGROUND OMITTED FOR CLARITY

SALES DRAWING

- NOTES:
- MATERIAL: BRASS
 - FINISH: SEE CHART
 - PACKING QTY. 6000 PER REEL.

NEW RELEASE EC NO. ETC2002-0318 DRWN:HEB 02/08/09 CHK:RWD 02/08/09 APPR:RWD 02/08/09	QUALITY SYMBOLS	GENERAL TOLERANCES: (UNLESS SPECIFIED)		SCALE 5:1	DESIGN UNITS <input type="checkbox"/> mm <input checked="" type="checkbox"/> INCH	DIMENSIONS: <input type="checkbox"/> mm <input checked="" type="checkbox"/> INCH <input type="checkbox"/> mm ONLY	SHT	REV
	MAJOR ▼=0	mm	INCH	DRAWN BY & DATE BRE 02/06/28	THIRD ANGLE PROJECTION			
	CRITICAL △=0	4 PLACES ±0.	±.	CHECKED BY & DATE HEB 02/06/28	TITLE: SNAP PLUG RECEPTACLE .180 DIA. VIBRAKRIMP 18-14 AWG CHAIN STAMPED			
		3 PLACES ±0.	±.	APPROVED BY & DATE RWD 02/06/28	MOLEX INCORPORATED			
	2 PLACES ±0.	±.	ANGULAR: ± °	CAD FILENAME SD-19723-440 .DGN	MATERIAL NO. SEE TABLE	DRAWING NO. SD-19723-440	SHEET NO. 1 OF 1	
	1 PLACE ±0.	±.	DRAFT WHERE APPLICABLE MUST REMAIN WITHIN DIMENSIONS	THIS DRAWING CONTAINS INFORMATION THAT IS PROPRIETARY TO MOLEX INCORPORATED AND SHOULD NOT BE USED WITHOUT WRITTEN PERMISSION.				SIZE B