

**PLEASE CHECK WWW.MOLEX.COM FOR LATEST PART INFORMATION**

**Part Number:** [0834219044](#)  
**Status:** **Active**  
**Overview:** [commercial\\_microd](#)  
**Description:** Comercial Micro-D, CMD Single Ended, 9 Circuits, Female - Pigtail, 1.83m (6.0' ) Length

**Documents:**

[Drawing \(PDF\)](#) [RoHS Certificate of Compliance \(PDF\)](#)  
[Product Specification PS-83421-001 \(PDF\)](#)

**General**

Product Family	Cable Assemblies
Series	<a href="#">83421</a>
Connector to Connector	Commercial Micro-D-to-Pigtail
Overview	<a href="#">commercial_microd</a>
Product Literature Order No	USA-063
Product Name	Commercial Micro-D

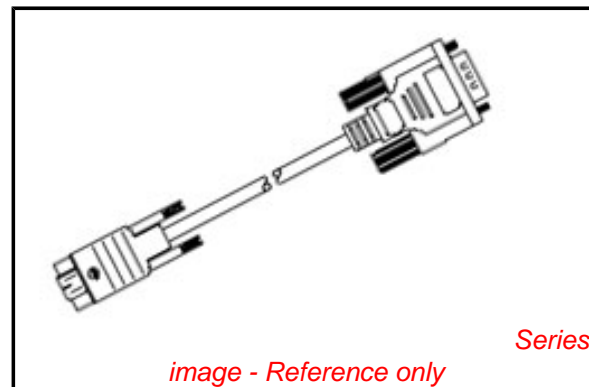
**Physical**

Cable Length	1.83m (6.0' )
Circuits (Loaded)	9
Gender	Female-Pigtail
Lock to Mating Part	None
Material - Plating Mating	Gold
Material - Plating Termination	Tin
Packaging Type	Bag
Plating min: Mating (µin)	5
Plating min: Mating (µm)	0.125
Plating min: Termination (µin)	50
Plating min: Termination (µm)	1.25
Single Ended	Yes
Termination Interface: Style	Crimp or Compression
Wire Insulation Diameter	.225mm (5.720") max.
Wire Size AWG	28
Wire/Cable Type	N/A

**Material Info**

**Reference - Drawing Numbers**

Packaging Specification	PK-83422-001
Product Specification	PS-83421-001



**EU RoHS**

**ELV and RoHS  
Compliant**  
**REACH SVHC  
Contains SVHC: No**  
**Halogen-Free  
Status**

**China RoHS**



**Not Reviewed**

**Need more information on product  
environmental compliance?**

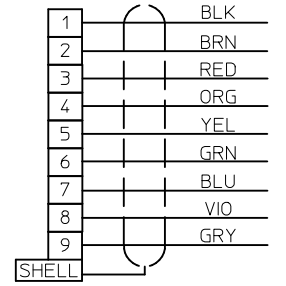
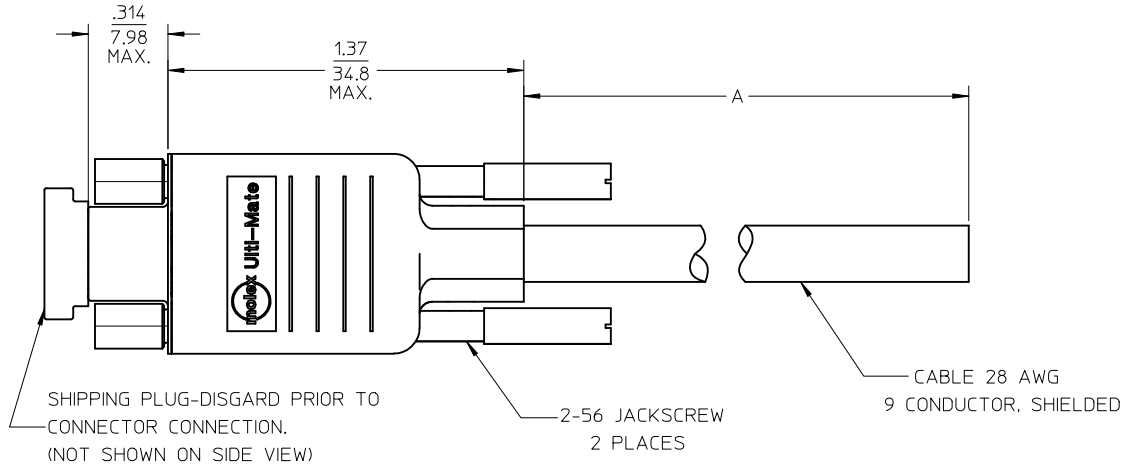
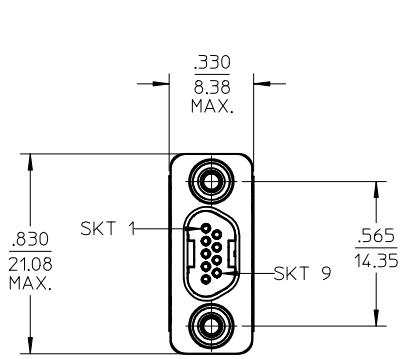
Email [productcompliance@molex.com](mailto:productcompliance@molex.com)  
For a multiple part number RoHS Certificate of Compliance, [click here](#)

Please visit the [Contact Us](#) section for any non-product compliance questions.

**Search Parts in this Series**  
[83421Series](#)

PART NUMBER	A (inch)
834219023	4.5"
834219042	18.5"
834219043	36.5"
834219044	72.5"
834219060	300.0"

(F)



NOTES:

- 1) OVERMOLD ASSEMBLY
- 2) CABLE LENGTH TOLERANCE = -0/+ .25" PER FOOT
- 2) RoHS COMPLIANT

<b>ADD PART NUM.</b> EC NO: WNA2010-0499 DRWN:BRUPERT 2010/02/10 CHKD: 2010/02/24 APPR: JFMURPHY 2010/02/24	<b>QUALITY SYMBOLS</b> 	<b>GENERAL TOLERANCES (UNLESS SPECIFIED)</b>		<b>DIMENSION STYLE</b> IN/MM	<b>SCALE</b> 2:1	<b>DESIGN UNITS</b> INCH	<b>THIRD ANGLE PROJECTION</b>
		4 PLACES ± --- ± ---	DRAWN BY O.URBACH	DATE 2AUG99	<b>TITLE</b> CMD CONNECTOR ASSEMBLY 9 CIRCUIT		
		3 PLACES ± --- ± .005	CHECKED BY F.VAN WYK	DATE	<b>MOLEX INCORPORATED</b>		
		2 PLACES ± --- ± .01 1 PLACE ± --- ± --- ANGULAR ± 2 °	APPROVED BY JFMURPHY	DATE 2010/02/24	<b>MOLEX</b>	<b>DOCUMENT NO.</b> SD-83421-9023	<b>SHEET NO.</b> 1 OF 1
<b>DRAFT WHERE APPLICABLE MUST REMAIN WITHIN DIMENSIONS</b>		<b>SEE CHART</b>	<b>THIS DRAWING CONTAINS INFORMATION THAT IS PROPRIETARY TO MOLEX INCORPORATED AND SHOULD NOT BE USED WITHOUT WRITTEN PERMISSION</b>				