

**PLEASE CHECK WWW.MOLEX.COM FOR LATEST PART INFORMATION**

**Part Number:** [0834219014](#)  
**Status:** **Active**  
**Overview:** commercial\_microd  
**Description:** 1.27mm (.050") Pitch Commerical Micro D, Cable Receptacle Kit, 9 Circuits

**Documents:**

[3D Model](#) [Product Specification PS-83421-001 \(PDF\)](#)  
[Drawing \(PDF\)](#) [RoHS Certificate of Compliance \(PDF\)](#)

**General**

Product Family	I/O Connectors
Series	<a href="#">83421</a>
Application	Wire-to-Board
Component Type	Receptacle
Overview	<u>commercial_microd</u>
Product Literature Order No	USA-063
Product Name	Commercial Micro-D
Type	N/A

**Physical**

Boot Color	BLACK
Circuits (Loaded)	9
Circuits (maximum)	9
Durability (mating cycles max)	500
Gender	Receptacle
Lock to Mating Part	Yes
Material - Plating Mating	Gold
Number of Rows	2
Orientation	N/A
PCB Locator	No
PCB Retention	N/A
Packaging Type	Bag
Panel Mount	No
Pitch - Mating Interface (in)	0.025 In
Pitch - Mating Interface (mm)	0.64 mm
Plating min: Mating (µin)	30
Plating min: Mating (µm)	0.76
Polarized to Mating Part	Yes
Polarized to PCB	N/A
Ports	1
Surface Mount Compatible (SMC)	No
Temperature Range - Operating	-40°C to +125°C
Termination Interface: Style	N/A
Waterproof / Dustproof	No
Wire Size AWG	26, 28

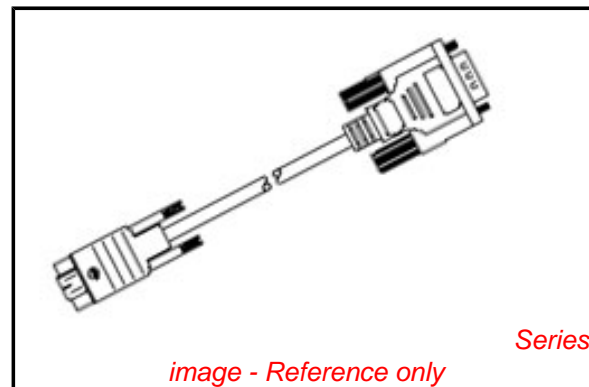
**Electrical**

Current - Maximum per Contact	1A
Shield Type	Full Shield
Shielded	Yes
Voltage - Maximum	350V AC

**Material Info**

**Reference - Drawing Numbers**

Product Specification	PS-83421-001
Sales Drawing	SD-83421-002



**EU RoHS**

**ELV and RoHS  
Compliant**  
**REACH SVHC**  
 Not Reviewed  
**Halogen-Free  
Status**

**China RoHS**



**Not Reviewed**

**Need more information on product  
environmental compliance?**

Email [productcompliance@molex.com](mailto:productcompliance@molex.com)  
 For a multiple part number RoHS Certificate of Compliance, [click here](#)

Please visit the [Contact Us](#) section for any non-product compliance questions.

**Search Parts in this Series**

[83421Series](#)

**Mates With**

[83611](#) , [83619](#) , [83612](#) , [83614](#)

**Application Tooling | FAQ**

*Tooling specifications and manuals are found by selecting the products below. Crimp Height Specifications are then contained in the Application Tooling Specification document.*

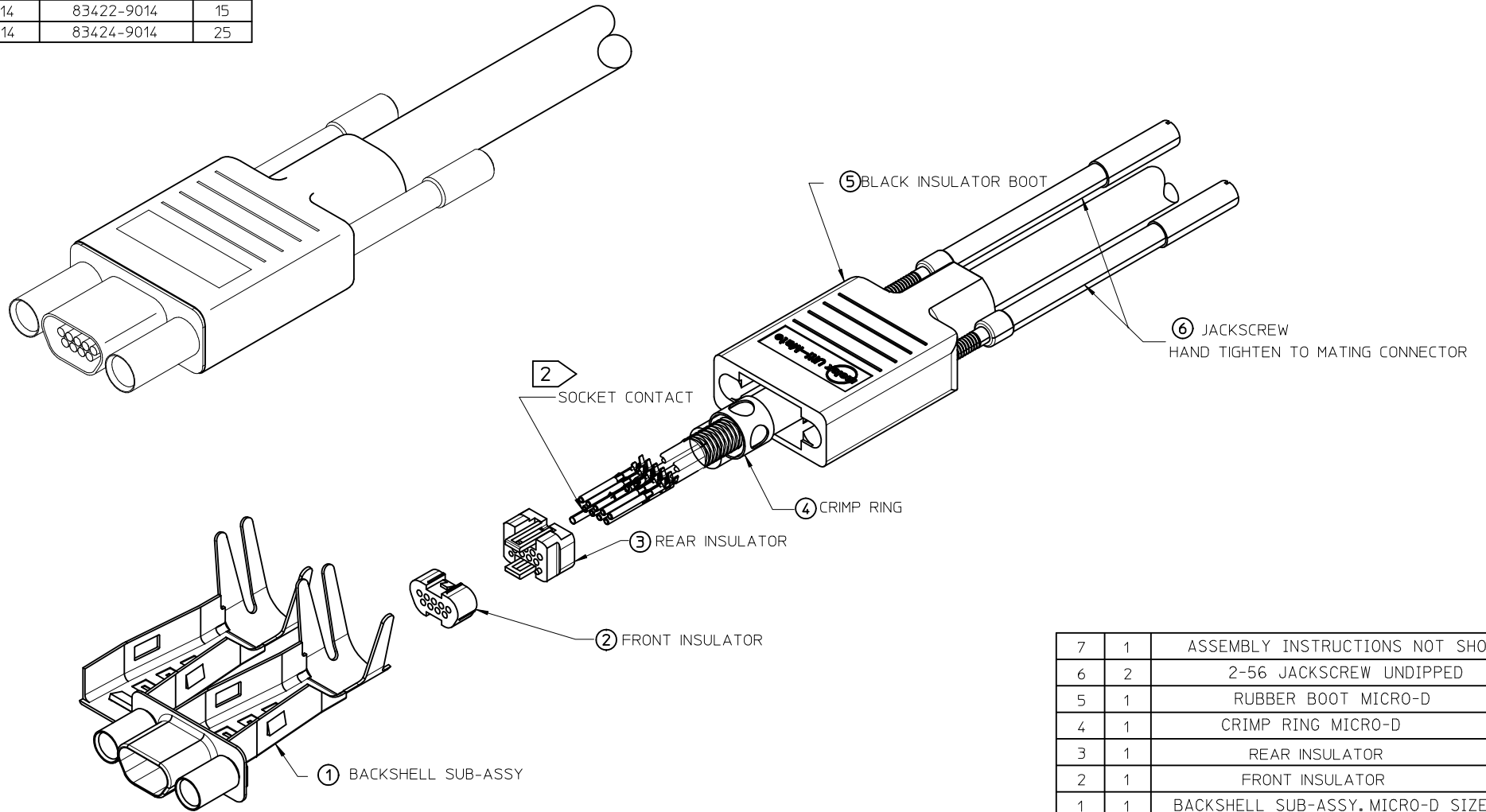
**Global**

Description	Product #
Manual Press for Micro-D Backshell Crimp Tool Kit, 9 Circuits	<a href="#">0622008900</a>
Micro-D Backshell Crimp Tool Kit, 9 Circuits	<a href="#">0622009000</a>
Hand Crimp Tool	<a href="#">0621000900</a>

This document was generated on 05/20/2010

**PLEASE CHECK [WWW.MOLEX.COM](http://WWW.MOLEX.COM) FOR LATEST PART INFORMATION**

10	9	8	7	6	5	4	3	2	1
MATERIAL NO.	ENGINEERING NO.	SIZE							
834219014	83421-9014	9							
834229014	83422-9014	15							
834249014	83424-9014	25							



7	1	ASSEMBLY INSTRUCTIONS NOT SHOWN
6	2	2-56 JACKSCREW UNDIPPED
5	1	RUBBER BOOT MICRO-D
4	1	CRIMP RING MICRO-D
3	1	REAR INSULATOR
2	1	FRONT INSULATOR
1	1	BACKSHELL SUB-ASSY. MICRO-D SIZE I5
ITEM	ITEM	DESCRIPTION

3. ROHS COMPLIANT

2 CONTACTS SOLD SEPARATELY. ORDER BY:  
 P/N 830009502 (2500 CONTACT REEL)  
 P/N 830009503 (50000 CONTACT REEL)  
 P/N 830000083 (LOOSE CONTACTS)

1. REFER TO PS-83421-9000 FOR PRODUCT SPECIFICATION.

NOTES: UNLESS OTHERWISE SPECIFIED

<b>REDRAWN</b> EC NO: WNA2010-0482 DRW:BRUPERT 2010/02/09 CHKD:BRUPERT 2010/04/21 APPR: JFMURPHY 2010/04/21 REV K	QUALITY SYMBOLS ▽=0 ◻=0	GENERAL TOLERANCES (UNLESS SPECIFIED) <table border="1"> <tr> <td></td> <td>mm</td> <td>INCH</td> </tr> <tr> <td>4 PLACES</td> <td>± ---</td> <td>± ---</td> </tr> <tr> <td>3 PLACES</td> <td>± ---</td> <td>± .005</td> </tr> <tr> <td>2 PLACES</td> <td>± 0.13</td> <td>± .010</td> </tr> <tr> <td>1 PLACE</td> <td>± 0.3</td> <td>± ---</td> </tr> </table> ANGULAR ±1/2°		mm	INCH	4 PLACES	± ---	± ---	3 PLACES	± ---	± .005	2 PLACES	± 0.13	± .010	1 PLACE	± 0.3	± ---	DIMENSION STYLE <b>IN/MM</b> DRAWN BY: URBACH DATE: 99/09/03 CHECKED BY: HEB DATE: 02/01/31 APPROVED BY: RWD DATE: 02/01/31	SCALE <b>2:1</b> DESIGN UNITS <b>INCH</b> THIRD ANGLE PROJECTION	TITLE <b>CONNECTOR KIT, RECEPTACLE, W/2-56 JACKSCREWS</b> <b>MOLEX INCORPORATED</b> MATERIAL NO. SEE CHART DOCUMENT NO. SD-83421-002 SHEET NO. 1 OF 1
		mm	INCH																	
	4 PLACES	± ---	± ---																	
	3 PLACES	± ---	± .005																	
2 PLACES	± 0.13	± .010																		
1 PLACE	± 0.3	± ---																		
DRAFT WHERE APPLICABLE MUST REMAIN WITHIN DIMENSIONS		THIS DRAWING CONTAINS INFORMATION THAT IS PROPRIETARY TO MOLEX INCORPORATED AND SHOULD NOT BE USED WITHOUT WRITTEN PERMISSION																		
		SIZE A3																		