

PLEASE CHECK WWW.MOLEX.COM FOR LATEST PART INFORMATION

Part Number: **0738002000**
Status: **Active**
Overview: hdm
Description: 2.00mm (.079") Pitch HDM® Board-to-Board Midplane Header, Vertical, SMC, Press-Fit, Long Pin, Open End Option, 72 Circuits

Documents:

[Drawing \(PDF\)](#) [RoHS Certificate of Compliance \(PDF\)](#)
[Product Specification PS-73780-999 \(PDF\)](#)

General

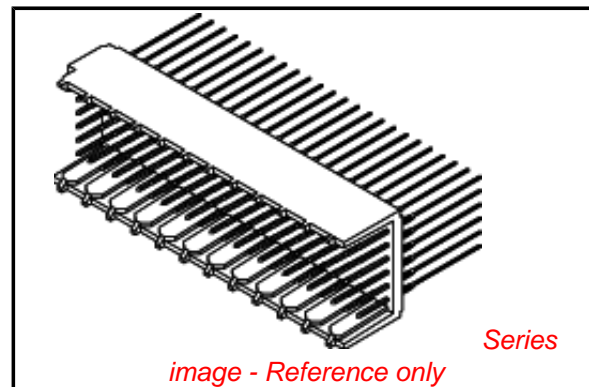
| | |
|----------------|----------------------|
| Product Family | Backplane Connectors |
| Series | <u>73800</u> |
| Application | Midplane |
| Component Type | PCB Header |
| Overview | <u>hdm</u> |
| Product Name | HDM® |
| Style | N/A |

Physical

| | |
|--------------------------------|--------------------------------|
| Circuits (Loaded) | 72 |
| Circuits (maximum) | 72 |
| Color - Resin | Black, Natural |
| Durability (mating cycles max) | 250 |
| First Mate / Last Break | No |
| Guide to Mating Part | No |
| Keying to Mating Part | None |
| Material - Plating Mating | Gold |
| Material - Plating Termination | Tin-Lead |
| Material - Resin | High Temperature Thermoplastic |
| Number of Columns | 12 |
| Number of Pairs | Open Pin Field |
| Number of Rows | 6 |
| Orientation | Vertical |
| PC Tail Length (in) | 0.453 In |
| PC Tail Length (mm) | 11.50 mm |
| PCB Locator | No |
| PCB Retention | Yes |
| PCB Thickness Recommended (in) | 0.156 In |
| PCB Thickness Recommended (mm) | 3.95 mm |
| Packaging Type | Tube |
| Pitch - Mating Interface (in) | 0.079 In |
| Pitch - Mating Interface (mm) | 2.00 mm |
| Pitch - Term. Interface (in) | 0.079 In |
| Pitch - Term. Interface (mm) | 2.00 mm |
| Plating min: Mating (µin) | 30 |
| Plating min: Mating (µm) | 0.75 |
| Plating min: Termination (µin) | 35.2 |
| Plating min: Termination (µm) | 0.88 |
| Polarized to PCB | No |
| Stackable | No |
| Surface Mount Compatible (SMC) | Yes |
| Temperature Range - Operating | -55°C to +105°C |

Electrical

| | |
|-------------------------------|----|
| Current - Maximum per Contact | 1A |
|-------------------------------|----|



EU RoHS **China RoHS**

Compliance Status

Not Reviewed

REACH SVHC

Not Reviewed

Halogen-Free

Status

Not Reviewed

Need more information on product environmental compliance?

Email productcompliance@molex.com
 For a multiple part number RoHS Certificate of Compliance, [click here](#)

Please visit the [Contact Us](#) section for any non-product compliance questions.

Search Parts in this Series

[73800Series](#)

Mates With

[73632 HDM PLUS® Board-to-Board Daughtercard Receptacle](#). [73780 HDM® Board-to-Board Daughtercard Receptacle](#)

Application Tooling | FAQ

Tooling specifications and manuals are found by selecting the products below. Crimp Height Specifications are then contained in the Application Tooling Specification document.

Global

Description **Product #**

Flat Rock Tooling for [0622013700](#)
 Pneumatic Press

| | |
|-------------------------|----------|
| Data Rate | 1.0 Gbps |
| Real Signals (per 25mm) | 75 |
| Shielded | No |
| Voltage - Maximum | 250V AC |

Material Info

Reference - Drawing Numbers

| | |
|-------------------------|---------------|
| Packaging Specification | PK-70873-0868 |
| Product Specification | PS-73780-999 |
| Sales Drawing | SD-73800-001 |

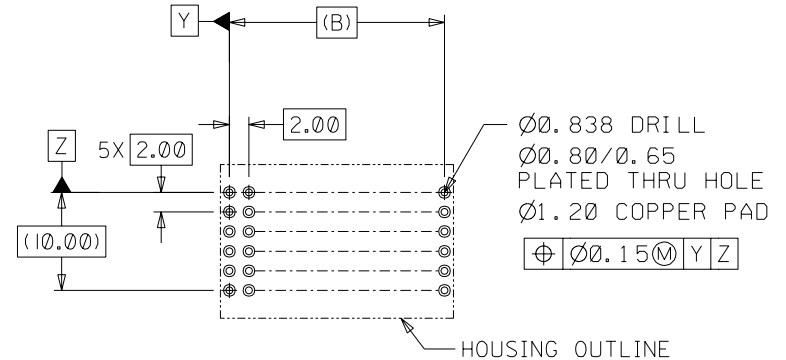
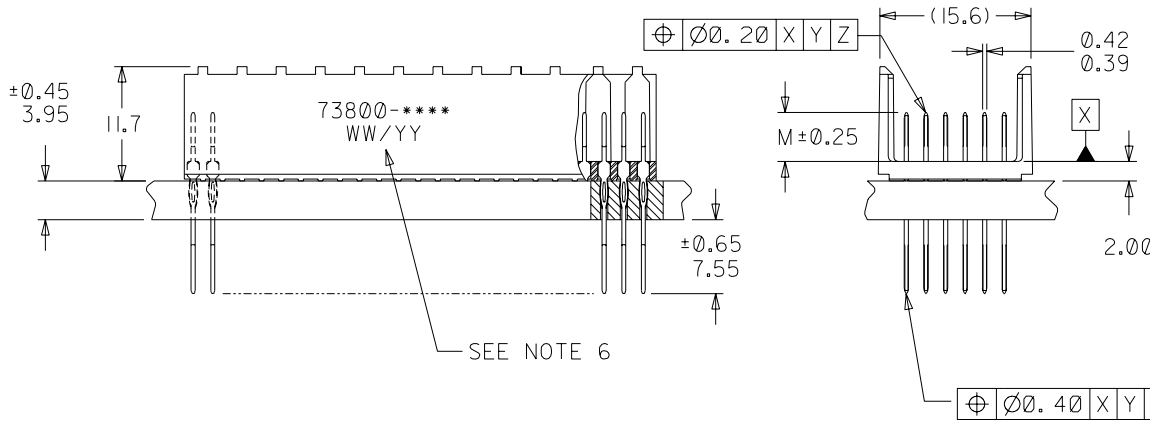
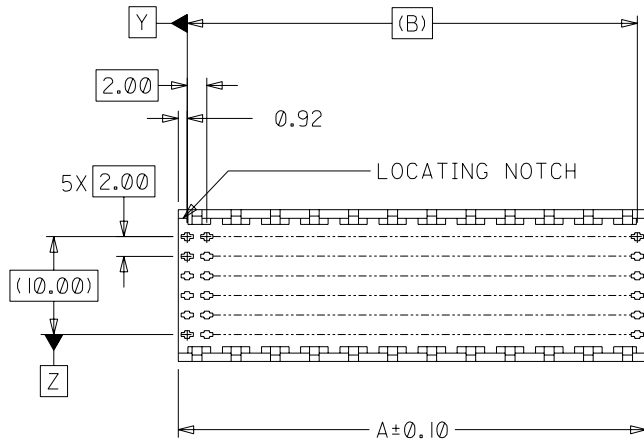
HDM and High Density Metric are trademarks of Amphenol Corporation

This document was generated on 05/14/2010

PLEASE CHECK WWW.MOLEX.COM FOR LATEST PART INFORMATION

NOTES:

1. MATERIALS: HOUSING - LIQUID CRYSTAL POLYMER (LCP), GLASS-FILLED, UL94V-0, COLOR: BLACK, TERMINAL - PHOSPHOR BRONZE.
2. FINISHES: SELECTIVE GOLD (Au) IN CONTACT AREA, 0.00076mm MINIMUM THICKNESS; NICKEL (Ni) AND GOLD FLASH OVERALL SELECTIVE GOLD (Au) IN CONTACT AREA, 0.00076mm MINIMUM THICKNESS; SELECTIVE TIN/LEAD (Sn/Pb) IN COMPLIANT AREA, NICKEL (Ni) OVERALL.
3. THIS PART CONFORMS TO MOLEX PRODUCT SPECIFICATION PS-73780-999.
4. FOR MIXED CONTACT MATING LENGTHS, CONSULT FACTORY FOR AVAILABILITY.
5. PACKAGE PER PK-70873-0868.
6. PARTS MARKED WITH PART NUMBER AND DATE CODE, ON EITHER SIDE, APPROXIMATELY WHERE SHOWN.



PCB LAYOUT: COMPONENT SIDE
RECOMMENDED PCB THICKNESS: 3.95±0.45

| MATERIAL NUMBER | NUMBER OF CONTACTS | DIM "A" | DIM "B" | DIM "M" | PLATING |
|-----------------|--------------------|---------|---------|---------|-----------------|
| 73800-0000 | 72 | 23.84 | 22.00 | 5.00 | GOLD/GOLD FLASH |
| 73800-0200 | 72 | 23.84 | 22.00 | 6.00 | GOLD/GOLD FLASH |
| 73800-1000 | 144 | 47.84 | 46.00 | 5.00 | GOLD/GOLD FLASH |
| 73800-1200 | 144 | 47.84 | 46.00 | 6.00 | GOLD/GOLD FLASH |
| 73800-2000 | 72 | 23.84 | 22.00 | 5.00 | GOLD/TIN-LEAD |
| 73800-2200 | 72 | 23.84 | 22.00 | 6.00 | GOLD/TIN-LEAD |
| 73800-3000 | 144 | 47.84 | 46.00 | 5.00 | GOLD/TIN-LEAD |
| 73800-3200 | 144 | 47.84 | 46.00 | 6.00 | GOLD/TIN-LEAD |

| | | |
|---------|------------------------|-----------------|
| REVISED | EC NO. UCP2004-1438 | QUALITY SYMBOLS |
| | DRWN: BINGHAM 04/02/04 | MAJOR |
| | CHK: REED 04/02/04 | CRITICAL |
| | APPR: BIXLER 04/02/04 | |
| H | DESCRIPTION | REV |

| | | | |
|--|-------|--|---|
| GENERAL TOLERANCES: (UNLESS SPECIFIED) | | SCALE 2 : 1 | DESIGN UNITS <input checked="" type="checkbox"/> mm <input type="checkbox"/> INCH |
| 4 PLACES | ±0. | mm | INCH |
| 3 PLACES | ±0. | mm | INCH |
| 2 PLACES | ±0.05 | mm | INCH |
| 1 PLACE | ±0.10 | mm | INCH |
| ANGULAR: ± 1/2° | | DRAWN BY & DATE | |
| DRAFT WHERE APPLICABLE MUST REMAIN WITHIN DIMENSIONS | | JBINGHAM 97/05/16 | |
| | | CHECKED BY & DATE | |
| | | SREED 97/05/16 | |
| | | APPROVED BY & DATE | |
| | | CBIXLER 97/05/16 | |
| | | CAD FILENAME | MATERIAL NO. |
| | | S73800X1.DGN | SEE CHART |
| | | DRAWING NO. | SHEET NO. |
| | | SD-73800-001 | 1 OF 1 |
| | | THIS DRAWING CONTAINS INFORMATION THAT IS PROPRIETARY TO MOLEX INCORPORATED AND SHOULD NOT BE USED WITHOUT WRITTEN PERMISSION. | |
| | | SIZE B | |

| | | | |
|-----------------------------|-------------------------------|---|--------------------|
| DIMENSIONS: | | SHT | REV |
| <input type="checkbox"/> mm | <input type="checkbox"/> INCH | <input checked="" type="checkbox"/> mm ONLY | REVISE ON CAD ONLY |
| THIRD ANGLE PROJECTION | | TITLE: | |
| | | SALES ASSEMBLY | |
| | | HDM DOUBLE-END MIDPLANE | |
| | | OPEN END OPTION | |
| | | MOLEX INCORPORATED | |
| | | MATERIAL NO. SD-73800-001 | |
| | | DRAWING NO. SD-73800-001 | |
| | | SHEET NO. 1 OF 1 | |
| | | SIZE B | |