

PLEASE CHECK WWW.MOLEX.COM FOR LATEST PART INFORMATION

Part Number: [0533092870](#)
Status: **Active**
Description: 0.80mm (.031") Pitch Board-to-Board Header, Surface Mount, Dual Row, Right Angle, Lead-free, 28 Circuits

Documents:

3D Model	Product Specification PS-52588-031 (PDF)
Drawing (PDF)	Product Specification PS-52588-032 (PDF)
Product Specification PS-52465-014 (PDF)	RoHS Certificate of Compliance (PDF)

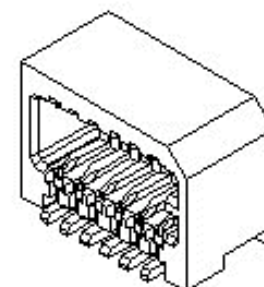
General

Product Family	PCB Headers
Series	53309
Application	Board-to-Board
Product Name	N/A

Physical

Breakaway	No
Circuits (Loaded)	28
Circuits (maximum)	28
Color - Resin	Natural
Durability (mating cycles max)	30
First Mate / Last Break	No
Glow-Wire Compliant	No
Guide to Mating Part	No
Keying to Mating Part	None
Lock to Mating Part	Yes
Mated Height (in)	0.222 In
Mated Height (in)	0.262 In
Mated Height (mm)	5.65 mm
Mated Height (mm)	6.65 mm
Material - Metal	Phosphor Bronze
Material - Plating Mating	Tin
Material - Plating Termination	Tin
Material - Resin	High Temperature Thermoplastic
Number of Rows	2
Orientation	Right Angle
PC Tail Length (in)	0.016 In
PC Tail Length (in)	0.020 In
PC Tail Length (mm)	0.40 mm
PC Tail Length (mm)	0.50 mm
PCB Locator	No
PCB Retention	None
Packaging Type	Embossed Tape on Reel
Pitch - Mating Interface (in)	0.031 In
Pitch - Mating Interface (mm)	0.80 mm
Plating min: Mating (µin)	40
Plating min: Mating (µm)	1
Plating min: Termination (µin)	40
Plating min: Termination (µm)	1
Polarized to PCB	No
Shrouded	Fully
Stackable	No
Temperature Range - Operating	-20°C to +105°C
Termination Interface: Style	Surface Mount

Electrical



Series image - Reference only

EU RoHS

**ELV and RoHS
Compliant**
REACH SVHC
 Not Reviewed
**Halogen-Free
Status**

China RoHS



Not Reviewed
**Need more information on product
environmental compliance?**

Email productcompliance@molex.com
 Please visit the [Contact Us](#) section for any non-product compliance questions.

Search Parts in this Series

53309 Series

Mates With

Board-to-Board Receptacle [52465](#) , [52588](#)

Current - Maximum	0.5A
Voltage - Maximum	50V

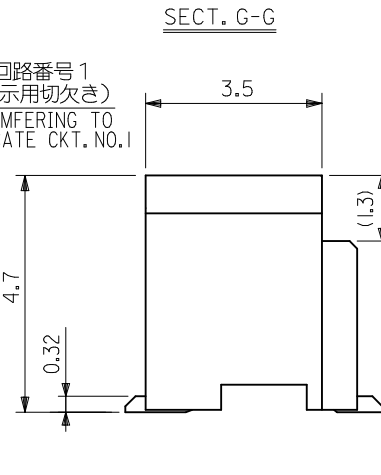
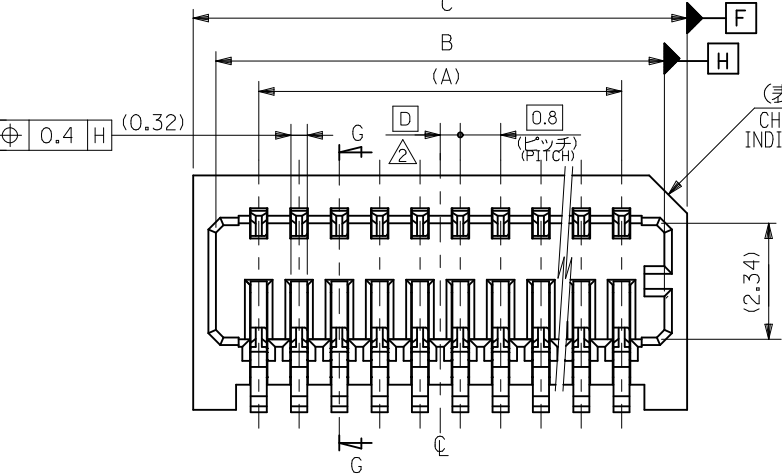
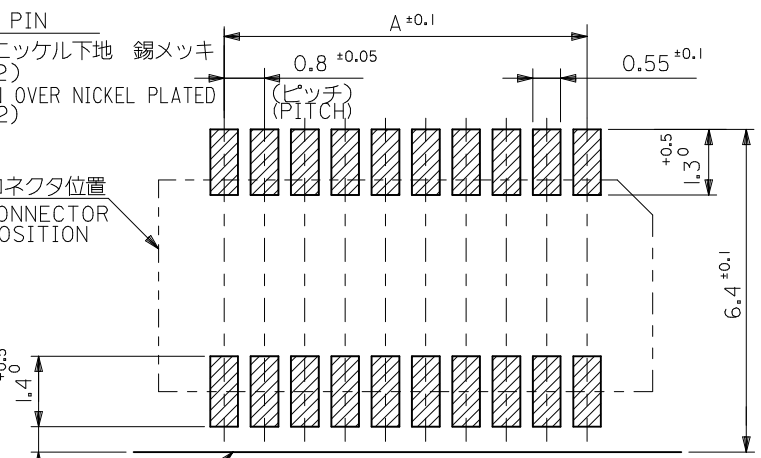
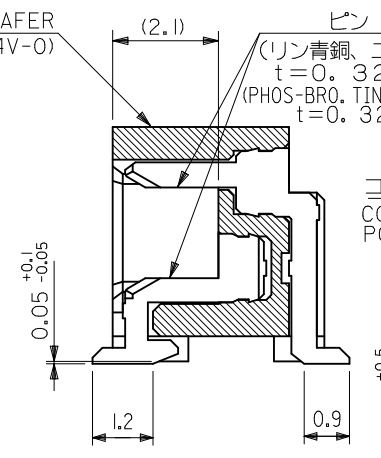
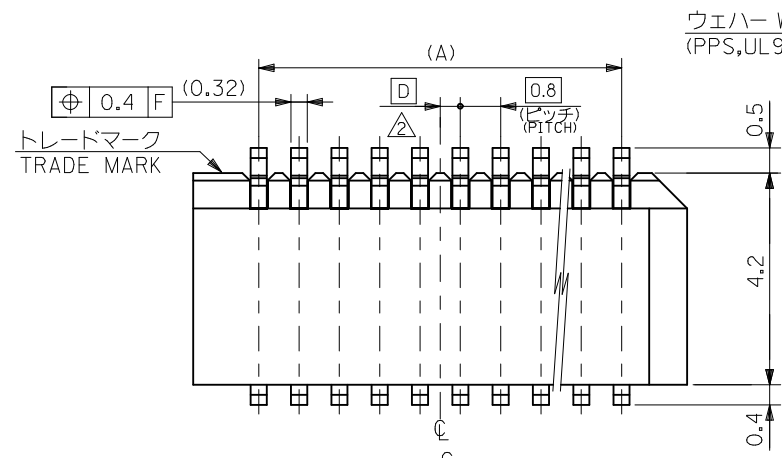
Material Info

Reference - Drawing Numbers

Product Specification	PS-52465-014
Product Specification	PS-52588-031
Product Specification	PS-52588-032
Product Specification	RPS-52465-042
Product Specification	RPS-52465-047
Product Specification	RPS-52465-049
Product Specification	RPS-52588-039
Product Specification	RPS-52588-040
Product Specification	RPS-52588-041
Sales Drawing	SD-53309-011
Sales Drawing	SD-53309-012

This document was generated on 11/05/2009

PLEASE CHECK WWW.MOLEX.COM FOR LATEST PART INFORMATION



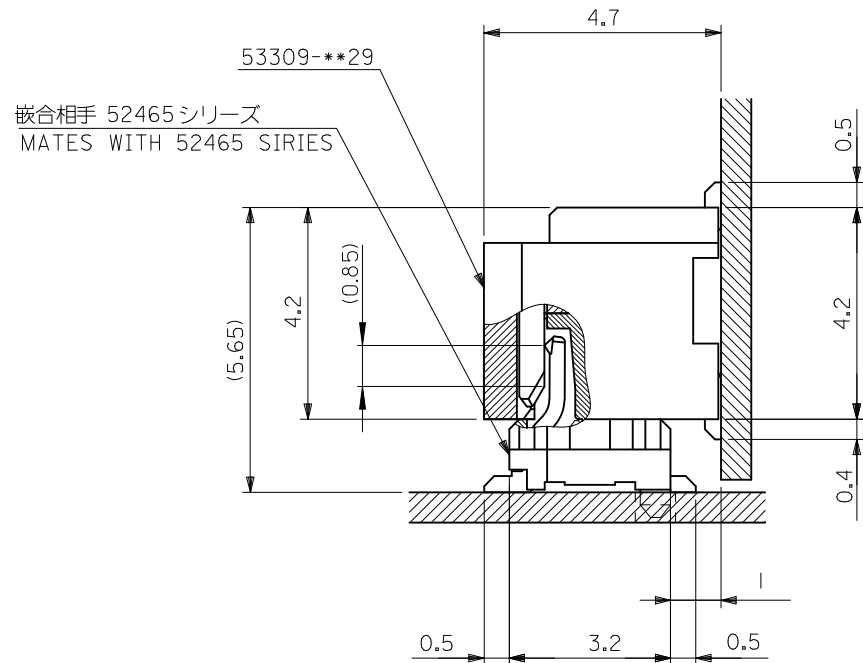
0.4	17.8	16.9	15.2	53309-4029	40	
0.8	17.0	16.1	14.4	-3829	38	
0.4	16.2	15.3	13.6	-3629	36	
0.8	15.4	14.5	12.8	-3429	34	
0.4	14.6	13.7	12.0	-3229	32	
0.8	13.8	12.9	11.2	-3029	30	
0.4	13.0	12.1	10.4	-2829	28	
0.8	12.2	11.3	9.6	-2629	26	
0.4	11.4	10.5	8.8	-2429	24	
0.8	10.6	9.7	8.0	-2229	22	
0.4	9.8	8.9	7.2	-2029	20	
0.8	9.0	8.1	6.4	-1829	18	
0.4	8.2	7.3	5.6	-1629	16	
0.8	7.4	6.5	4.8	-1429	14	
0.4	6.6	5.7	4.0	-1229	12	
53309-**29	0.8	5.8	4.9	3.2	53309-1029	10
MODEL NO.	D	C	B	A	MATERIAL NO.	極数 CKT.

注記 NOTES

1. 嵌合相手: 52465,52588 シリーズ
MATE WITH : 52465,52588 SERIES
2. ウェハーの C から隣接するピンの C 迄の位置を示す。
SHOW POSITION FROM C OF WAFER TO C OF ADJACENT PINS.
3. 本製品は 53309-**27 の鉛フリー品である。
THIS PRODUCT IS LEAD FREE OF 53309-**27

REVISED EC NO: J2010-1285 DRWN: YON002 2009/12/17 CHKD: SMARUYAMA 2009/12/17 APPR: SMARUYAMA 2009/12/17	GENERAL TOLERANCES (UNLESS SPECIFIED)		DIMENSION STYLE MM ONLY		SCALE ---	DESIGN UNITS METRIC	THIRD ANGLE PROJECTION
	10 UNDER	±0.2	DRAWN BY M. NINOMIYA	DATE 2004/03/10	TITLE 0.8 B/B CONN.WAFER ASS'Y R/A SMT(WITHOUT BOSS)		
	10 OVER 30 UNDER	±0.25	CHECKED BY K. TOJO	DATE 2004/03/10	MOLEX INCORPORATED		
	30 OVER	±0.3	APPROVED BY M. SASAO	DATE 2004/03/10	DOCUMENT NO. SD-53309-011		
REV	DESCRIPTION	ANGULAR ±3 °	DRAFT WHERE APPLICABLE MUST REMAIN WITHIN DIMENSIONS		SIZE A3	SHEET NO. 1 OF 2	

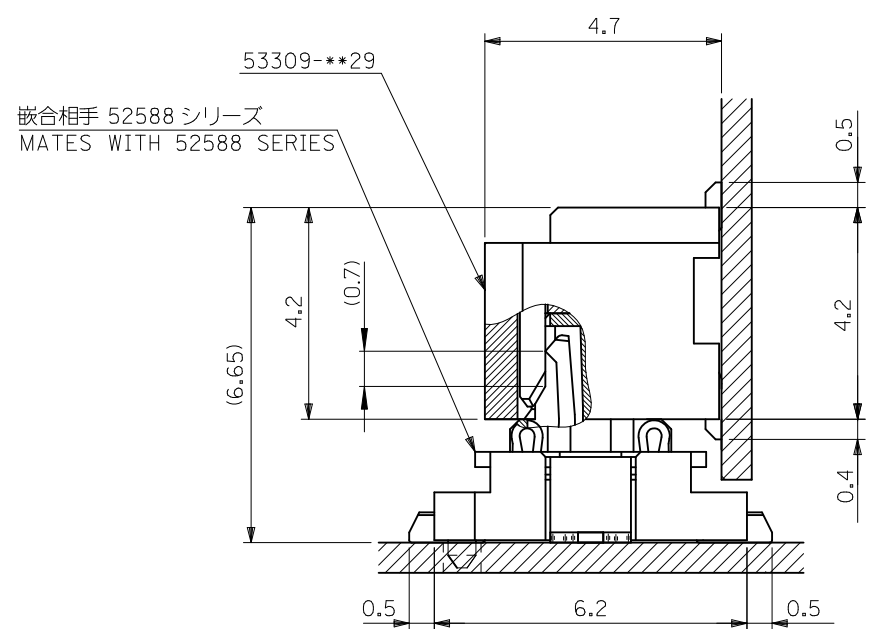
THIS DRAWING CONTAINS INFORMATION THAT IS PROPRIETARY TO MOLEX INCORPORATED AND SHOULD NOT BE USED WITHOUT WRITTEN PERMISSION



嵌合相手 52465シリーズ
MATES WITH 52465 SERIES

53309-***29

嵌合状態図 (参考)
MATED DRAWING(REF.)

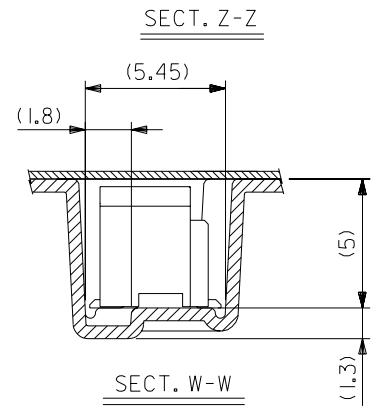
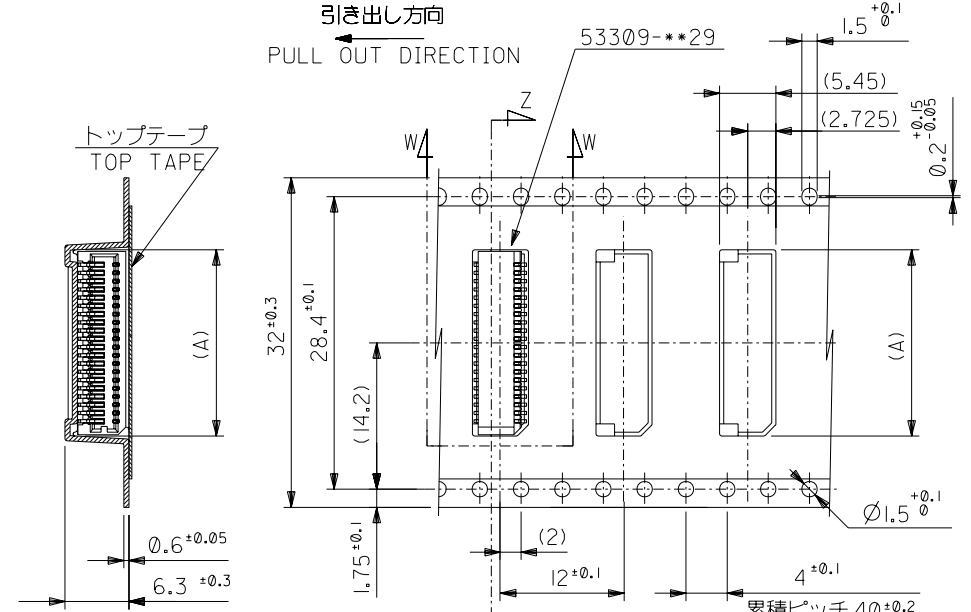
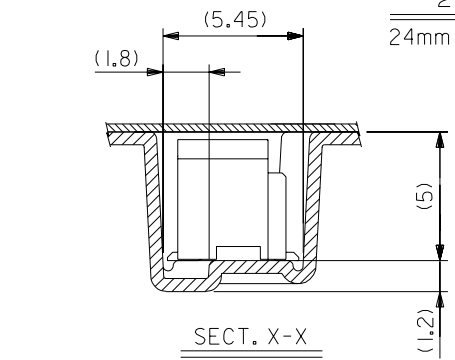
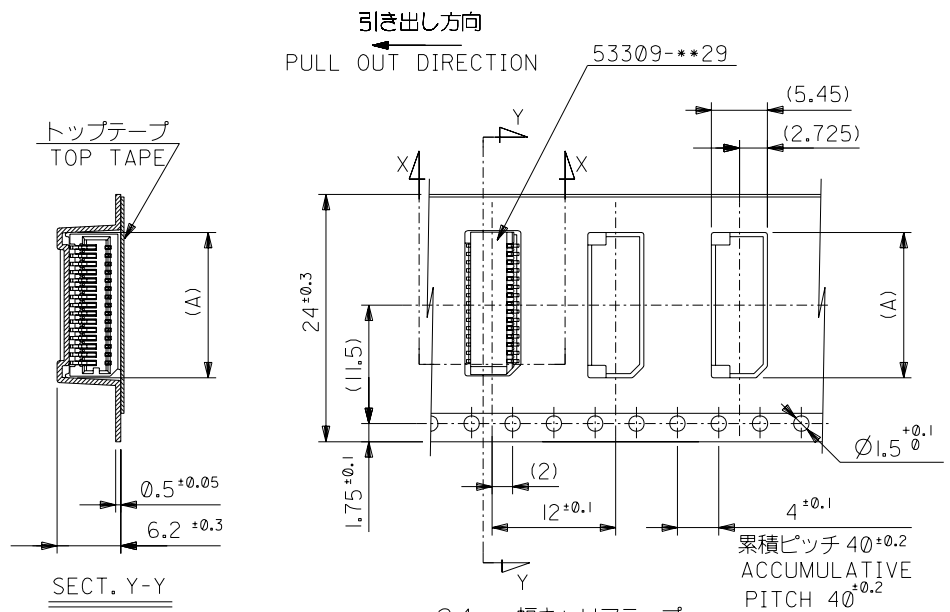


嵌合相手 52588シリーズ
MATES WITH 52588 SERIES

53309-***29

嵌合状態図 (参考)
MATED DRAWING(REF.)

REVISED EC NO: J2010-1285 DRWN: YON002 CHK'D: SMARUYAMA APPR: SMARUYAMA	2009/12/17 2009/12/17 2009/12/17	GENERAL TOLERANCES (UNLESS SPECIFIED)		DIMENSION STYLE MM ONLY		SCALE ---	DESIGN UNITS METRIC	THIRD ANGLE PROJECTION		
		10 UNDER	±0.2	DRAWN BY M. NINOMIYA	DATE 2004/03/10	TITLE 0.8 B/B CONN. WAFER ASS'Y R/A SMT(WITHOUT BOSS)				
		10 OVER 30 UNDER	±0.25	CHECKED BY K. TOJO	DATE 2004/03/10	APPROVED BY M. SASAO				
		30 OVER	±0.3	APPROVED BY M. SASAO		DATE 2004/03/10	MOLEX INCORPORATED		SHEET NO. 2 OF 2	
		ANGULAR ±3 °		MATERIAL NO. SEE SHEET 1		DOCUMENT NO. SD-53309-011				
DRAFT WHERE APPLICABLE MUST REMAIN WITHIN DIMENSIONS		THIS DRAWING CONTAINS INFORMATION THAT IS PROPRIETARY TO MOLEX INCORPORATED AND SHOULD NOT BE USED WITHOUT WRITTEN PERMISSION								



24mm幅キャリアテープ
24mm WIDTH CARRIER TAPE

32mm幅キャリアテープ
32mm WIDTH CARRIER TAPE

24	29.4	25.4	16.5	53309-3670	36
			15.7	53309-3470	34
			14.9	53309-3270	32
			14.1	53309-3070	30
			13.3	53309-2870	28
			12.5	53309-2670	26
			11.7	53309-2470	24
			10.9	53309-2270	22
10.1	53309-2070	20			
キャリアテープ幅 CARRIER TAPE WIDTH	C	B	(A)	MATERIAL NO.	極数 CIRCUIT

53309-***70		M.N.	
MODEL NO.		K.1	
角度 ANGLE	+3°	DATE	04/03/10
30以上 OVER	+0.3	DR.	M.SASAO
10以上 OVER	+0.25	CHK.	日付
30未満 UNDER	+0.2	REVISION RECORD	
10未満 UNDER	+0.2	新規作成 RELEASED (J2004-2995)	
一般公差 GENERAL TOLERANCES			

32	37.4	33.4	18.1	53309-4070	40
キャリアテープ幅 CARRIER TAPE WIDTH	C	B	(A)	53309-3870	38
				MATERIAL NO.	極数 CIRCUIT

材料 MATERIAL
SHEET 1 OF 2 参照 REFER TO SHEET 1 OF 2
仕上げ FINISH —
適用電線範囲 WIRE RANGE —
被覆外径 INS. RANGE —
DRAWN BY 04/03/10 M.NINOMIYA
CHK'D BY 04/03/10 K.TOJO
MATERIAL MOLEX-JAPAN CO.,LTD. 日本モレックス株式会社
REVISE ONLY ON CAD SYSTEM
TITLE 名称 0.8 BtB Wafer Assy
RA SMT Without Boss
Embstp Pkg
-LEAD FREE-
DWG. NO. (SHEET 2 OF 2) REV 0
SD-53309-012