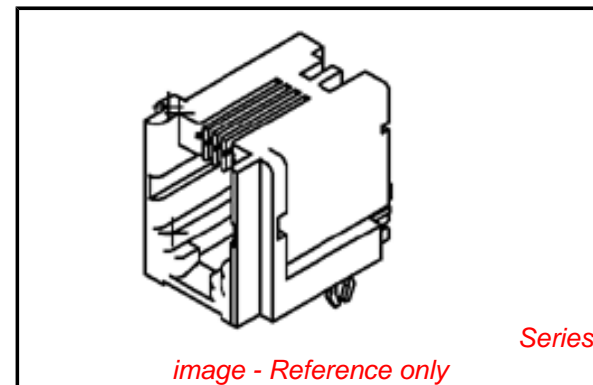


PLEASE CHECK WWW.MOLEX.COM FOR LATEST PART INFORMATION

Part Number: [0528304422](#)
Status: **Active**
Overview: [modular_plugs_jacks](#)
Description: Modular Jack, Right Angle, 4/4, 0.38µm (15µ") Gold (Au) Plating, with Beveled Metal Pins, Tray Packaging, Lead-free

Documents:

3D Model	Product Specification PS-52830-003 (PDF)
Drawing (PDF)	RoHS Certificate of Compliance (PDF)
Product Specification PS-52830-002 (PDF)	



Agency Certification

CSA	LR19980
UL	E107635

General

Product Family	Modular Jacks/Plugs
Series	52830
Comments	Beveled Metal Pins
Component Type	PCB Jack
Magnetic	No
Overview	modular_plugs_jacks
Performance Category	3
Power over Ethernet (PoE)	N/A
Product Name	RJ11

Physical

Boot Color	N/A
Color - Resin	Gray
Durability (mating cycles max)	200
Flammability	94V-0
Inverted / Top Latch	No
Lightpipes/LEDs	None
Material - Metal	Phosphor Bronze
Material - Plating Mating	Gold
Material - Plating Termination	Tin
Material - Resin	Polyester
Orientation	Right Angle (Side Entry)
PCB Locator	Yes
PCB Retention	Yes
PCB Thickness Recommended (in)	0.063 In
PCB Thickness Recommended (mm)	1.60 mm
Packaging Type	Tray
Pitch - Mating Interface (in)	0.040 In
Pitch - Mating Interface (mm)	1.02 mm
Pitch - Term. Interface (in)	0.040 In
Pitch - Term. Interface (mm)	1.02 mm
Ports	1
Positions / Loaded Contacts	4/4
Surface Mount Compatible (SMC)	No
Temperature Range - Operating	-40°C to +80°C
Termination Interface: Style	Through Hole
Waterproof / Dustproof	No
Wire/Cable Type	N/A

Electrical

EU RoHS

**ELV and RoHS
Compliant**
REACH SVHC
 Not Reviewed
**Halogen-Free
Status**
 Not Reviewed

China RoHS



Need more information on product environmental compliance?

Email productcompliance@molex.com
 For a multiple part number RoHS Certificate of Compliance, [click here](#)

Please visit the [Contact Us](#) section for any non-product compliance questions.

Search Parts in this Series

[52830Series](#)

Mates With

FCC 68 Plugs

Current - Maximum per Contact	1.2A
Shielded	No
Voltage - Maximum	125V AC (RMS)/DC

Material Info

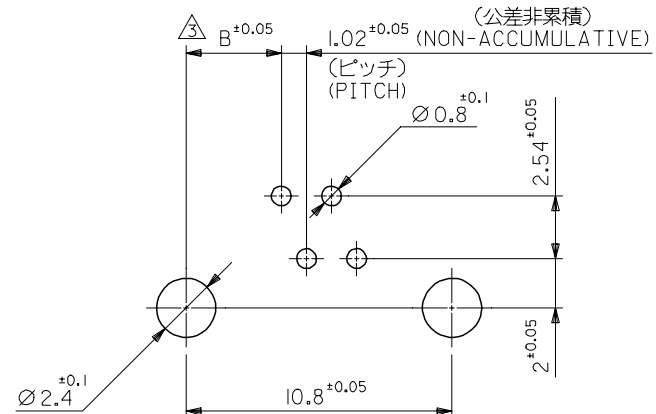
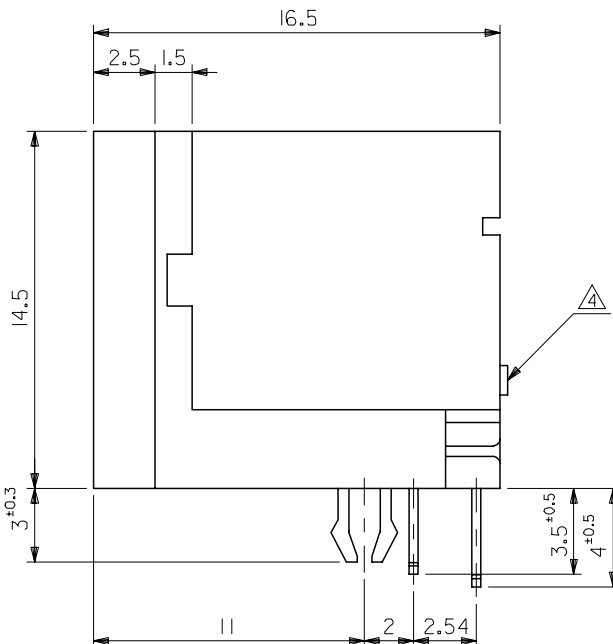
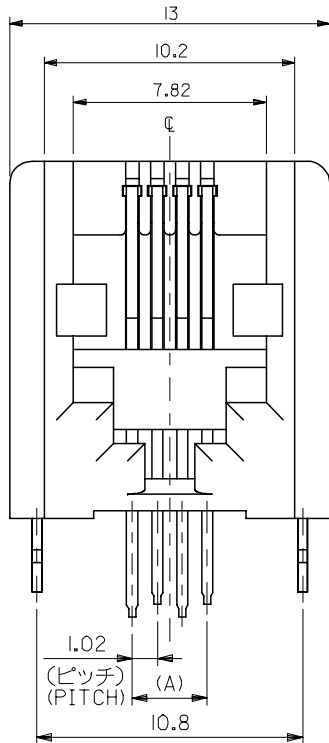
Reference - Drawing Numbers

Product Specification	PS-52830-002, PS-52830-003, RPS-52830-001
Sales Drawing	SD-52830-001

This document was generated on 06/07/2010

PLEASE CHECK WWW.MOLEX.COM FOR LATEST PART INFORMATION

10 9 8 7 6 5 4 3 2 1



基板穴推奨寸法
(ジャック取り付け側)
RECOMMENDED P.C.B. LAYOUT
(JACK ASS'Y SIDE)

注記
NOTES

- 材質
MATERIAL
ハウジング: ガラス入りポリエステル UL94V-0
HOUSING: POLYESTER G.F.15% UL94V-0
ターミナル: リン青銅 (t=0.38)
TERMINAL: PHOSPHOR BRONZE (t=0.38)
金属ペグ: リン青銅 鍍メッキ (t=0.4)
METAL PEG: PHOSPHOR BRONZE (t=0.4), PRE-TINNED
- ターミナルのメッキ仕様
PLATING OF TERMINAL
接点部: 金メッキ、(表参照)
CONTACT AREA: GOLD, (SEE CHART)
半田付け部: 鍍メッキ 1.0 µmMIN.
SOLDER AREA: TIN 1.0 µmMIN.
下地メッキ: ニッケルメッキ 1.0 µmMIN.
UNDERPLATE: NICKEL 1.0 µmMIN.

- 3 - 42*2は、両端の基板穴を除く。
IF PART NO. SUFFIX IS -42*2,
THEN FIRST HOLE NEAREST
Ø2.4 HOLES(EACH END) IS NOT REQUIRED.
- 4 金メッキ厚標示
COLOR CODING TO INDICATE GOLD PLATING
黄色: 0.1 µmMIN.
YELLOW: 0.1 µmMIN.
緑色: 0.38 µmMIN.
GREEN: 0.38 µmMIN.
オレンジ色: 0.76 µmMIN.
ORANGE: 0.76 µmMIN.
無色: 1.27 µmMIN.
UNMARKED: 1.27 µmMIN.
5. ハウジングの色は、グレイ。
HOUSING COLOR IS GRAY.
6. 推奨基板厚: t=1.6±0.05
RECOMMENDED P.C.B. THICKNESS: 1.6±0.05

7. 本製品は、52830-4**5の鉛フリー品である。
THIS PRODUCT IS LEAD FREE OF 52830-4**5.

4	4	3.87	3.05	1.27	52830-4442
				0.76	↑ -4432
				0.38	-4422
				0.1	-4412
4	2	4.89	1.02	1.27	-4242
				0.76	-4232
				0.38	↓ -4222
				0.1	52830-4212
ポジション	極数	B	(A)	金メッキ厚 (µmMIN.) Au PLATING THK. (µmMIN.)	MATERIAL NO.
					MODEL NO. 52830-4**2

REVISED EC NO: J2006-0419 DRW: HVAJIMA 2005/11/02 CHK: DAN.UKITA 2005/11/07 APP: R. NUKITA 2005/11/10	GENERAL TOLERANCES (UNLESS SPECIFIED)		DIMENSION STYLE MM ONLY		SCALE 5:1	DESIGN UNITS METRIC	THIRD ANGLE PROJECTION
	10 UNDER	±0.2	DRAWN BY Y. SAKIYAMA	DATE '04/02/10	TITLE BOTTOM LATCH MODULAR JACK HOUSING ASS'Y -LEAD FREE- MOLEX INCORPORATED		
	10 OVER 30 UNDER	±0.25	CHECKED BY M. SASAO	DATE '04/02/10			
	30 OVER	±0.3	APPROVED BY M. SASAO	DATE '04/02/10			
	ANGULAR	±3 °	MATERIAL NO.	DOCUMENT NO.			
DRAFT WHERE APPLICABLE MUST REMAIN WITHIN DIMENSIONS		SEE CHART	SD-52830-001	1 OF 1			