

PLEASE CHECK WWW.MOLEX.COM FOR LATEST PART INFORMATION

Part Number: [0445600014](#)
Status: **Active**
Overview: [modular_plugs_jacks](#)
Description: Modular Jack, Right Angle, Low Profile, 8/8, 4 Ports

Documents:

3D Model	Test Summary (PDF)
Packaging Specification (PDF)	Product Specification PS-44560-003 (PDF)
Drawing (PDF)	RoHS Certificate of Compliance (PDF)

Agency Certification

CSA	LR19980
UL	E107635

General

Product Family	Modular Jacks/Plugs
Series	44560
Component Type	PCB Jack
Magnetic	No
Overview	modular_plugs_jacks
Performance Category	5e
Power over Ethernet (PoE)	N/A
Product Name	RJ45

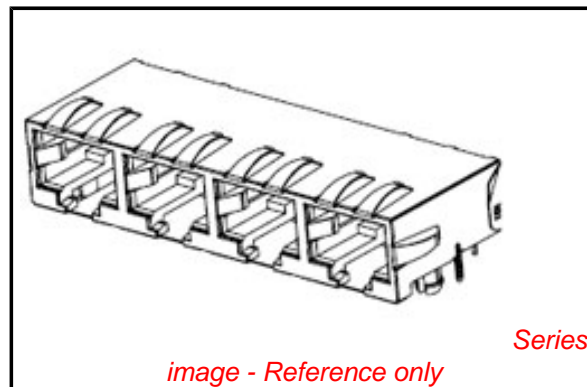
Physical

Color - Resin	Black
Durability (mating cycles max)	500
Flammability	94V-0
Inverted / Top Latch	No
Lightpipes/LEDs	None
Material - Metal	Brass, Phosphor Bronze
Material - Plating Mating	Gold
Material - Plating Termination	Tin
Material - Resin	High Temperature Thermoplastic
Orientation	Right Angle (Side Entry)
PCB Retention	Yes
PCB Thickness Recommended (in)	0.062 In
PCB Thickness Recommended (mm)	1.60 mm
Packaging Type	Tray
Plating min: Mating (µin)	50
Plating min: Mating (µm)	1.25
Plating min: Termination (µin)	100
Plating min: Termination (µm)	2.5
Ports	4
Positions / Loaded Contacts	8/8
Surface Mount Compatible (SMC)	Yes
Temperature Range - Operating	-40°C to +70°C
Termination Interface: Style	Through Hole
Wire/Cable Type	N/A

Electrical

Current - Maximum per Contact	1.5A
Grounding to Panel	Yes
Shielded	Yes
Voltage - Maximum	150V

Solder Process Data



EU RoHS

ELV and RoHS Compliant
REACH SVHC
Contains SVHC: No
Halogen-Free Status

China RoHS



Need more information on product environmental compliance?

Email productcompliance@molex.com
 For a multiple part number RoHS Certificate of Compliance, [click here](#)

Please visit the [Contact Us](#) section for any non-product compliance questions.

Search Parts in this Series

[44560Series](#)

Mates With

FCC 68 Plugs

Duration at Max. Process Temperature (seconds)	5
Lead-free Process Capability	Wave Capable (TH only)
Max. Cycles at Max. Process Temperature	1
Process Temperature max. C	260

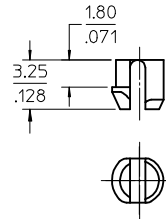
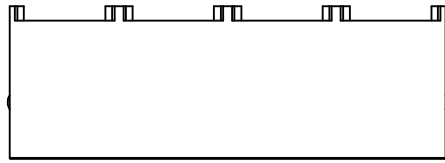
Material Info

Reference - Drawing Numbers

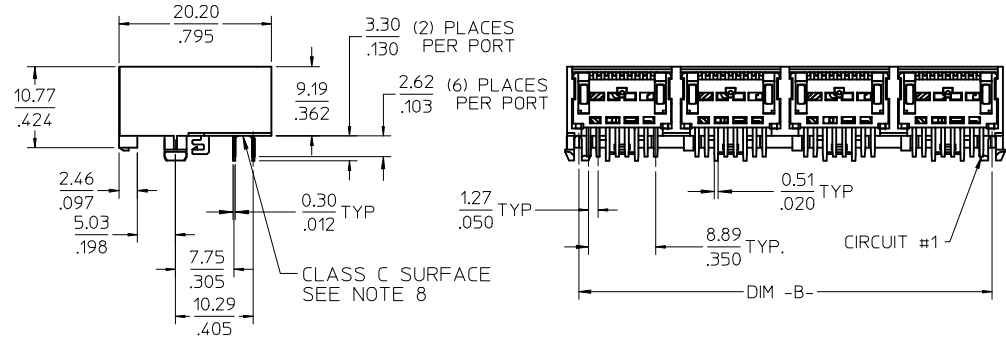
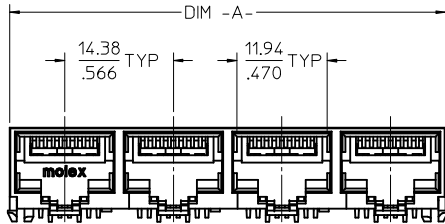
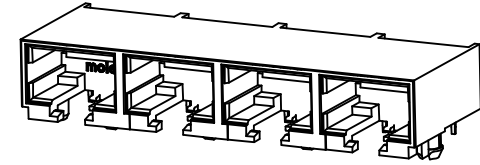
Packaging Specification	PK-44560-005
Product Specification	PS-44560-003, RPS-44560-004
Sales Drawing	SD-44560-001
Test Summary	TS-44560-003

This document was generated on 06/08/2010

PLEASE CHECK WWW.MOLEX.COM FOR LATEST PART INFORMATION



PEG DETAIL
SCALE 4:1



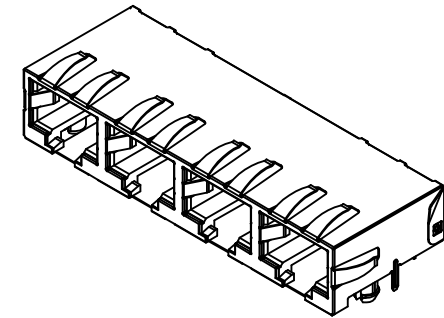
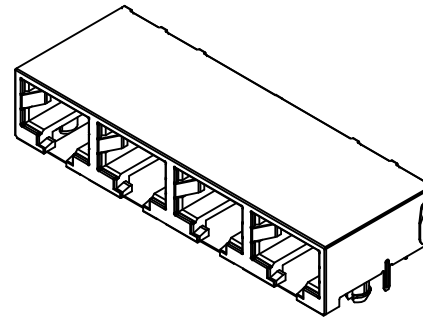
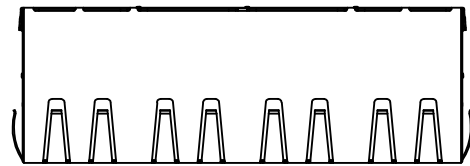
NOTES:

- 1) MATERIAL:
HOUSING: NYLON(PA), GLASS FILLED, UL94V-0, COLOR: BLACK
TERMINALS: PHOSPHOR BRONZE
- 2) FINISH:
TERMINALS:
SELECT GOLD IN CONTACT AREA: 50 MICROINCHES (1.27 MICROMETERS) MIN.,
SELECT MATTE TIN IN PC TAIL AREA: 100 MICROINCHES (2.54 MICROMETERS) MIN.,
WITH OVERALL NICKEL UNDERPLATE: 50 MICROINCHES (1.27 MICROMETERS) MIN.
- 3) PRODUCT SPECIFICATION AND PROCESSING PARAMETERS: PS-44560-003.
- 4) PACKAGING SPECIFICATION:
2 PORT: CONNECTOR PACKAGED IN TRAYS PER MOLEX PACKAGING SPECIFICATION PK-44560-004
4 PORT: CONNECTOR PACKAGED IN TRAYS PER MOLEX PACKAGING SPECIFICATION PK-44560-005
- 5) CONFORMS TO FCC REGULATION PART 68.5 FOR MODULAR JACKS.
- 6) SEE SHEET (4) OF (4) FOR RECOMMENDED PANEL OPENING AND PCB LAYOUT.
- 7) TERMINAL LENGTHS MAY BE DIFFERENT FROM TERMINAL TO TERMINAL.
- 8) THIS PART CONFORMS TO CLASS B REQUIREMENTS OF COSMETIC SPECIFICATION PS-45499-002 WITH THE EXCEPTION OF THE SURFACE INDICATED, WHICH IS A CLASS C SURFACE.
- 9) THIS PRODUCT IS COMPLIANT TO RoHS DIRECTIVE 2002/95/EC AND ELV ANNEX II OF DIRECTIVE 2000/53/EC.

ASSEMBLY MATERIAL NUMBER	NUMBER OF PORTS	DIM -A-	DIM -B-
445600001	2	28.96/1.140	25.68/1.011
445600003	4	57.71/2.272	54.43/2.143

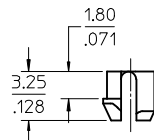
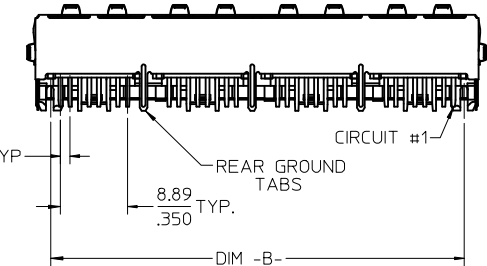
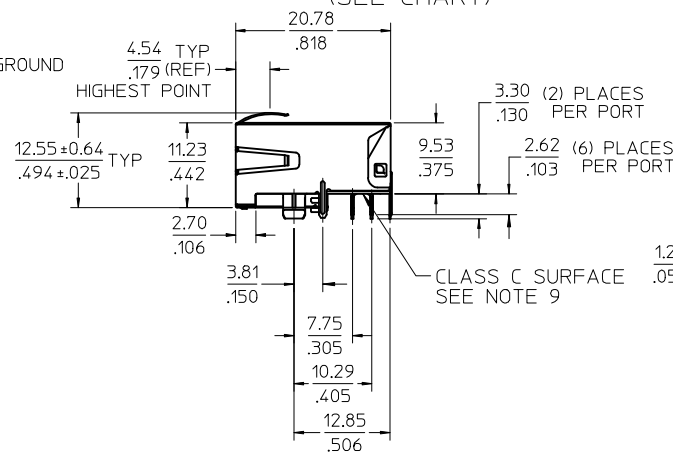
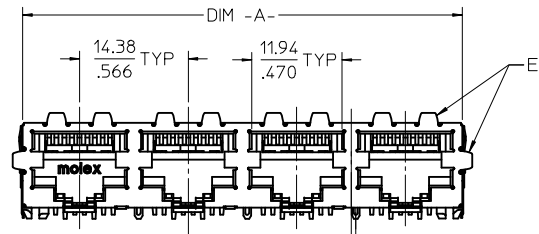
UPDATE NOTES IEC NO: UCP2009-2794 DRW: J.BELL 2009/07/06 CHK: D.M.KIPPER 2009/07/22 APPR: F.SMITH 2009/07/23 REV: G2	QUALITY SYMBOLS = 0 = 0.012 = 0.30	GENERAL TOLERANCES (UNLESS SPECIFIED)		DIMENSION STYLE MM/IN		SCALE 2:1	DESIGN UNITS INCH	THIRD ANGLE PROJECTION	
		4 PLACES ± --- ± --- 3 PLACES ± --- ± .012 2 PLACES ± 0.30 ± --- 1 PLACE ± --- ± --- ANGULAR ± 1/2°	mm INCH	DRAWN BY MKAMAR	DATE 00/03/28	COMPACT GANGED CATEGORY 5E MODJACK			
		DRAFT WHERE APPLICABLE MUST REMAIN WITHIN DIMENSIONS		CHECKED BY MKAMAR	DATE 00/03/28	MOLEX INCORPORATED			
				APPROVED BY JROBERTS	DATE 00/03/28	MATERIAL NO. SEE CHART	DOCUMENT NO. SD-44560-001	SHEET NO. 1 OF 4	

THIS DRAWING CONTAINS INFORMATION THAT IS PROPRIETARY TO MOLEX INCORPORATED AND SHOULD NOT BE USED WITHOUT WRITTEN PERMISSION



SHIELDING OPTION -A-
STANDARD SHIELD
(SEE CHART)

SHIELDING OPTION -B-
ENHANCED GROUND TABS
(SEE CHART)

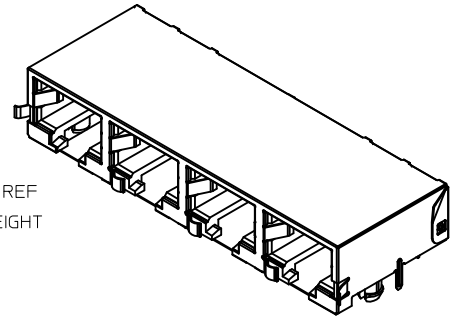
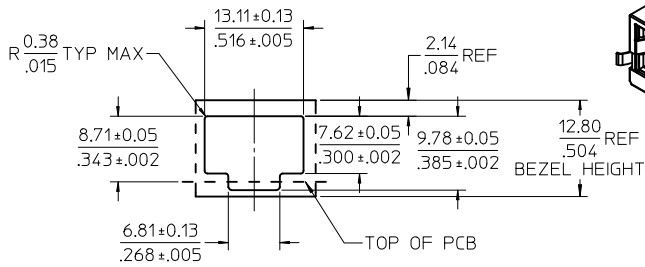
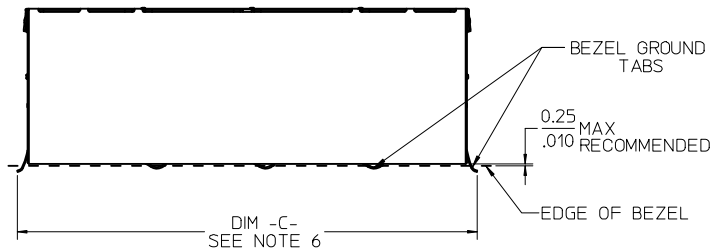


PEG DETAIL
SCALE 4:1

- NOTES:
1) MATERIAL:
HOUSING: NYLON(PA), GLASS FILLED, UL94V-0, COLOR: BLACK
TERMINALS: PHOSPHOR BRONZE
SHIELD: BRASS, .0077(0.18) THICK
2) FINISH:
TERMINALS:
SELECT GOLD IN CONTACT AREA: 50 MICROINCHES (1.27 MICROMETERS) MIN.,
SELECT MATTE TIN IN PC TAIL AREA: 100 MICROINCHES (2.54 MICROMETERS) MIN.,
WITH OVERALL NICKEL UNDERPLATE: 50 MICROINCHES (1.27 MICROMETERS) MIN.
SHIELD:
100 MICROINCHES (2.54 MICROMETERS) NICKEL OVER 50 MICROINCHES
(1.27 MICROMETERS) COPPER UNDERPLATE, PCB GROUND TABS DIPPED IN TIN.
3) PRODUCT SPECIFICATION AND PROCESSING PARAMETERS: PS-44560-003.
4) PACKAGING SPECIFICATION:
2 PORT: CONNECTOR PACKAGED IN TRAYS PER MOLEX PACKAGING SPECIFICATION
PK-44560-004
4 PORT: CONNECTOR PACKAGED IN TRAYS PER MOLEX PACKAGING SPECIFICATION
PK-44560-005
5) CONFORMS TO FCC REGULATION PART 68.5 FOR MODULAR JACKS.
6) ENHANCED GROUND TABS SHIELD (OPTION -B-) IS SHOWN IN THIS
DRAWING. (SEE CHART)
7) SEE SHEET (4) OF (4) FOR RECOMMENDED PANEL OPENING AND PCB LAYOUT.
8) TERMINAL LENGTHS MAY BE DIFFERENT FROM TERMINAL TO TERMINAL.
9) THIS PART CONFORMS TO CLASS B REQUIREMENTS OF COSMETIC
SPECIFICATION PS-45499-002 WITH THE EXCEPTION OF THE SURFACE
INDICATED, WHICH IS A CLASS C SURFACE.
10) THIS PRODUCT IS COMPLIANT TO RoHS DIRECTIVE 2002/95/EC AND ELV ANNEX
II OF DIRECTIVE 2000/53/EC.

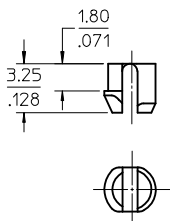
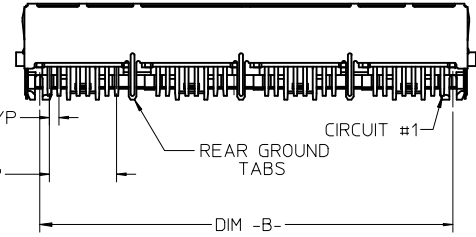
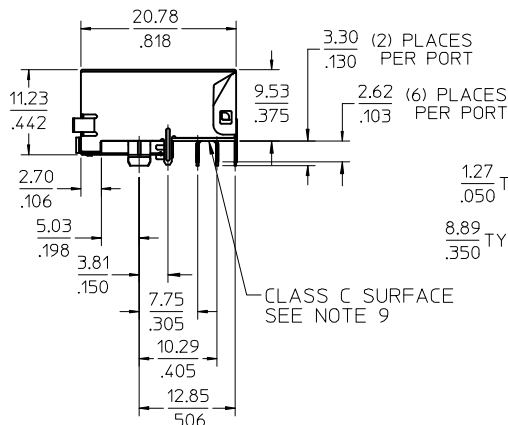
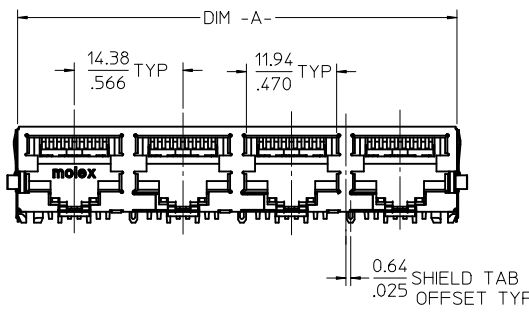
ASSEMBLY MATERIAL NUMBER	SHIELDING OPTION	NUMBER OF REAR GROUND TABS	NUMBER OF PORTS	DIM -A-	DIM -B-
445600002	A	1	2	29.44/1.159	25.68/1.011
445600004	A	3	4	58.19/2.291	54.43/2.143
445600012	B	1	2	29.44/1.159	25.68/1.011
445600014	B	3	4	58.19/2.291	54.43/2.143

UPDATE NOTES EC NO: UCP2009-2791 DRWIN:JBELL 2009/07/06 CHKD:MKIPPER 2009/07/22 APPR:FSMITH 2009/07/23 G2	DESCRIPTION REV:	QUALITY SYMBOLS ▽=0 ▽=0	GENERAL TOLERANCES (UNLESS SPECIFIED)		DIMENSION STYLE MM/IN		SCALE 2:1	DESIGN UNITS INCH	THIRD ANGLE PROJECTION																
		<table border="1"> <thead> <tr> <th></th> <th>mm</th> <th>INCH</th> </tr> </thead> <tbody> <tr> <td>4 PLACES ±</td> <td>---</td> <td>±---</td> </tr> <tr> <td>3 PLACES ±</td> <td>---</td> <td>±.012</td> </tr> <tr> <td>2 PLACES ±</td> <td>0.30</td> <td>±---</td> </tr> <tr> <td>1 PLACE ±</td> <td>---</td> <td>±---</td> </tr> </tbody> </table>			mm	INCH	4 PLACES ±	---	±---	3 PLACES ±	---	±.012	2 PLACES ±	0.30	±---	1 PLACE ±	---	±---	DRAWN BY MKAMAR 00/03/28		DATE 00/03/28		COMPACT GANGED CATEGORY 5E MODJACK		
			mm	INCH																					
		4 PLACES ±	---	±---																					
3 PLACES ±	---	±.012																							
2 PLACES ±	0.30	±---																							
1 PLACE ±	---	±---																							
CHECKED BY MKAMAR 00/03/28		DATE 00/03/28																							
APPROVED BY JROBERTS 00/03/28		DATE 00/03/28		MATERIAL NO. SEE CHART		DOCUMENT NO. SD-44560-001		SHEET NO. 2 OF 4																	
DRAFT WHERE APPLICABLE MUST REMAIN WITHIN DIMENSIONS			SIZE C			THIS DRAWING CONTAINS INFORMATION THAT IS PROPRIETARY TO MOLEX INCORPORATED AND SHOULD NOT BE USED WITHOUT WRITTEN PERMISSION																			



RECOMMENDED
PANEL OPENING
(EACH PORT)
FOR PMC BEZEL ONLY

SHIELDING OPTION -C-
BEZEL GROUND TABS

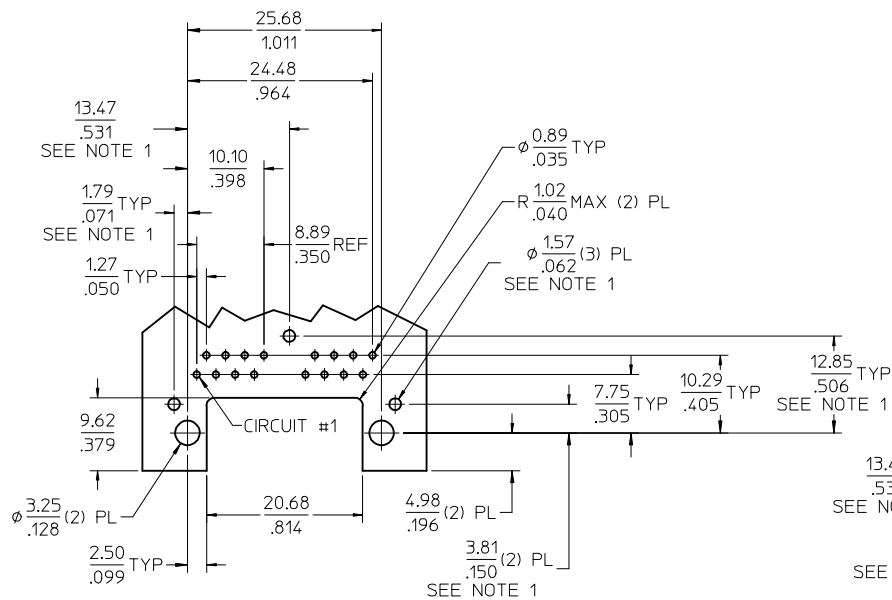


PEG DETAIL
SCALE 4:1

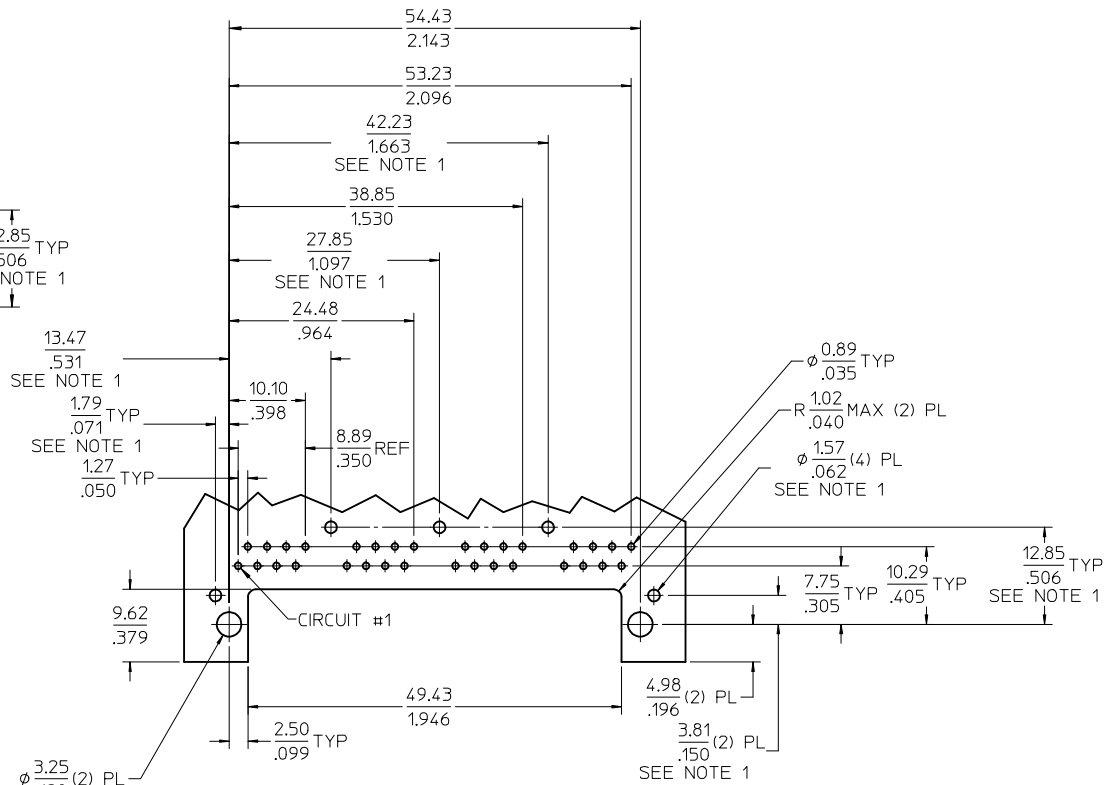
- NOTES:
- MATERIAL:
HOUSING: NYLON(IPA), GLASS FILLED, UL94V-0, COLOR: BLACK
TERMINALS: PHOSPHOR BRONZE
SHIELD: BRASS, .007/(0.18) THICK
 - FINISH:
TERMINALS:
SELECT GOLD IN CONTACT AREA: 50 MICROINCHES (1.27 MICROMETERS) MIN.
SELECT MATTE TIN IN PC TAIL AREA: 100 MICROINCHES (2.54 MICROMETERS) MIN.
WITH OVERALL NICKEL UNDERPLATE: 50 MICROINCHES (1.27 MICROMETERS) MIN.
SHIELD:
100 MICROINCHES (2.54 MICROMETERS) NICKEL OVER 50 MICROINCHES (1.27 MICROMETERS) COPPER UNDERPLATE, PCB GROUND TABS DIPPED IN TIN.
 - PRODUCT SPECIFICATION AND PROCESSING PARAMETERS: PS-44560-003.
 - PACKAGING SPECIFICATION:
2 PORT: CONNECTOR PACKAGED IN TRAYS PER MOLEX PACKAGING SPECIFICATION PK-44560-004
4 PORT: CONNECTOR PACKAGED IN TRAYS PER MOLEX PACKAGING SPECIFICATION PK-44560-005
 - CONFORMS TO FCC REGULATION PART 68.5 FOR MODULAR JACKS.
 - THIS DIMENSION HAS A MAXIMUM OF 34.82/1.371 FOR THE (2) PORT PART AND 63.57/2.503 FOR THE (4) PORT PART WHEN THE JACK IS INSTALLED BEHIND THE BEZEL.
 - SEE SHEET (4) OF (4) FOR RECOMMENDED PCB LAYOUT.
 - TERMINAL LENGTHS MAY BE DIFFERENT FROM TERMINAL TO TERMINAL.
 - THIS PART CONFORMS TO CLASS B REQUIREMENTS OF COSMETIC SPECIFICATION PS-45499-002 WITH THE EXCEPTION OF THE SURFACE INDICATED, WHICH IS A CLASS C SURFACE.
 - THIS PRODUCT IS COMPLIANT TO RoHS DIRECTIVE 2002/95/EC AND ELV ANNEX II OF DIRECTIVE 2000/53/EC.

ASSEMBLY MATERIAL NUMBER	SHIELDING OPTION	NUMBER OF REAR GROUND TABS	NUMBER OF PORTS	DIM -A-	DIM -B-	DIM -C-
445600022	C	1	2	29.44/1.159	25.68/1.011	32.13/1.265
445600024	C	3	4	58.19/2.291	54.43/2.143	60.88/2.397

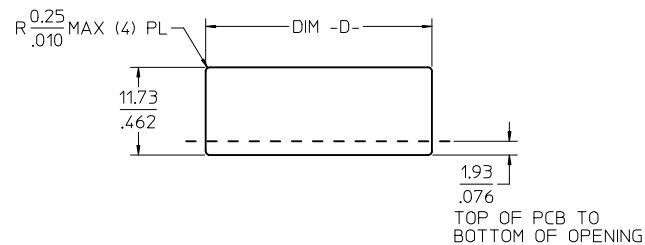
UPDATE NOTES EC NO: UCP2009-2791 DRWN: J.BELL 2009/07/06 CHKD: HK IPPER 2009/07/22 APPR: FSMITH 2009/07/23	QUALITY SYMBOLS ▽=0 ▽=0	GENERAL TOLERANCES (UNLESS SPECIFIED) <table border="1"> <thead> <tr> <th></th> <th>mm</th> <th>INCH</th> </tr> </thead> <tbody> <tr> <td>4 PLACES</td> <td>± .005</td> <td>± .0005</td> </tr> <tr> <td>3 PLACES</td> <td>± .002</td> <td>± .0002</td> </tr> <tr> <td>2 PLACES</td> <td>± 0.30</td> <td>± .012</td> </tr> <tr> <td>1 PLACE</td> <td>± .005</td> <td>± .0005</td> </tr> </tbody> </table>		mm	INCH	4 PLACES	± .005	± .0005	3 PLACES	± .002	± .0002	2 PLACES	± 0.30	± .012	1 PLACE	± .005	± .0005	DIMENSION STYLE MM/IN	SCALE 2:1	DESIGN UNITS INCH	THIRD ANGLE PROJECTION
		mm	INCH																		
	4 PLACES	± .005	± .0005																		
	3 PLACES	± .002	± .0002																		
2 PLACES	± 0.30	± .012																			
1 PLACE	± .005	± .0005																			
DRAWN BY MKAMAR	DATE 00/03/28	COMPACT GANGED CATEGORY 5E MODJACK																			
CHECKED BY MKAMAR	DATE 00/03/28																				
APPROVED BY JROBERTS	DATE 00/03/28	MOLEX INCORPORATED																			
MATERIAL NO. SEE CHART	DOCUMENT NO. SD-44560-001																				
DRAFT WHERE APPLICABLE MUST REMAIN WITHIN DIMENSIONS		SIZE C	THIS DRAWING CONTAINS INFORMATION THAT IS PROPRIETARY TO MOLEX INCORPORATED AND SHOULD NOT BE USED WITHOUT WRITTEN PERMISSION																		



2 PORT ASSEMBLY
PCB LAYOUT : COMPONENT SIDE
RECOMMENDED PCB THICKNESS: 1.57/.062
TOLERANCE ±.076/0.003 UNLESS OTHERWISE SPECIFIED

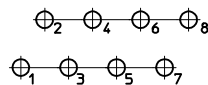


4 PORT ASSEMBLY
PCB LAYOUT : COMPONENT SIDE
RECOMMENDED PCB THICKNESS: 1.57/.062
TOLERANCE ±.076/0.003 UNLESS OTHERWISE SPECIFIED



NUMBER OF PORTS	DIM -D-
2	30.20/1.189
4	58.95/2.321

RECOMMENDED
PANEL OPENING
SHIELDING OPTIONS
A AND B



TYPICAL PC TERMINAL HOLE LAYOUT
SCALE 5:1

NOTES:

1. DIMENSIONS REFER TO ASSEMBLIES WITH SHIELDING OPTION

SEE SHEET 1 EC NO: UCP2009-2791 DRWN:JBELL 2009/07/06 CHKD:MKIPPER 2009/07/22 APPR:FSMITH 2009/07/23	QUALITY SYMBOLS	GENERAL TOLERANCES (UNLESS SPECIFIED) <table border="1"> <tr> <th></th> <th>mm</th> <th>INCH</th> </tr> <tr> <td>4 PLACES</td> <td>± ---</td> <td>± ---</td> </tr> <tr> <td>3 PLACES</td> <td>± ---</td> <td>± .012</td> </tr> <tr> <td>2 PLACES</td> <td>± 0.30</td> <td>± ---</td> </tr> <tr> <td>1 PLACE</td> <td>± ---</td> <td>± ---</td> </tr> </table> ANGULAR ±1/2°		mm	INCH	4 PLACES	± ---	± ---	3 PLACES	± ---	± .012	2 PLACES	± 0.30	± ---	1 PLACE	± ---	± ---	DIMENSION STYLE MM/IN	SCALE 2:1	DESIGN UNITS INCH	THIRD ANGLE PROJECTION
			mm	INCH																	
	4 PLACES		± ---	± ---																	
	3 PLACES		± ---	± .012																	
2 PLACES	± 0.30	± ---																			
1 PLACE	± ---	± ---																			
DRAWN BY MKAMAR	DATE 00/03/28	COMPACT GANGED CATEGORY 5E MODJACK																			
CHECKED BY MKAMAR	DATE 00/03/28	MOLEX INCORPORATED																			
APPROVED BY JROBERTS	DATE 00/03/28	MATERIAL NO. N/A	DOCUMENT NO. SD-44560-001	SHEET NO. 4 OF 4																	
G2	DESCRIPTION REV	DRAFT WHERE APPLICABLE MUST REMAIN WITHIN DIMENSIONS	SIZE C	THIS DRAWING CONTAINS INFORMATION THAT IS PROPRIETARY TO MOLEX INCORPORATED AND SHOULD NOT BE USED WITHOUT WRITTEN PERMISSION																	