

PLEASE CHECK WWW.MOLEX.COM FOR LATEST PART INFORMATION

Part Number: [0355244929](#)
Status: **Active**
Description: 1.78mm (.070") Tab Multiple Male Housing With Ear, 9 Circuits, Vertical, Polyester Carbonate UL94V-0, Natural, Glow Wire Compatible

Documents:

[Drawing \(PDF\)](#) [RoHS Certificate of Compliance \(PDF\)](#)
[Product Specification PS-35524-001 \(PDF\)](#)

General

| | |
|----------------|--------------------------|
| Product Family | Crimp Housings |
| Series | 35524 |
| Comments | Polarized to Mating Part |
| Product Name | N/A |

Physical

| | |
|-------------------------------|--------------------|
| Breakaway | No |
| Circuits (maximum) | 9 |
| Color - Resin | Blue |
| Gender | Male |
| Glow-Wire Compliant | Yes |
| Keying to Mating Part | None |
| Lock to Mating Part | Yes |
| Material - Resin | Polyester Alloy |
| Packaging Type | Bag |
| Panel Mount | No |
| Pitch - Mating Interface (in) | 0.244 In, 0.287 In |
| Pitch - Mating Interface (mm) | 6.20 mm, 7.30 mm |
| Polarized to Mating Part | Yes |
| Ports | 1 |
| Stackable | No |
| Temperature Range - Operating | -40°C to +120°C |

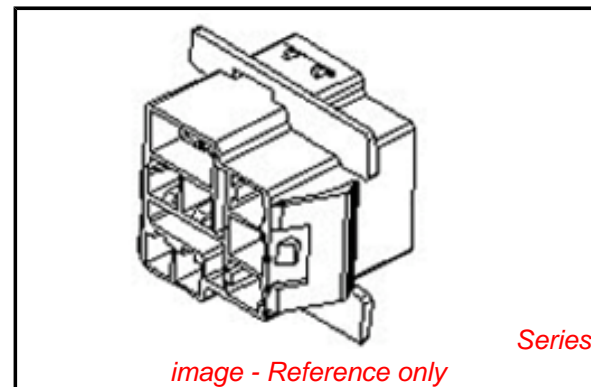
Electrical

| | |
|-------------------------------|-----|
| Current - Maximum per Contact | 11A |
|-------------------------------|-----|

Material Info

Reference - Drawing Numbers

| | |
|-----------------------|--------------|
| Product Specification | PS-35524-001 |
| Sales Drawing | SD-35524-001 |



EU RoHS

ELV and RoHS Compliant
REACH SVHC
 Not Reviewed
Halogen-Free Status
 Not Reviewed

China RoHS



Need more information on product environmental compliance?

Email productcompliance@molex.com
 For a multiple part number RoHS Certificate of Compliance, [click here](#)

Please visit the [Contact Us](#) section for any non-product compliance questions.

Search Parts in this Series

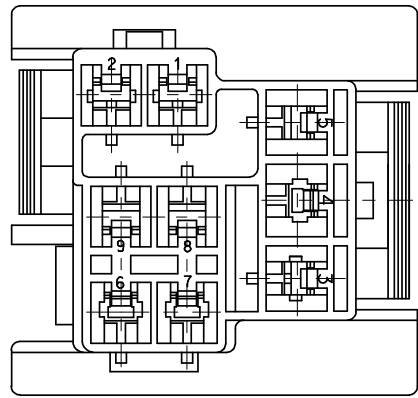
[35524Series](#)

Mates With

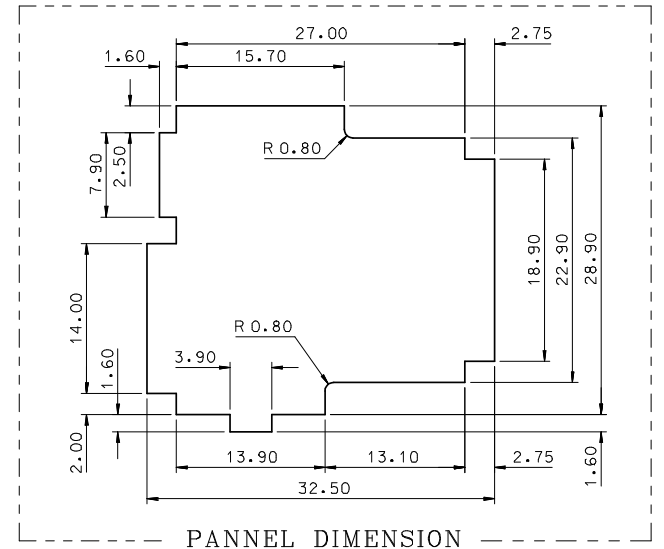
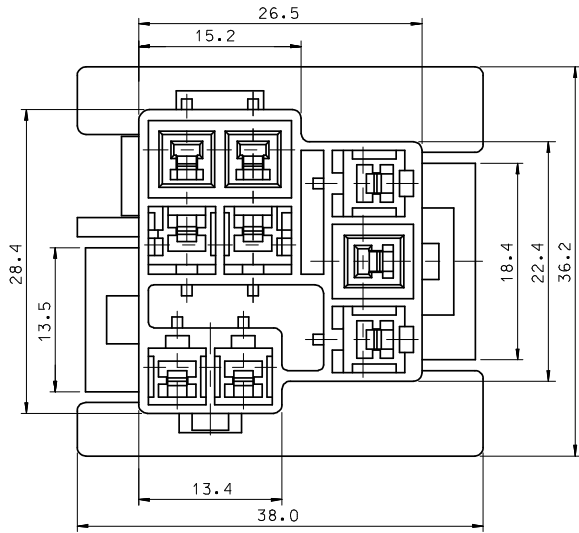
[35151](#) VersaBlade™ Hybrid Plug Housing,
[35525](#) Tab Female Housing

Use With

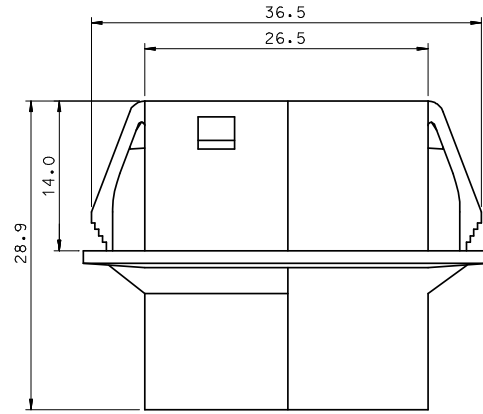
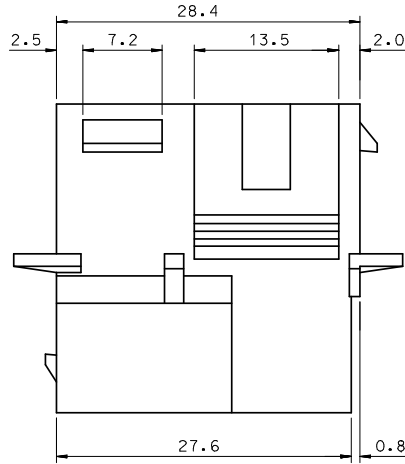
[35151](#) VersaBlade™ Hybrid Plug Housing.
[35525](#) Tab Female Housing



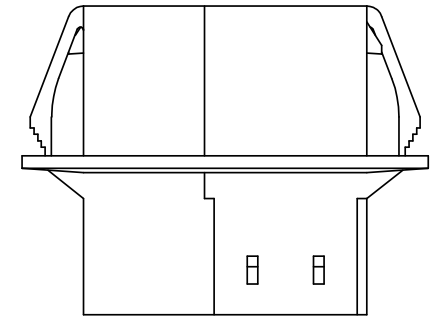
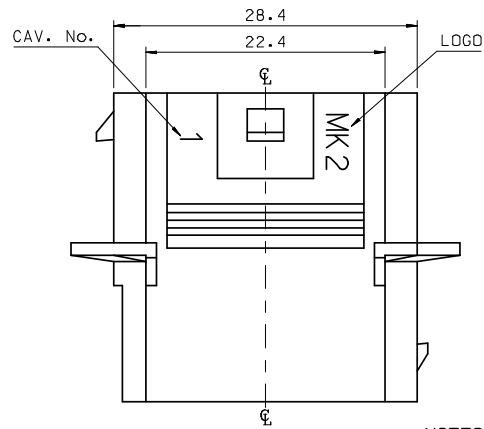
VIEW "A"



PANNEL DIMENSION



↑
"A"



- NOTES.
1. MATERIAL : SEE TABLE.
 2. MATED HOUSING : 35524-020*/35151-021*/35151-031*/35151-041*
 3. APPLICABLE TERMINAL : 35745-0*10 (1,2,3 CIRCUIT)
35746-0*10 (4,6,7 CIRCUIT)
35747-0*10 (5,8,9 CIRCUIT)
 4. MATED T.P.A : 35150-029*/35150-039*

| NO | PRODUCT | | MATERIAL | | DESCRIPTION |
|----|------------|--------------|------------|---------|---------------------|
| | ENG NO. | MATERIAL NO. | EDP NO. | COLOR | |
| 1 | 35524-0920 | 355240920 | 89992-0090 | NATURAL | PBT (UL94V-0) |
| 2 | 35524-0924 | 355240924 | 89992-0865 | BLUE | |
| 3 | 35524-0929 | 355240929 | 89992-1234 | NATURAL | PBT/PC (UL94V-0) |
| 4 | 35524-4929 | 355244929 | 89992-1329 | BLUE | |

| | | |
|----------------|---------------------|------------|
| REVISED | EC NO: KOR2008-0103 | 2007/12/21 |
| DRWN:SKHAN01 | 2007/12/21 | |
| CHKD:WY YANG | 2007/12/21 | |
| APPR:YUNSIKKIM | 2007/12/21 | |
| REV | DESCRIPTION | |

| QUALITY SYMBOLS | GENERAL TOLERANCES (UNLESS SPECIFIED) | |
|-----------------|--|-------|
| | mm | INCH |
| ▽=0 | 4 PLACES ± --- | ± --- |
| ▽=0 | 3 PLACES ± --- | ± --- |
| | 2 PLACES ± --- | ± --- |
| | 1 PLACE ± 0.3 | ± --- |
| | ANGULAR ± 3° | |
| | DRAFT WHERE APPLICABLE MUST REMAIN WITHIN DIMENSIONS | |

| DIMENSION STYLE | | SCALE | DESIGN UNITS | THIRD ANGLE PROJECTION |
|-----------------|--------------|-------------------------------|--------------|------------------------|
| MM ONLY | | 2:1 | METRIC | |
| DRAWN BY | DATE | TITLE | | |
| SK.HAN | 2007/12/13 | 070 MULTICONN MALE HOUSING-9P | | |
| CHECKED BY | DATE | | | |
| WY.YANG | 2007/12/13 | MOLEX INCORPORATED | | |
| APPROVED BY | DATE | | | |
| EH. JUNG | 2007/12/13 | SD-35524-001 | | |
| MATERIAL NO. | DOCUMENT NO. | | | |
| SEE TABLE | | SHEET NO. 1 OF 1 | | |

| | |
|---|--|
| THIS DRAWING CONTAINS INFORMATION THAT IS PROPRIETARY TO MOLEX INCORPORATED AND SHOULD NOT BE USED WITHOUT WRITTEN PERMISSION | |
|---|--|