



# TAI-SAW TECHNOLOGY CO., LTD.

No. 3, Industrial 2nd Rd., Ping-Chen Industrial District,  
Taoyuan, 324, Taiwan, R.O.C.

TEL: 886-3-4690038 FAX: 886-3-4697532

E-mail: [tstsales@mail.taisaw.com](mailto:tstsales@mail.taisaw.com) Web: [www.taisaw.com](http://www.taisaw.com)

## Approval Sheet For Product Specification

Issued Date:

Product Name: SAW Filter 433.92MHz SMD5.0X5.0mm

TST Parts No.: TA0412A

Customer Parts No.: \_\_\_\_\_

Company: _____
Division: _____
Approved by : _____
Date: _____

Checked by: \_\_\_\_\_ Jacky Huang

Approval by: \_\_\_\_\_ Francis Chen

Date: \_\_\_\_\_ 2004/11/26



# TAI-SAW TECHNOLOGY CO., LTD.

No. 3, Industrial 2nd Rd., Ping-Chen Industrial District,  
Taoyuan, 324, Taiwan, R.O.C.

TEL: 886-3-4690038 FAX: 886-3-4697532

E-mail: [tstsales@mail.taisaw.com](mailto:tstsales@mail.taisaw.com) Web: [www.taisaw.com](http://www.taisaw.com)

## SAW Filter 433.92 MHz

MODEL NO.: TA0412A

REV. NO.:1

### A. MAXIMUM RATING:

1. Input Power Level: 10 dBm
2. DC voltage: 3 V
3. Operating Temperature: -40°C to +85°C
4. Storage Temperature: -40°C to +85°C

RoHS Compliant  
Lead free  
Lead-free soldering

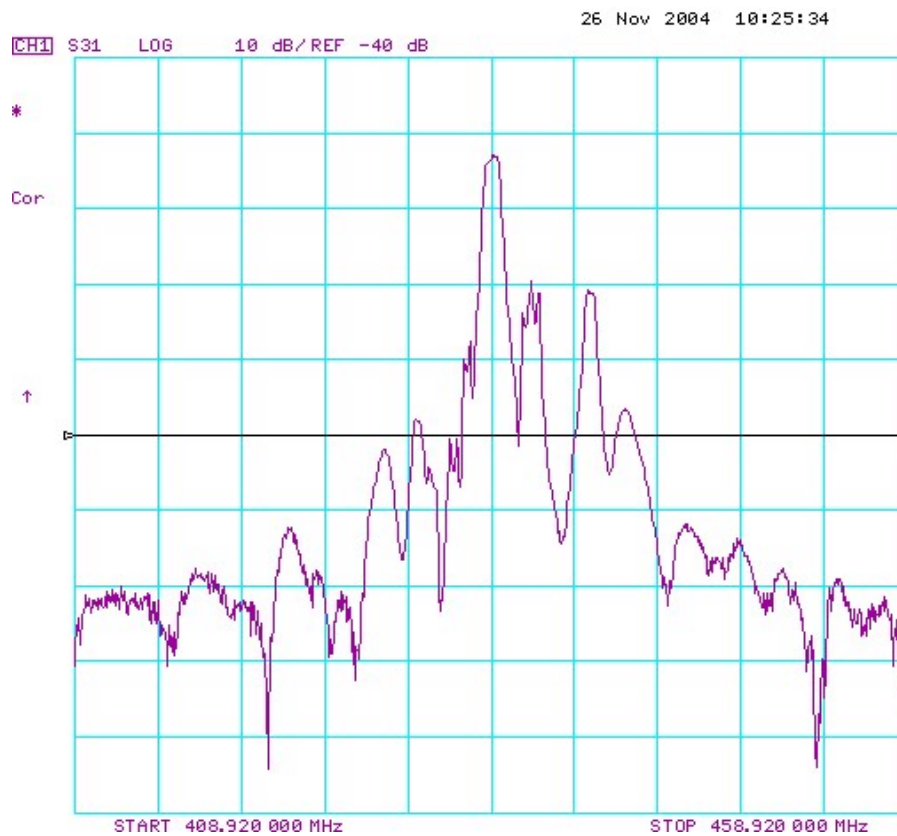
### B. ELECTRICAL CHARACTERISTICS:

Reference temperature: TA = -40 to 85°C

Item	Min.	Typ.	Max.	Note
Center frequency $F_c$ (MHz)	-	433.92	-	1
Minimum I.L. (dB) $IL_{min}$	-	3.0	4.0	
Pass band (relative to $IL_{min}$ ) 433.67~434.17 MHz (dB)	-	0.7	3.0	1
Pass bandwidth (relative to $IL_{min}$ ) $BW_3$ (KHz)	500	950	-	
Attenuation:( relative to $IL_{min}$ ) (dB )				
10~412.52 MHz (dB )	47	52	-	1
412.52~423.22 MHz (dB )	40	45	-	
423.22~432.92 MHz (dB )	15	22	-	
434.92~444.62 MHz (dB )	10	15	-	
444.62~455.32 MHz (dB )	38	43	-	
455.32~1000 MHz (dB )	43	48	-	
Impedance at $F_c$ ; Input $Z_{IN}=R_{IN}/C_{IN}$ Output $Z_{OUT}=R_{OUT}/C_{OUT}$	768Ω // 2.7 pF 768Ω // 2.7 pF			

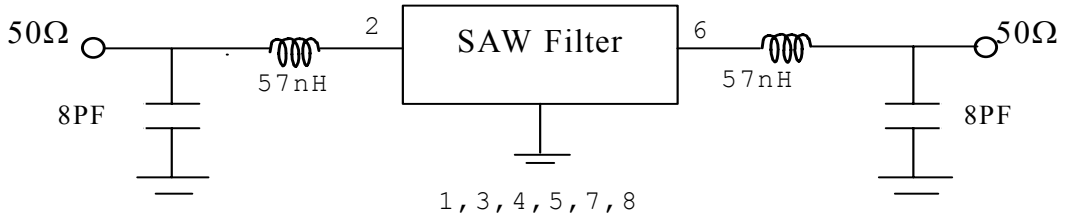
Note1. The standard definitions is in JIS C 6703

### C. FREQUENCY CHARACTERISTICS:



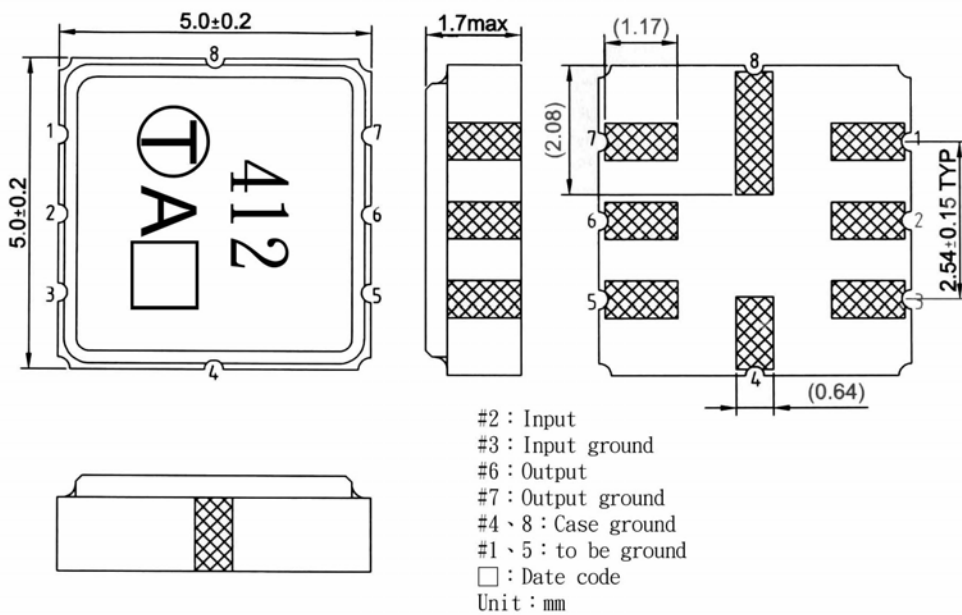
D. MEASUREMENT CIRCUIT:

HP Network analyzer

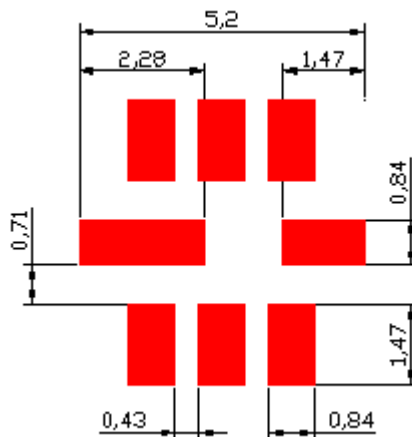


Matching inductance: from Coilcraft

E. OUTLINE DRAWING:

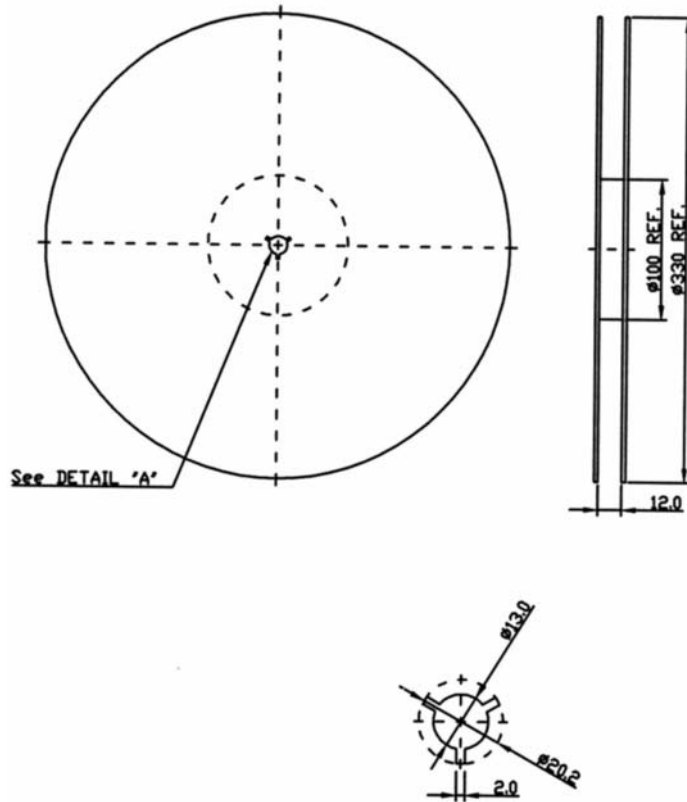


F. PCB FootPrint



G. PACKING:

1. REEL DIMENSION



2. TAPE DIMENSION

