

PLEASE CHECK WWW.MOLEX.COM FOR LATEST PART INFORMATION

Part Number: [1050570001](#)
Status: **Active**
Description: Universal Serial Bus (USB) Shielded I/O Type A Receptacle, Vertical, 0.76µm (30µ") Gold (Au) Plating, Solder Tail Length 2.80mm (.110"), with 3 Beveled Metal Pins, Tray Package, Lead Free

Documents:

[3D Model](#) [Product Specification PS-105057-001 \(PDF\)](#)
[Drawing \(PDF\)](#) [RoHS Certificate of Compliance \(PDF\)](#)

General

Product Family	I/O Connectors
Series	105057
Application	Wire-to-Board
Component Type	Receptacle
Product Name	USB
Type	A

Physical

Circuits (Loaded)	4
Color - Resin	Black
Lock to Mating Part	Yes
Material - Plating Mating	Gold
Material - Plating Termination	Tin
Orientation	Vertical
PC Tail Length (in)	0.110 In
PC Tail Length (mm)	2.80 mm
PCB Locator	No
PCB Retention	Yes
PCB Thickness Recommended (in)	0.062 In
PCB Thickness Recommended (mm)	1.60 mm
Packaging Type	Tray
Panel Mount	No
Pitch - Mating Interface (in)	0.079 In
Pitch - Mating Interface (mm)	2.00 mm
Plating min: Mating (µin)	30
Plating min: Mating (µm)	0.76
Plating min: Termination (µin)	0.150
Plating min: Termination (µm)	3.80
Polarized to Mating Part	Yes
Surface Mount Compatible (SMC)	No
Temperature Range - Operating	-40°C to +85°C
Termination Interface: Style	Through Hole

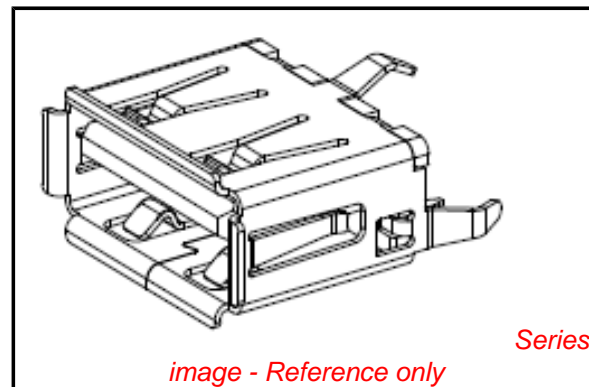
Electrical

Current - Maximum per Contact	1.5A
Shielded	Yes
Voltage - Maximum	30V

Material Info

Reference - Drawing Numbers

Product Specification	PS-105057-001
Sales Drawing	SD-105057-001



EU RoHS

**ELV and RoHS
Compliant**
REACH SVHC
 Not Reviewed
**Halogen-Free
Status**

China RoHS



Not Reviewed

**Need more information on product
environmental compliance?**

Email productcompliance@molex.com
 For a multiple part number RoHS Certificate of Compliance, [click here](#)

Please visit the [Contact Us](#) section for any non-product compliance questions.

Search Parts in this Series

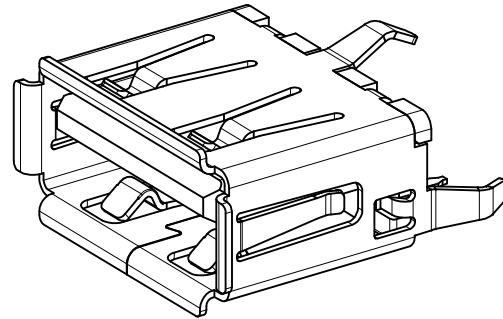
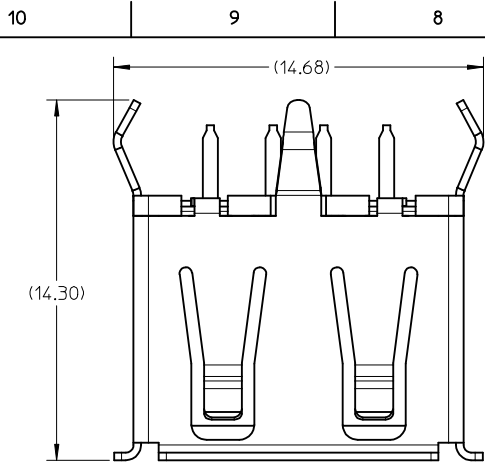
[105057Series](#)

Mates With

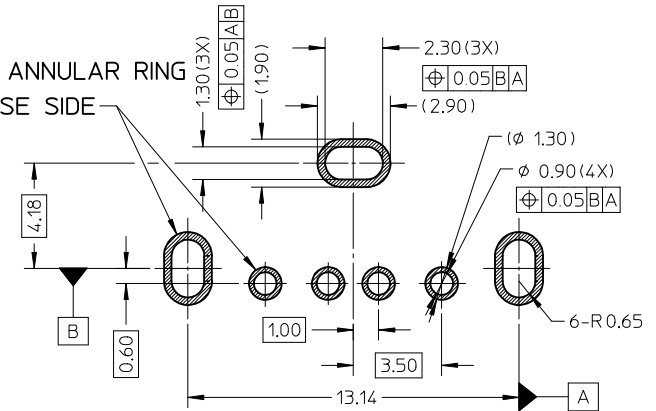
[USB Type A Cable](#)

This document was generated on 04/01/2010

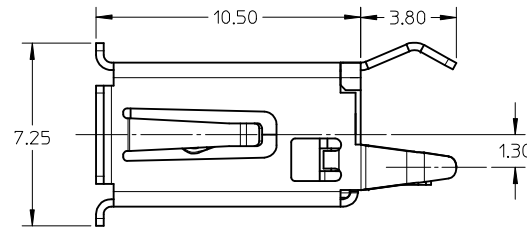
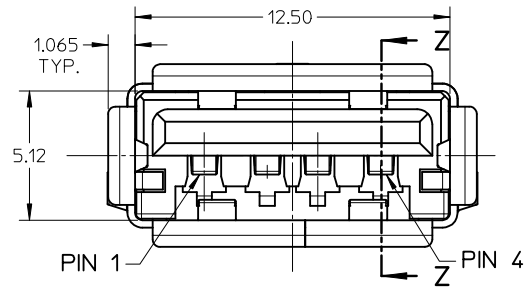
PLEASE CHECK WWW.MOLEX.COM FOR LATEST PART INFORMATION



ONLY REQUESTED ANNULAR RING
ON THE REVERSE SIDE

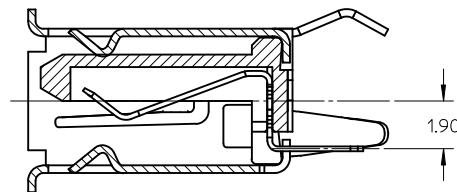
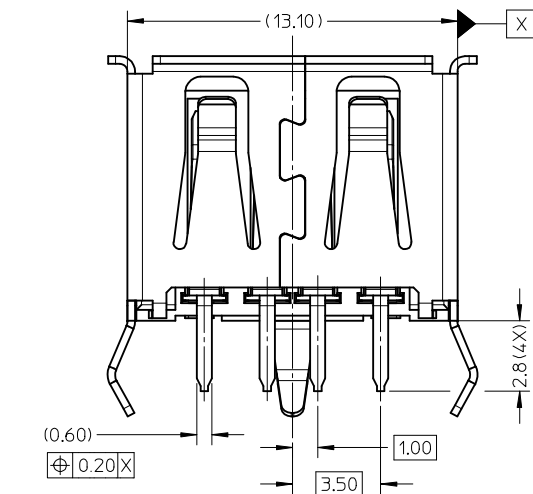


COMPONENT MOUNT SIDE
PWB THICKNESS 1.60MM
(DEFAULT TOLERANCE ± 0.05 MM)



NOTE :

- MATERIAL :
HOUSING : THERMOPLASTIC 30% GLASS FILLED , BLACK,UL94V-0
TERMINAL : COPPER ALLOY THICKNESS 0.20mm.
SHELL : STAINLESS STEEL THICKNESS 0.30mm.
- PLATING :
TERMINAL:
CONTACT AREA : GOLD 0.76 MICROMETER MIN.
SOLDERING AREA : MATTE TIN 3.8 MICROMETER MIN.
UNDERPLATING : NICKEL 1.27 MICROMETER MIN.
SHELL:
OVERALL SOLDERING NICKEL 1.27 MICROMETER MIN.
- PRODUCT CHARACTERS SPEC: PER PS-105057-001.
- PACKAGE INFORMATION: PER PK-105057-001.
- THE PART COMPLIANT TO RoHS DIRECTIVE 2002/95/EC AND ELV 2000/53/EC.



SECTION Z-Z

NEW RELEASE EC NO: SHZ009-0472 DRW:RZHANG 2009/01/20 CHKD: 2009/01/21 APPR:HWANG 2009/02/25	QUALITY SYMBOLS $\nabla=0$ $\triangleleft=0$	GENERAL TOLERANCES (UNLESS SPECIFIED)		DIMENSION STYLE MM ONLY		SCALE 5:1	DESIGN UNITS METRIC	\odot \triangleleft THIRD ANGLE PROJECTION		
			mm	INCH	DRAWN BY	DATE	TITLE			
		4 PLACES	\pm ---	\pm ---	DAVID HU	2008/06/05	VERTICAL USB TYPE LEAD FREE			
		3 PLACES	\pm ---	\pm ---	CHECKED BY	DATE				
2 PLACES	± 0.25	\pm ---	ROST ZHANG	2008/06/05	MOLEX INCORPORATED					
1 PLACE	± 0.25	\pm ---	APPROVED BY	DATE						
ANGULAR $\pm 3^\circ$		DRAFT WHERE APPLICABLE MUST REMAIN WITHIN DIMENSIONS		MATERIAL NO.		DOCUMENT NO.		SHEET NO.		
A		A3		1050570001		SD-105057-001		1 OF 1		
THIS DRAWING CONTAINS INFORMATION THAT IS PROPRIETARY TO MOLEX INCORPORATED AND SHOULD NOT BE USED WITHOUT WRITTEN PERMISSION										