



DESCRIPTION

PT6955 is an LED Controller driven on a 1/4 to 1/7 duty factor. Twelve/nine segment output lines, 4 to 7 grid output lines, one display memory, control circuit are all incorporated into a single chip to build a highly reliable peripheral device for a single chip microcomputer. Serial data is fed to PT6955 via a three-line serial interface. Housed in a 24-pin SOP, PT6955's pin assignments and application circuit are optimized for easy PCB Layout and cost saving advantages.

FEATURES

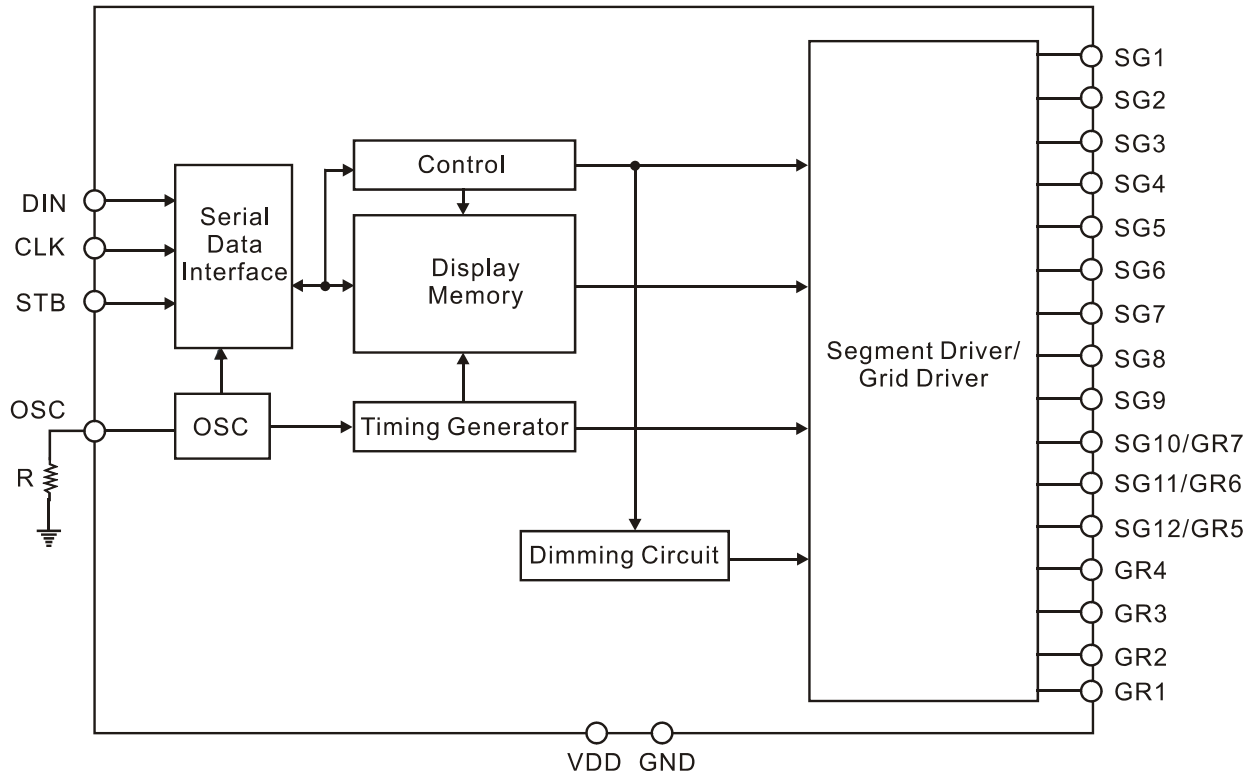
- CMOS Technology
- Low Power Consumption
- 8-Step Dimming Circuitry
- Serial Interface for Clock, Data Input, Strobe Pins
- Available in 24-pin, SOP

APPLICATION

- Micro-computer Peripheral Device



BLOCK DIAGRAM

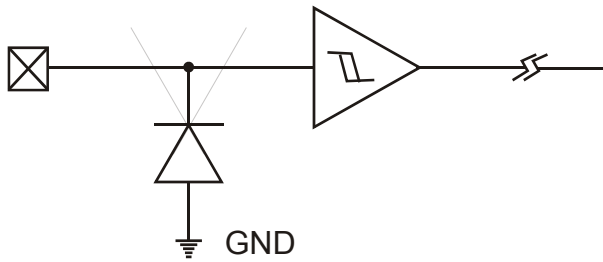




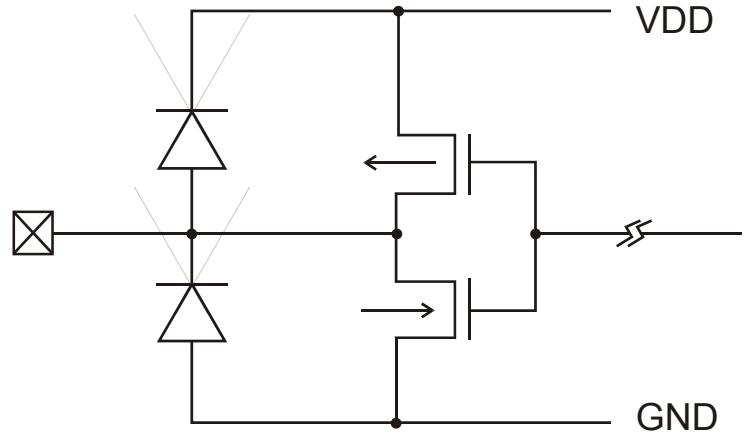
INPUT/OUTPUT PORT CONFIGURATION

The schematic diagrams of the input and output circuit of the logic section are shown below.

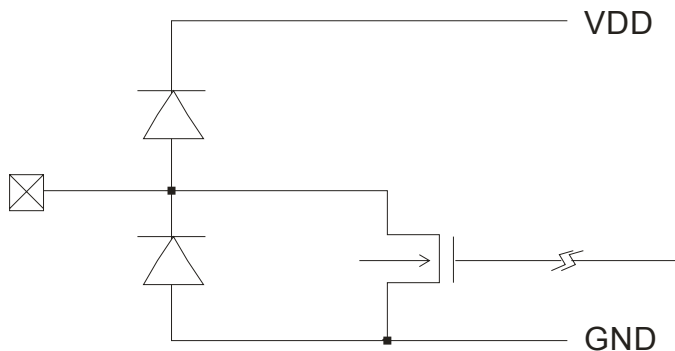
Input Pins: CLK, STB & DIN



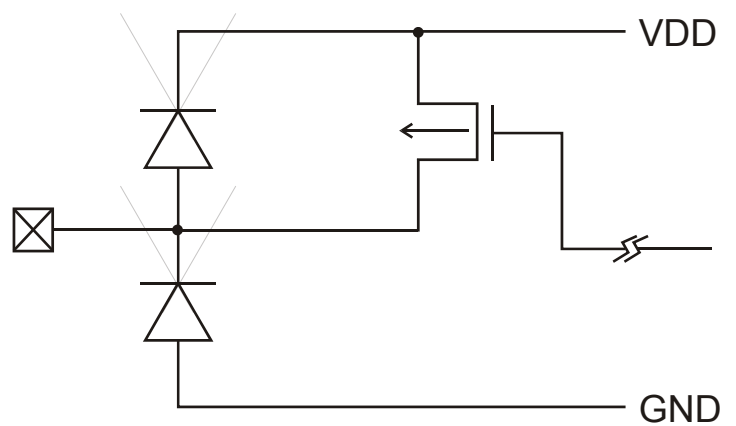
Output Pins: SG10/GR7, SG11/GR6, SG12/GR5



Output Pins: GR1 to GR4

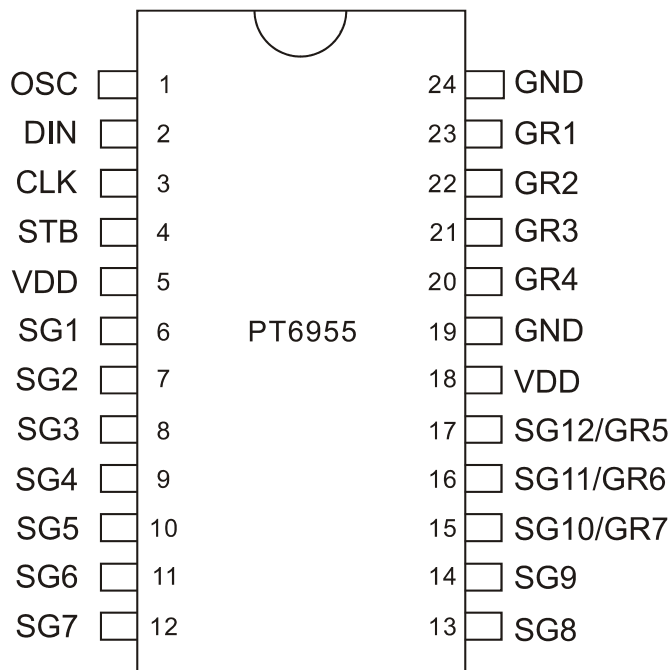


Output Pins: SG1 to SG9





PIN CONFIGURATION



PIN DESCRIPTION

Pin Name	I/O	Description	Pin No.
OSC	I	Oscillator Input Pin A resistor is connected to this pin to determine the oscillation frequency	1
DIN	I	Data Input Pin This pin inputs serial data at the rising edge of the shift clock (starting from the lower bit)	2
CLK	I	Clock Input Pin This pin reads serial data at the rising edge.	3
STB	I	Serial Interface Strobe Pin The data input after the STB has fallen is processed as a command. When this pin is "HIGH", CLK is ignored.	4
VDD	-	Power Supply	5, 18
SG1 ~ SG9	O	Segment Output Pins (p-channel, open drain)	6 ~ 14
SG10/GR7 ~ SG12/GR5	O	Segment Output Pin/Grid Output Pin (CMOS Output)	15 ~ 17
GND	-	Ground Pin	19, 24
GR4 ~ GR1	O	Grid Output Pins (n-channel, open drain)	20 ~ 23



FUNCTION DESCRIPTION

COMMANDS

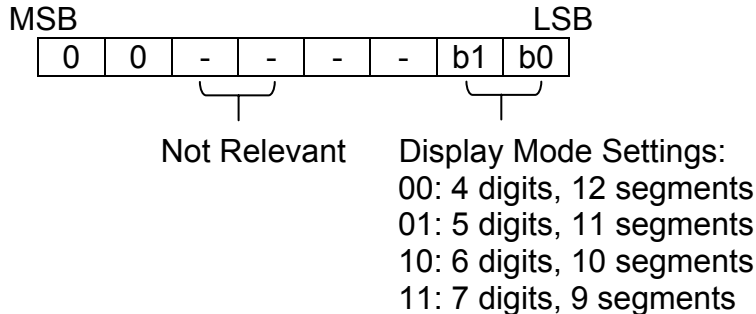
A command is the first byte (b0 to b7) inputted to PT6955 via the DIN Pin after STB Pin has changed from “HIGH” to “LOW” State. If for some reason the STB Pin is set to “HIGH” while data or commands are being transmitted, the serial communication is initialized, and the data/commands being transmitted are considered invalid.

COMMAND 1: DISPLAY MODE SETTING COMMANDS

PT6955 provides 4 display mode settings as shown in the diagram below: As stated earlier a command is the first one byte (b0 to b7) transmitted to PT6955 via the DIN Pin when STB is “LOW”. However, for these commands, Bit No. 3 to Bit No.6 (b2 to b5) are ignored, Bit No.7 & Bit No.8 (b6 to b7) are given a value of “0”.

The Display Mode Setting Commands determine the number of segments and grids to be used (1/4 to 1/7 duty, 12 to 9 segments). When these commands are executed, the display is forcibly turned off. A display command “ON” must be executed in order to resume display. If the same mode setting is selected, no command execution is take place, therefore, nothing happens.

When Power is turned “ON”, the 7-Grid, 9-Segment Mode is selected.

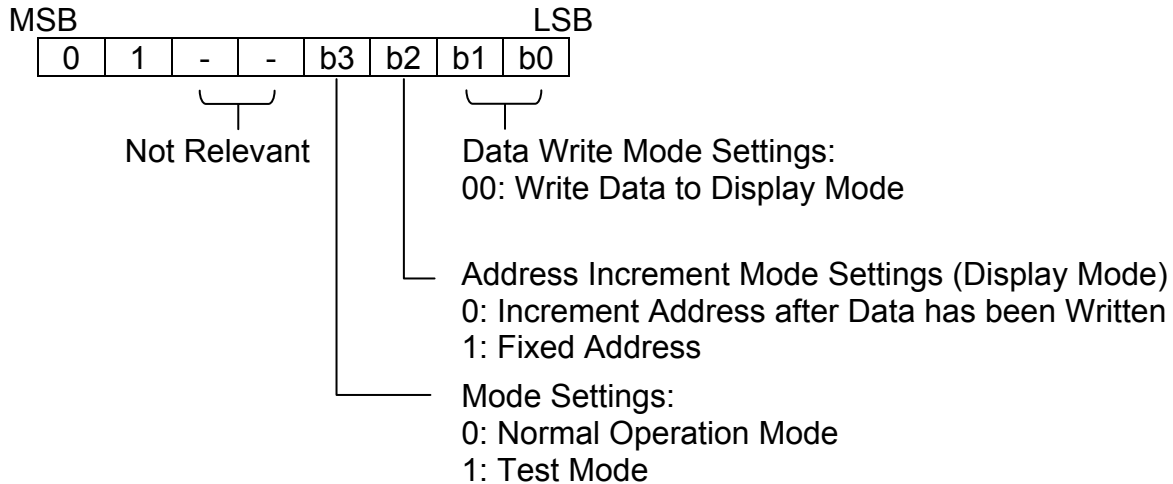




COMMAND 2: DATA SETTING COMMANDS

The Data Setting Commands executes the Data Write Mode for PT6955. The Data Setting Command, the bits 5 and 6 (b4, b5) are ignored, bit 7 (b6) is given the value of "1" while bit 8 (b7) is given the value of "0". Please refer to the diagram below.

When power is turned ON, bit 4 to bit 1 (b3 to b0) are given the value of "0".



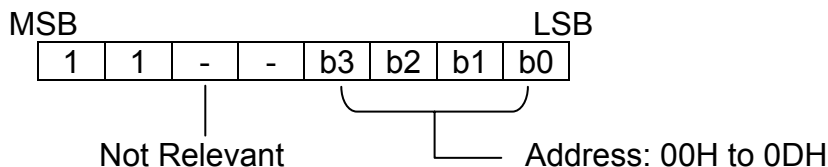


LED Driver IC **PT6955**

COMMAND 3: ADDRESS SETTING COMMANDS

Address Setting Commands are used to set the address of the display memory. The address is considered valid if it has a value of “00H” to 0DH”. If the address is set to 0EH or higher, the data is ignored until a valid address is set. When power is turned ON, the address is set at “00H”.

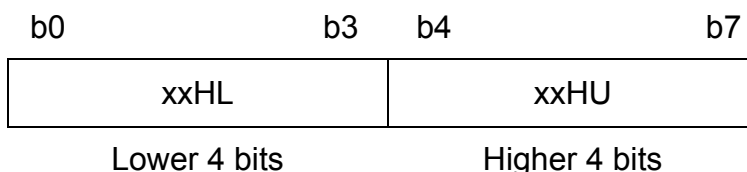
Please refer to the diagram below.



Display Mode and RAM Address

Data transmitted from an external device to PT6955 via the serial interface are stored in the Display RAM and are assigned addresses. The RAM Addresses of PT6955 are given below in 8 bits unit.

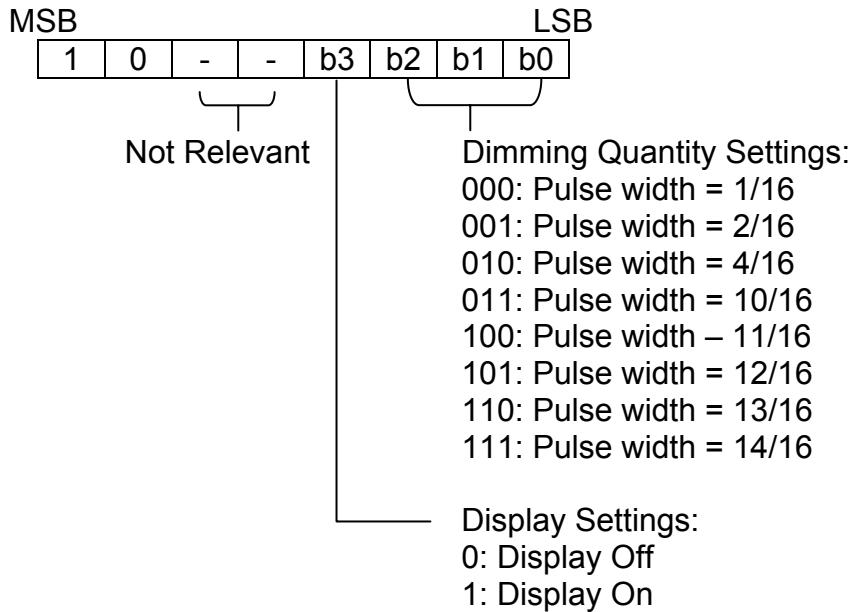
SG1	SG4	SG5	SG8	SG9	SG12	
00HL	00HU		01HL			DIG1
02HL	02HU		03HL			DIG2
04HL	04HU		05HL			DIG3
06HL	06HU		07HL			DIG4
08HL	08HU		09HL			DIG5
0AHL	0AHU		0BHL			DIG6
0CHL	0CHU		0DHL			DIG7





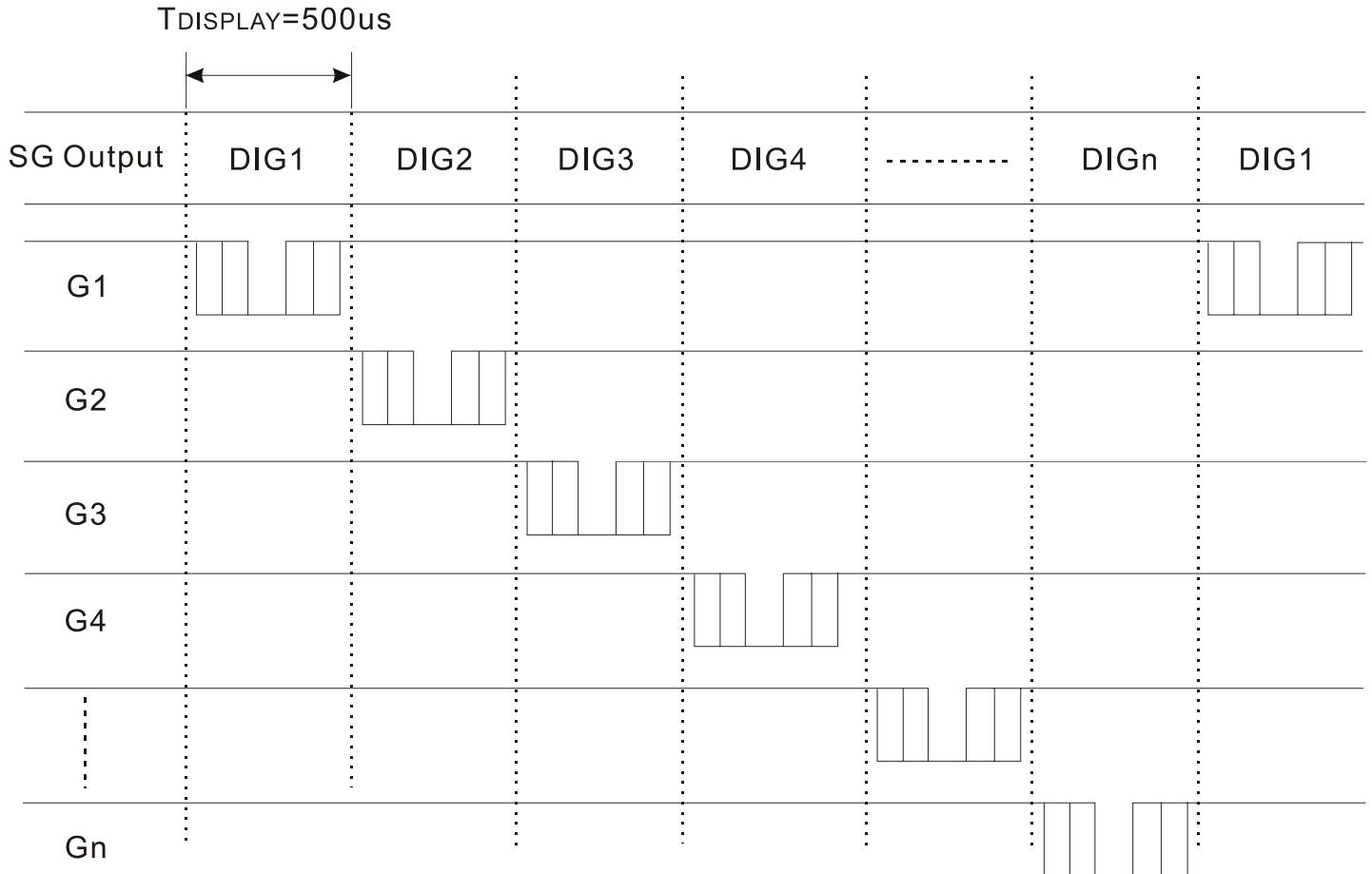
COMMAND 4: DISPLAY CONTROL COMMANDS

The Display Control Commands are used to turn ON or OFF a display. It also used to set the pulse width. Please refer to the diagram below. When the power is turned ON, a 1/16 pulse width is selected and the displayed is turned OFF.





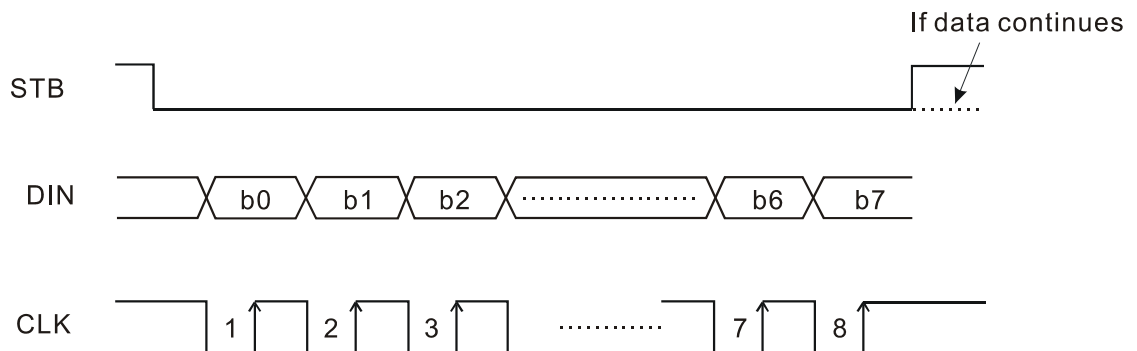
DISPLAY TIMING WAVEFORM



SERIAL COMMUNICATION FORMAT

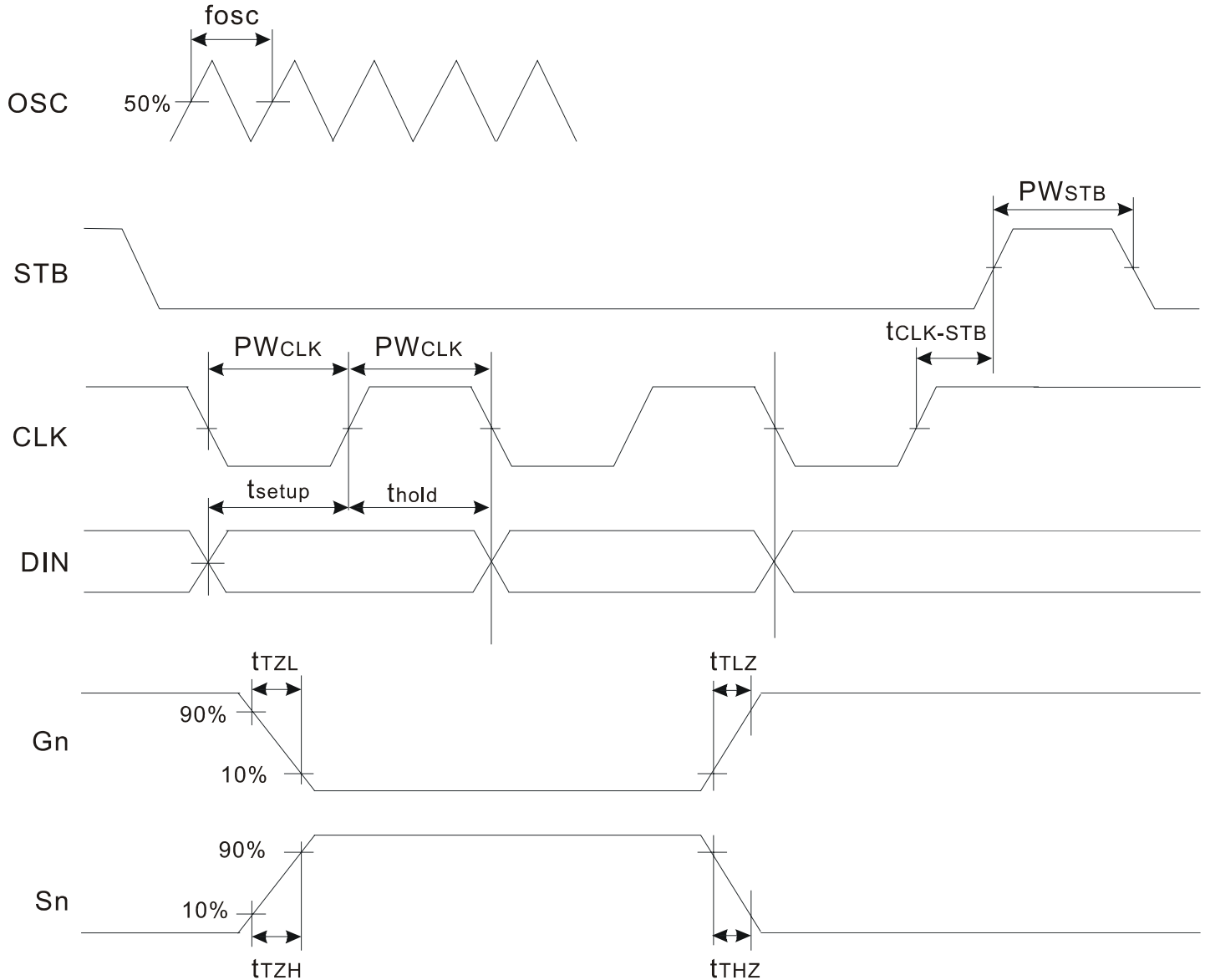
The following diagram shows the PT6955 serial communication format.

Reception (Data/Command Write)





SWITCHING CHARACTERISTICS WAVEFORM



where:

PW_{CLK} (Clock Pulse Width) $\geq 400ns$

t_{setup} (Data Setup Time) $\geq 100ns$

$t_{CLK-STB}$ (Clock - Strobe Time) $\geq 1\mu s$

t_{ZH} (Rise Time) $\leq 1\mu s$

$t_{ZL} \leq 1\mu s$

PW_{STB} (Strobe Pulse Width) $\geq 1\mu s$

t_{hold} (Data Hold Time) $\geq 100ns$

t_{THZ} (Fall Time) $\leq 10\mu s$

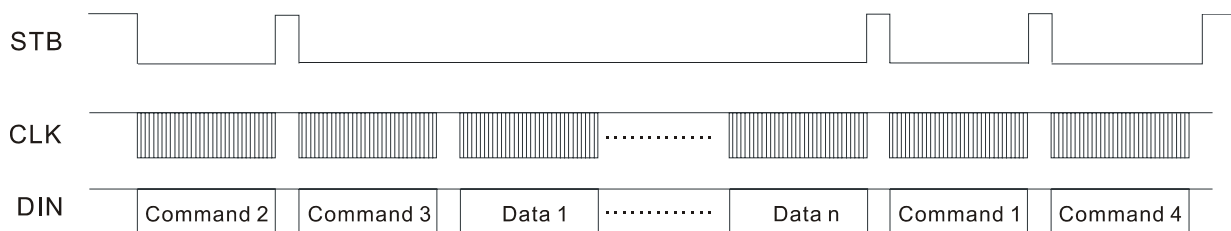
f_{osc} = Oscillation Frequency

$t_{TLZ} \leq 10\mu s$



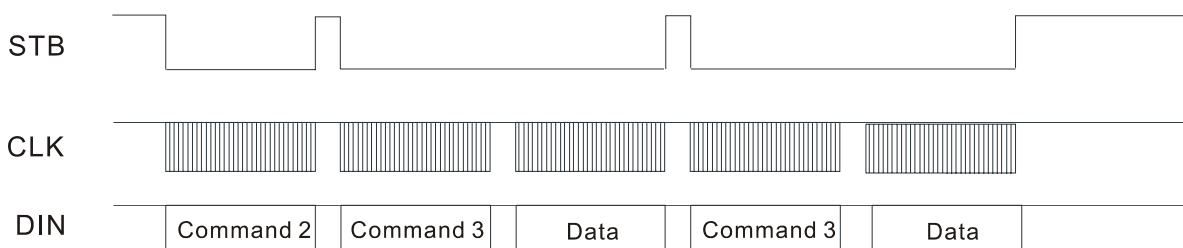
APPLICATIONS

Display memory is updated by incrementing addresses. Please refer to the following diagram.



where: Command 1: Display Mode Setting Command
 Command 2: Data Setting Command
 Command 3: Address Setting Command
 Data 1 to n : Transfer Display Data (14 Bytes max.)
 Command 4: Display Control Command

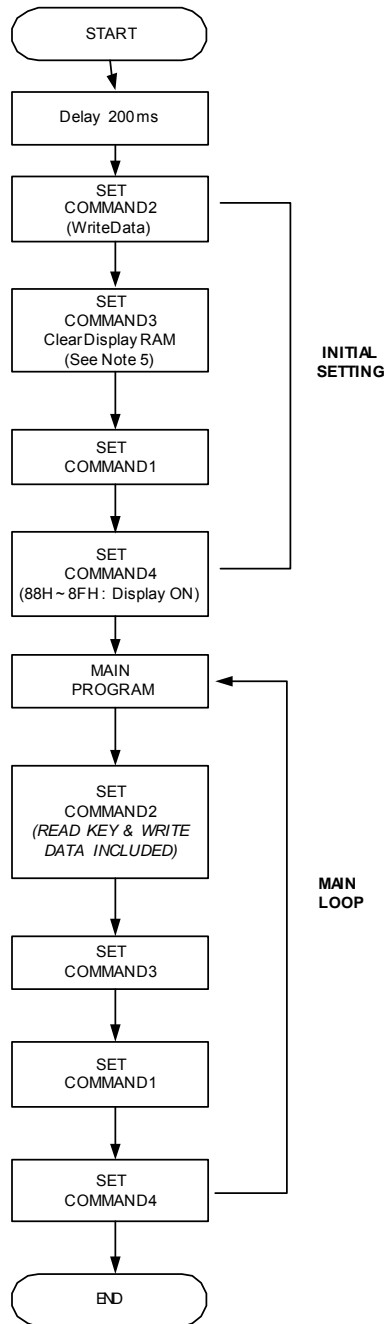
The following diagram shows the waveforms when updating specific addresses.



where: Command 2: Data Setting Command
 Command 3: Address Setting Command
 Data: Display Data



RECOMMENDED SOFTWARE FOLWCHART

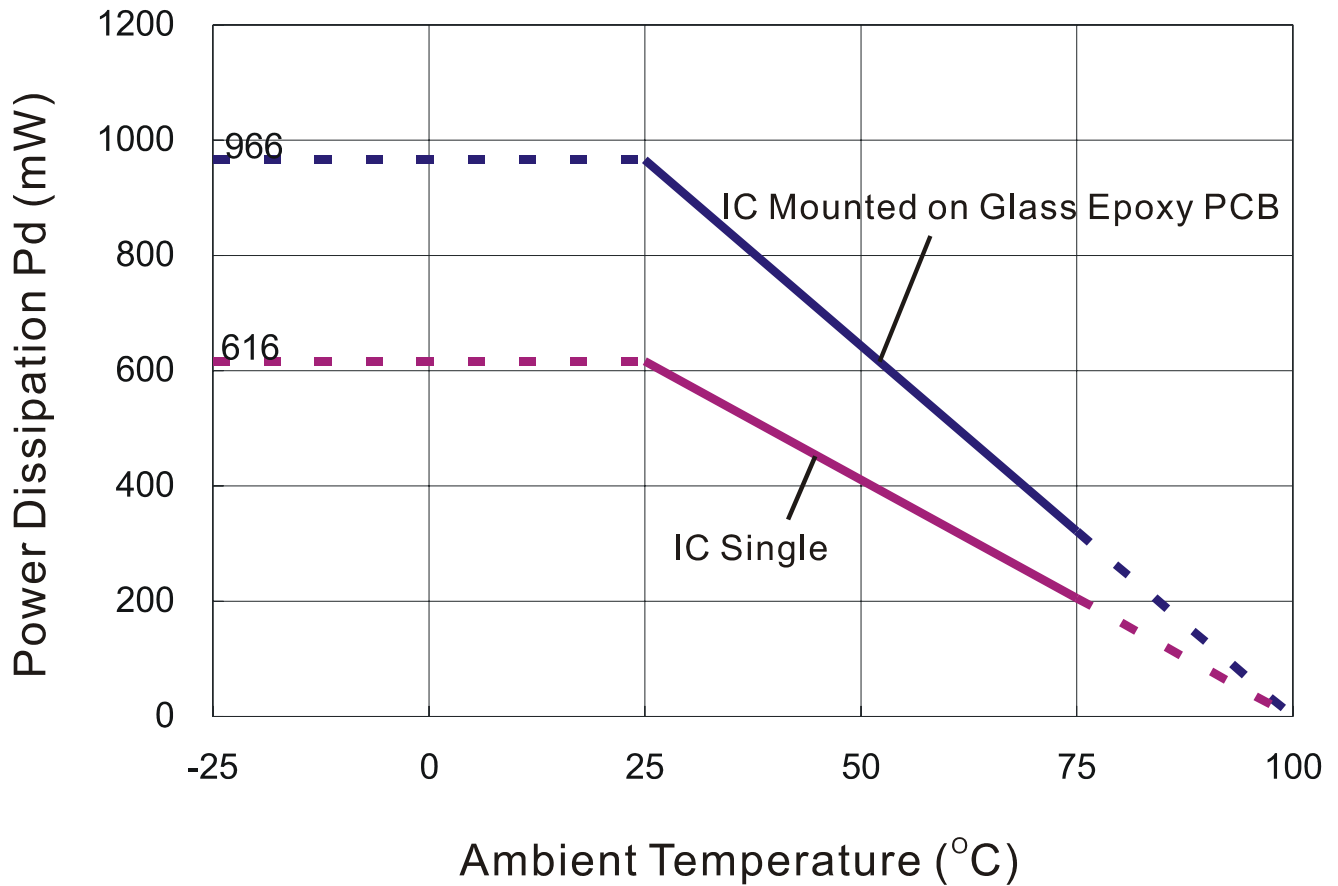


Notes:

1. Command 1: Display Mode Commands
2. Command 2: Data Setting Commands
3. Command 3: Address Setting Commands
4. Command 4: Display Control Commands
5. When IC power is applied for the first time, the contents of the Display RAM are not defined; thus, it is strongly suggested that the contents of the Display RAM must be cleared during the initial setting.



SOP 24L (300MIL) THERMAL PERFORMANCE IN STILL AIR
JUNCTION TEMPERATURE: 100





ABSOLUTE MAXIMUM RATINGS

(Unless otherwise stated, Ta=25 , GND=0V)

Parameter	Symbol	Rating	Units
Supply Voltage	VDD	-0.5 to +7.0	V
Logic Input Voltage	VI	-0.5 to VDD+0.5	V
Driver Output Current/Pin	IOLGR	+250	mA
	IOHSG	-50	mA
Maximum Driver Output Current/Total	ITOTAL	400	mA
Operating Temperature	Topr	-40 ~ +85	
Storage Temperature	Tstg	-65 ~ +150	

RECOMMENDED OPERATING RANGE

(Unless otherwise stated, Topr=-40 to +85 , GND=0V)

Parameter	Symbol	Min.	Typ.	Max.	Unit
Logic Supply Voltage	VDD	4.5	5	5.5	V
Dynamic Current (see note)	IDDdyn	-	-	5	mA
High-Level Input Voltage	VIH	0.8VDD	-	VDD	V
Low-Level Input Voltage	VIL	0	-	0.3VDD	V

Note: Test Condition: Set Display Control Commands = 80H (Display Turn Off State)



LED Driver IC

PT6955

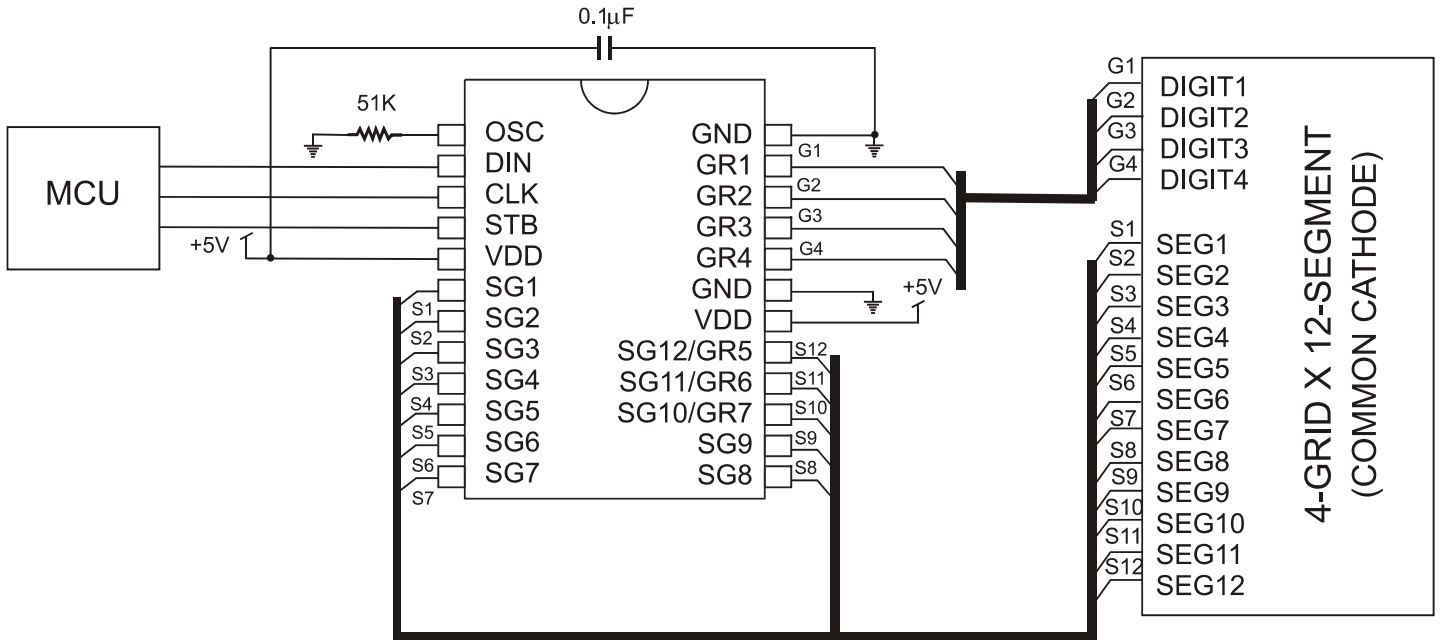
ELECTRICAL CHARACTERISTICS

(Unless otherwise stated, VDD=5V, GND=0V, Ta=25)

Parameter	Symbol	Test Condition	Min.	Typ.	Max.	Unit
High-Level Output Current	IOHSG(1)	VO=VDD-1V SG1 to SG9, SG10/GR7 to SG12/GR5	-10	-14	-30	mA
	IOHSG(2)	VO=VDD-2V SG1 to SG9, SG10/GR7 to SG12/GR5	-20	-25	-50	mA
Low-Level Output Current	IOLGR	VO=0.3V GR1 to GR4, SG10/GR7 to SG12/GR5	100	140	-	mA
Segment High-Level Output Current Tolerance	ITOLSG	VO=VDD-1V SG1 to SG9, SG10/GR7 to SG12/GR5	-	-	±5	%
High-Level Input Voltage	VIH	-	0.8VDD	-	-	V
Low-Level Input Voltage	VIL	-	-	-	0.3VDD	V
Oscillation Frequency	fosc	R=51KΩ	350	500	650	KHz



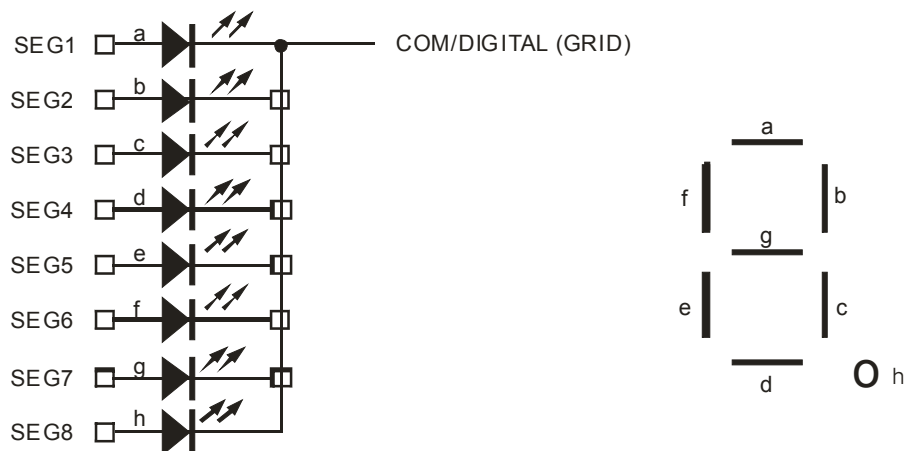
APPLICATION CIRCUIT



Notes:

1. The capacitor (0.1µF) connected between the GND and VDD Pins must be located as near as possible to the PT6955 chip.
2. The PT6955 power supply is separate from the application system power supply.

COMMON CATHODE TYPE LED PANEL



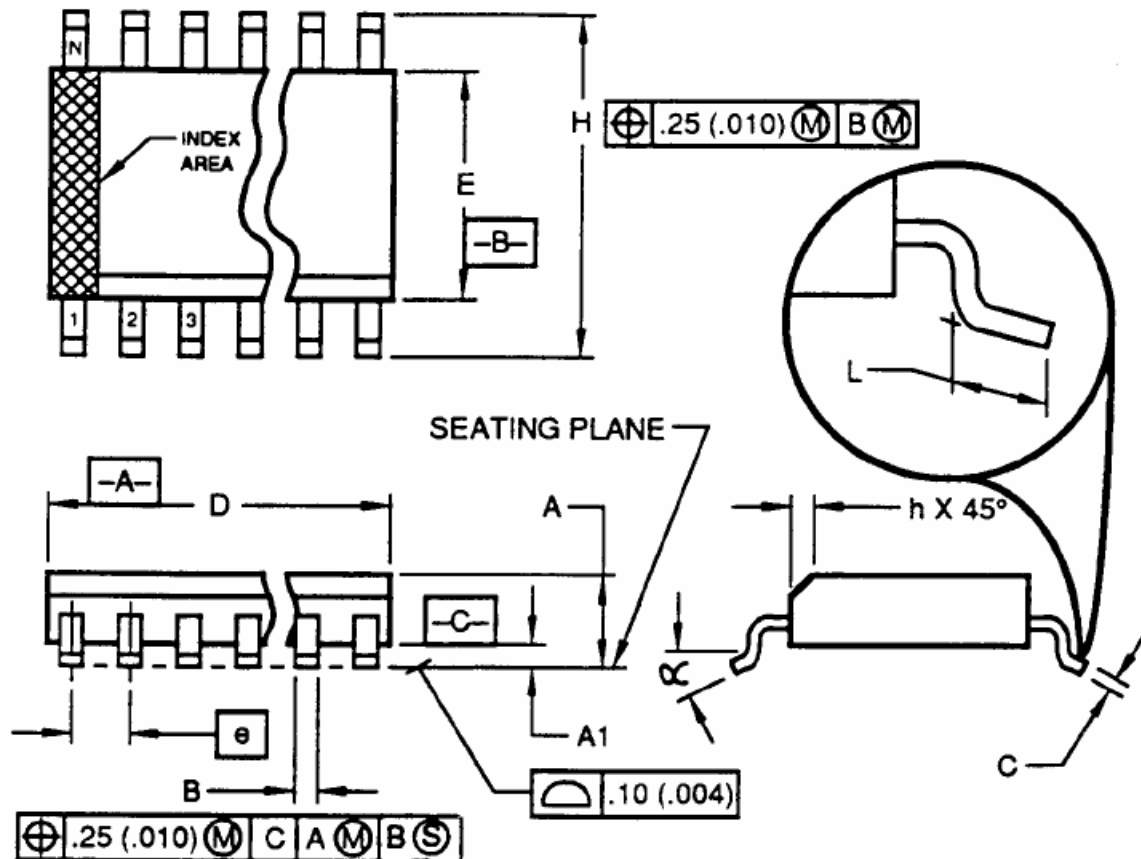


ORDER INFORMATION

Valid Part Number	Package Type	Top Code
PT6955	24pins, SOP, 300mil	PT6955



PACKAGE INFORMATION
24 PINS, SOP, 300 MIL



Symbols	Min.	Nom.	Max.
A	2.35		2.65
A1	0.10		0.30
B	0.33		0.51
C	0.23		0.32
D	15.20		15.60
E	7.40		7.60
e	1.27 bsc.		
H	10.00		10.65
h	0.25		0.75
L	0.40		1.27
	0°		8°



LED Driver IC

PT6955

Notes:

1. Dimensioning and tolerancing per ANSI Y 14.5-1982.
 2. Dimension "D" does not include mold flash, protrusions or gate burrs. Mold Flash, protrusion or gate burrs shall not exceed 0.15mm (0.006 in) per side.
 3. Dimension "E" does not include interlead flash protrusions. Interlead flash or protrusions shall not exceed 0.25 mm (0.010 in) per side.
 4. The chamfer on the body is optional. If it is not present, a visual index feature must be located within the crosshatched area.
 5. "L" is the length of the terminal for soldering to a substrate.
 6. "N" is the number of terminal position. (N=24)
 7. The lead width "B" as measured 0.36 mm (0.014 in) or greater above the seating plane, shall not exceed a maximum value of 0.61mm (0.24 in).
 8. Controlling dimension: MILLIMETER.
 9. Refer to JEDEC MS-013, Variation AD.
- JEDEC is the trademark of JEDEC SOLID STATE TECHNOLOGY ASSOCIATION.