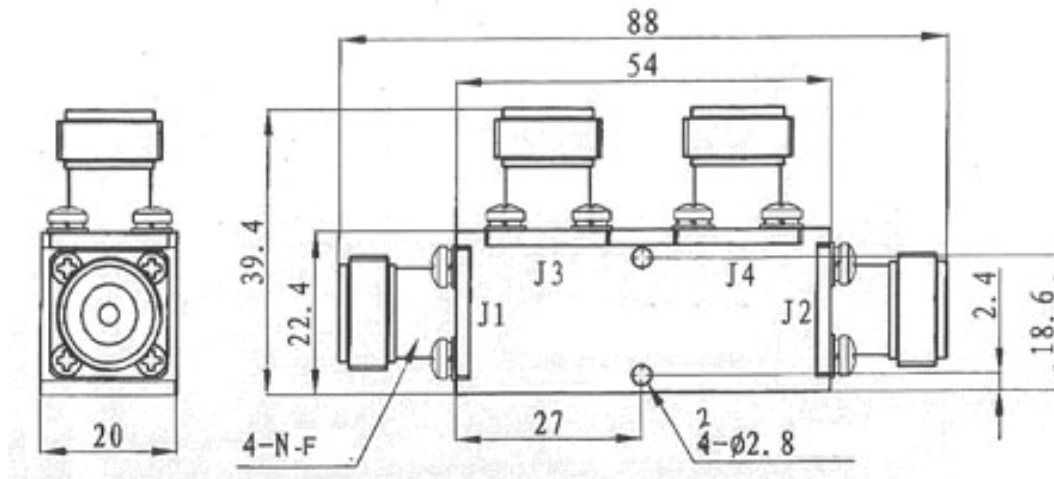


## Coaxial Dual Directional Coupler

P/N: JXWBOH-T-3680-3720-20

Frequency Range(MHz)	3680-3720
Forward Coupling(dB)	20±0.5
Reverse Coupling(dB)	20±0.5
Coupling Flatness(dB)	±0.3
Insertion Loss(dB)	0.5 max
VSWR	1.2 max
Impedance(Ohm)	50
Directivity(dB)	18 min
Power Handling(W)	25 CW
Connector	N-Female
Operating Temperature(°C)	-10 ~ +50
Storage Temperature(°C)	-55 ~ +85

### Outline Drawing (Size: mm)



For current data sheets, please contact: [sales@aacix.com](mailto:sales@aacix.com)