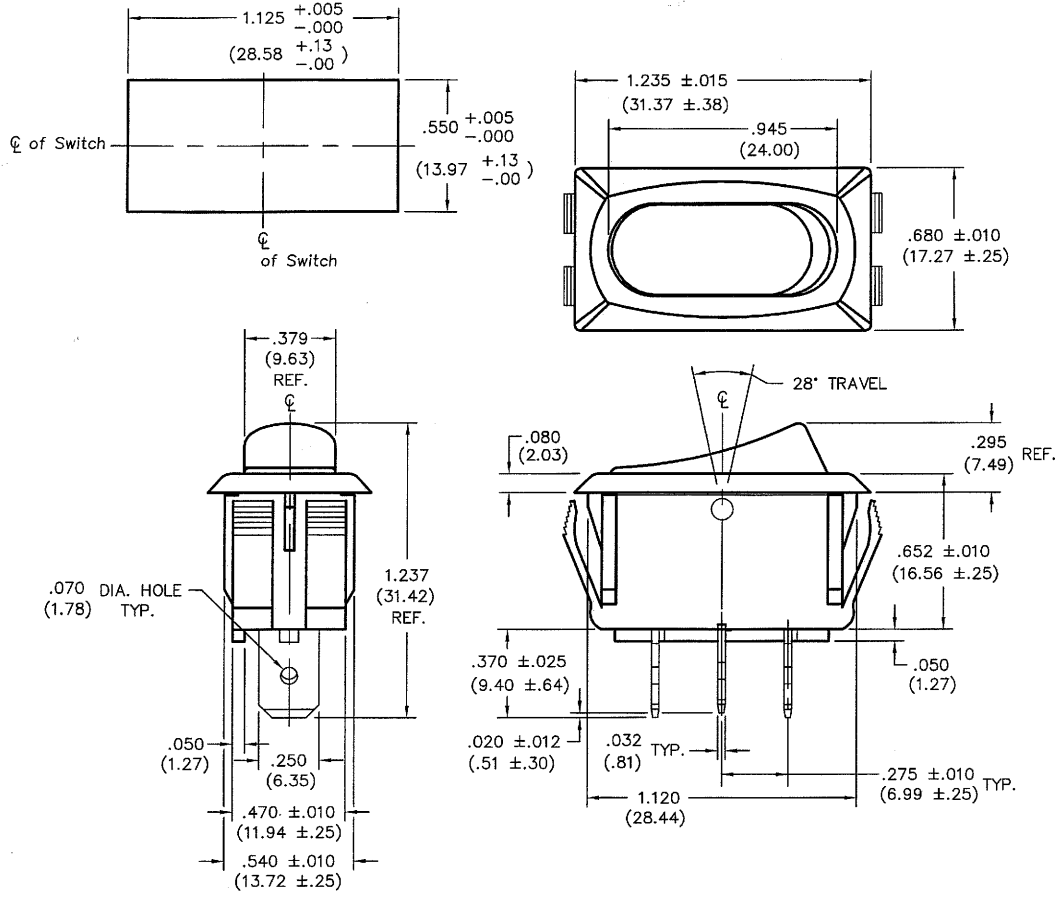


PANEL PIERCING



P/N	MATERIAL COLOR
GRS-2012	
-2503	Button- Black BK-000 Housing- Black BK-000
-2504	Button- White WT-913 Housing- White WT-913

1 2 3 4 5 6 7 8 9 10

FORM-B4
REVISIONS
0
RELEASED: 8-13-2008
DGW
AUG 13 2008

CW INDUSTRIES
Southampton, Pa. 18966

TOLERANCES UNLESS OTHERWISE SPECIFIED

2 Place Decimal ±.010	METRIC
3 Place Decimal ±.005	1 Place Dec. ±.25mm
Angles ±1°	2 Place Dec. ±.13mm

Made for: CW IND.
Drawn by: DGW 8-13-2008
Checked by: G. Guld 8-15-08
Approval: G. Guld 8-15-08

PDF File Made

Title: **ROCKER SWITCH S.P.D.T. ASSEMBLY STYLE LINE**
1.125" x .550" PANEL

Division: **SWITCH**
Dwg. No. **GRS-2012-2503 & -2504**

MASTER